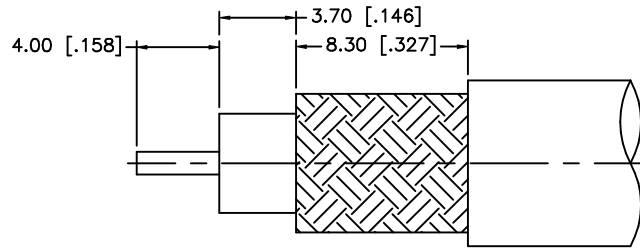
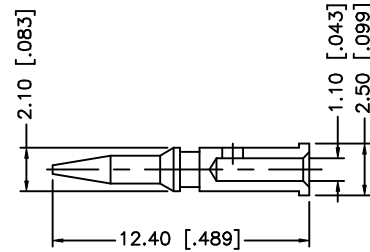
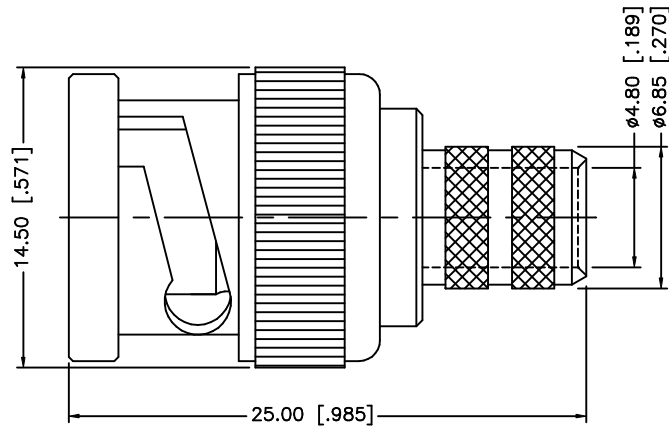


REV.	DATE	DESCRIPTION
A	01/10/04	UPDATE DRAWING FORMAT
B	11/16/05	ADD CRIMP NOTES



RECOMMENDED CABLE STRIPPING DIM'S



NOTE:

1. CRIMPED FERRULE
HEX CRIMP SIZE .320"
2. CRIMPED CONTACT PIN,
HEX CRIMP SIZE .068"

8				
7				
6				
5				
4	FERRULE	COPPER	NICKEL	1
3	CONTACT PIN	BRASS	GOLD	1
2	INSULATOR	DELTRIN	NATURAL	1
1	BODY	BRASS	NICKEL	1
	DESCRIPTION	MATERIAL	FINISH	QTY

UNLESS OTHERWISE SPECIFIED DIMENSIONS ARE IN MILLIMETERS. DIMENSIONS IN [] ARE IN INCHES AND FOR CUSTOMER REFERENCE ONLY.

UNLESS OTHERWISE SPECIFIED TOLERANCES FOR MILLIMETERS ARE:
 0.5 - 8mm ± 0.20mm
 8 - 30mm ± 0.40mm
 30 - 120mm ± 0.50mm

UNLESS OTHERWISE SPECIFIED TOLERANCES FOR INCHES ARE:
 .020 - .315 = ± 0.007"
 .315 - 1.180 = ± 0.015"
 1.180 - 4.724 = ± 0.020"

DO NOT SCALE DRAWING

APPROVALS		DATE
DRAWN	G.R.S.	11/16/05
CHECKED		
ISSUED		
SHEET	1 OF 1	
CAD FILE	C:/112/112508.DWG	

Amphenol Connex

PART DESCRIPTION
BNC CRIMP PLUG RG-6/U CABLE - 75 ohms

PART NO.
112508

DWG. NO.	112508.DWG	REV.	B	SIZE	A	SCALE	NA
----------	------------	------	---	------	---	-------	----