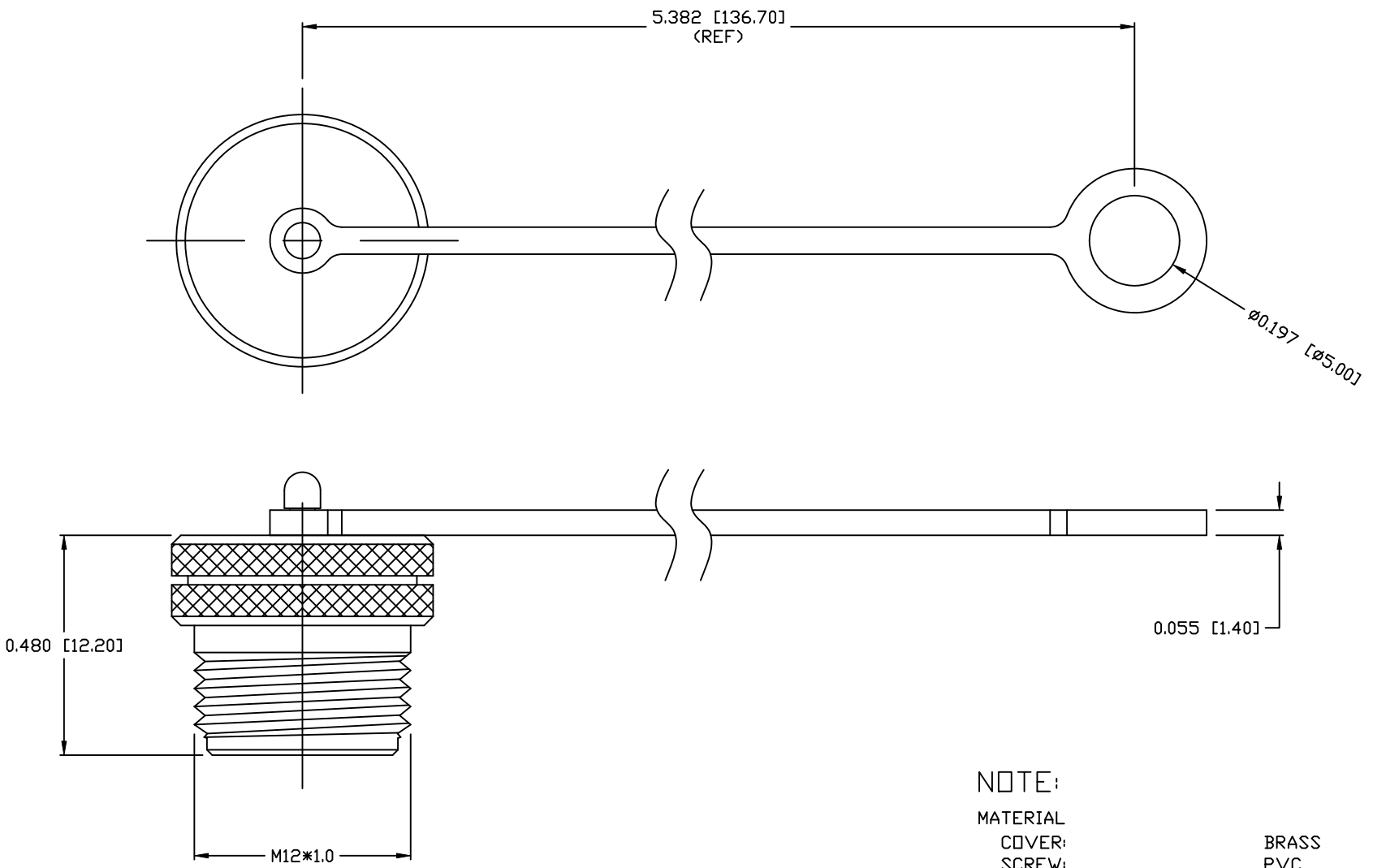


DESCRIPTION: M12 FEMALE DUST COVER WITH TETHER



NOTE:  
 MATERIAL  
 COVER: BRASS  
 SCREW: PVC  
 TETHER: PVC  
 FINISH  
 COVER: NICKEL PLATED  
 NUT: NICKEL PLATED

\*\* USED WITH M12 FEMALE IP67 CIRCULAR CONNECTORS \*\*

RoHS COMPLIANT

DO NOT SCALE FROM DRAWING



THESE DRAWINGS AND SPECIFICATIONS ARE THE PROPERTY OF NorComp AND SHALL NOT BE REPRODUCED, COPIED OR USED AS THE BASIS FOR THE MANUFACTURE OR SALE OF APPARATUS WITHOUT WRITTEN PERMISSION.

DRAWN: M. SIGMON DATE: 09-16-15  
 CHECKED: DATE:

NorComp

SCALE: N.T.S.	SHEET 1 OF 1	REV 0
DWG NO. 8582T3M-DC		