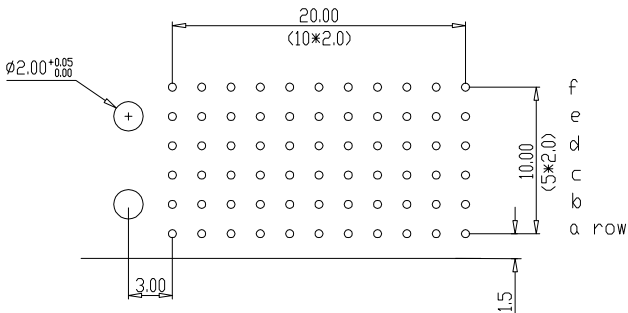
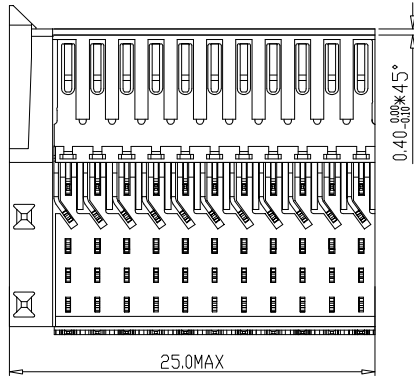
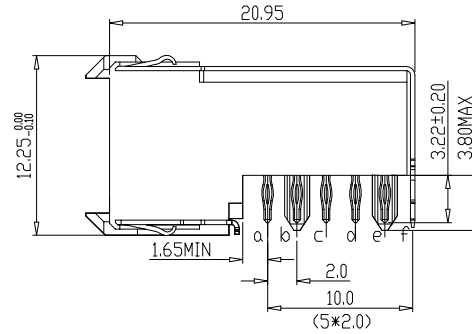
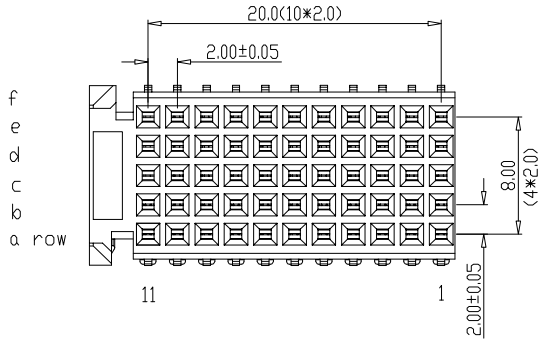




Tous droits strictement reserves. Reproduction ou communication a des tiers interdite sous quelque forme que ce soit sans autorisation ecrite du proprietaire. Propriete de c FCI. Droits de reproduction FCI.

All rights strictly reserved. Reproduction or issue to third parties in any form whatever is not permitted without written authority from the proprietor. Property of FCI. Copyright FCI.



LAY-OUT  
P.C.B.- HOLE

**PERFORMANCE CHARACTERISTICS**

- CURRENT RATING 1.5A AT 20°C (FULLY LOADED)
- 1 A AT 70°C (FULLY LOADED)
- RATED VOLTAGE : 500 V AC (CONT /CONT)
- OPERATING TEMPERATURE : -55°C TO 125°C
- CONTACT RESISTANCE 20 MΩ MAX
- INSERTION FORCE : 0.75N MAX/CONT
- EXTRACTION FORCE : 0.15N MIN/CONT
- INSULATION RESISTANCE : 10<sup>4</sup> MΩ MIN

- NOTES 1. LEAD FREE INDICATOR (LF=LEAD FREE)
- PERFORMANCE LEVEL INDICATOR (REF DWG NO.BSC 201844.003)
2. THIS PRODUCT IS CSA APPROVED. THIS PRODUCT IS UL RECOGNIZED.
  3. FOR RECOMMENDED PTH DIMENSIONS REFER DRAWING : BS.A.201572.001
  4. THIS PRODUCT (LF) MEETS EUROPEAN UNION DIRECTIVES AND OTHER COUNTRY REGULATIONS AS DESCRIBED IN GS-22-008

rev	ecn no	dr	date
A	CONVERSION REVISION 05	KN	14-09-01
B	105-0085	ALEX B	02-06-05
C	DG05-0278	Kason	02-08-05
D	DG07-0362	Kason	05-09-07
E	DG10-0110	NZ	05-30-10
-	-	-	-
05	BEC 9.3546	R.M	110601

Material		Spec ref			
Mat code		✓	MM		
Heattreat				tolerance	projection
Plating/Finish				1DEC ± 0.2 1DEC 2DEC ± 0.1 2DEC ANGLES ± 1° HOEKEN	
Dr	W.Panis	07-04-92	size A4		
Eng			Scale 2.000		
Chr		Product family MILLIPACS			
Appr		Model Name	ECN		
		Model Revision	REL Level		
	title	MPACS 5+2R RA RCP CONN TYPE C	dwg no BSC201444003		
Pro/E file	catalog no	HM2R03PA5101----	Rev. E		
		CUSTOMER DRAWING	sheet 1 of 1		