

# Product Specification



## Patch Antenna JLT868S25P4C

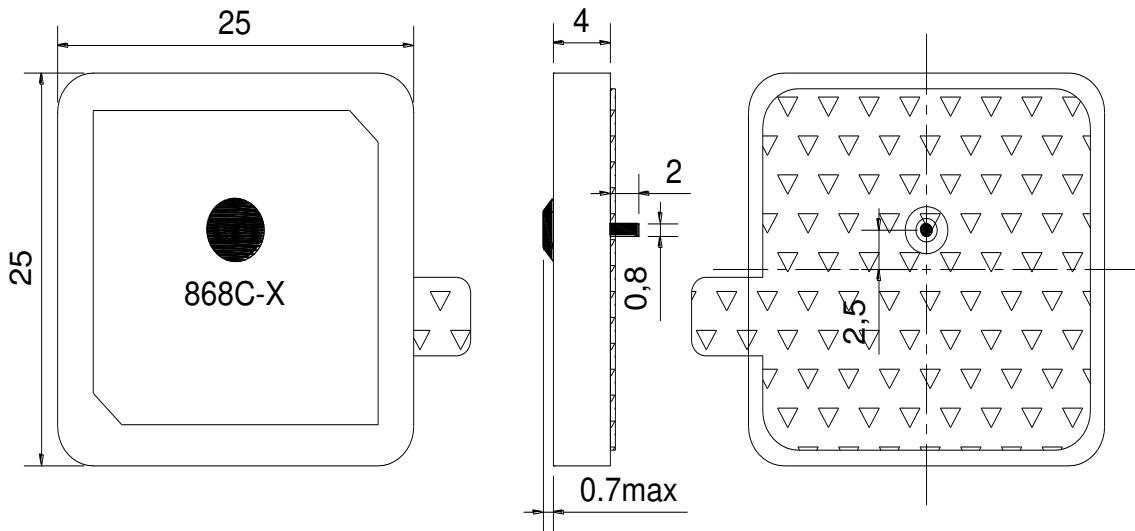
### Feature

- High gain , Compact
- Pin type
- Customization available

### Electrical Specification

Center Frequency	868± 3.0 MHz
Return Loss @ F0	≥ 15dB
Polarization	RHCP
Ground plane	70x70 mm
Impedance	50 Ω
Operation Temperature Range	-40 ~ +85°C

### Mechanical Drawing



The last "X" is the serial number of month

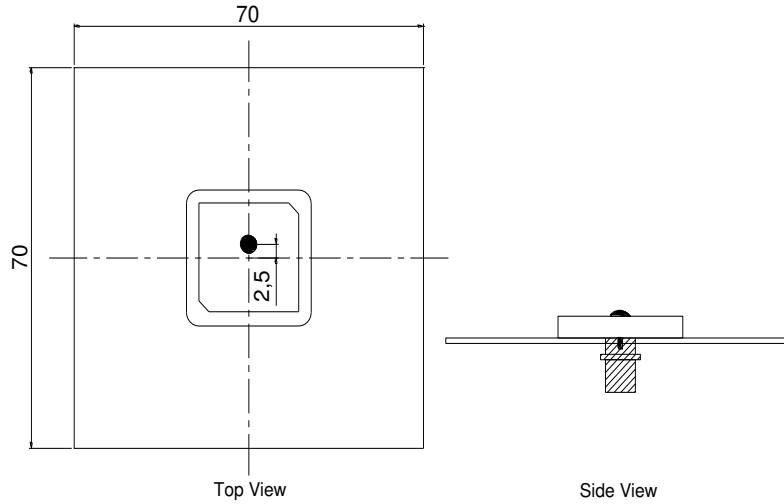
Tolerance Unless Otherwise Specified:±0.30  
Unit: mm

# Product Specification



## Patch Antenna JLT868S25P4C

### Test Fixture



### Characteristics

