

P	LTR	DESCRIPTION	DATE	DWN	APVD
	A2	ADDED PCB LAYOUT IN DRAWING	20AUG2014	YR	MB

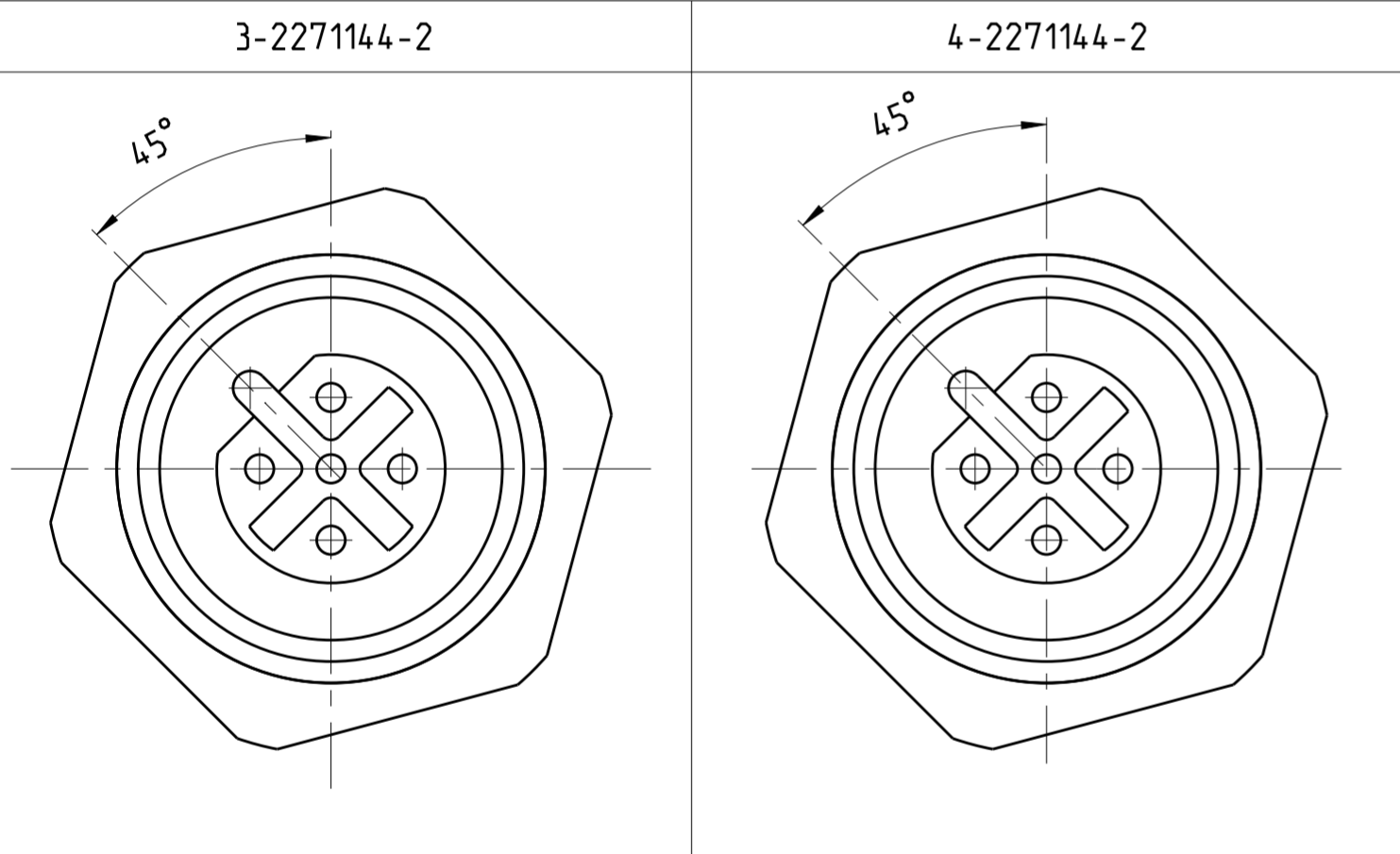
TECHNICAL DATA	3-2271144-2	4-2271144-2
RATED VOLTAGE	250V	125V
RATED IMPULSE VOLTAGE	2500V	1500V
POLLUTION DEGREE	3	3
OVERVOLTAGE CATEGORY	II	II
MATERIAL GROUP	II	II
RATED CURRENT	4A	4A
VOLUME RESISTIVITY	≤ 3mΩ	≤ 3mΩ
DEGREE OF PROTECTION	IP68	IP68
UPPER TEMPERATURE	+85 °C	+85 °C
LOWER TEMPERATURE	-40 °C	-40 °C

MATERIAL: ITEM NO. 1: HOUSING - BRASS, ZINC DIECASTING, NICKEL PLATED
 ITEM NO. 2: CONTACT BODY - PA
 ITEM NO. 3: CONTACT - CuSn (BRONZE)
 CONTACT FINISH - Au (gold)

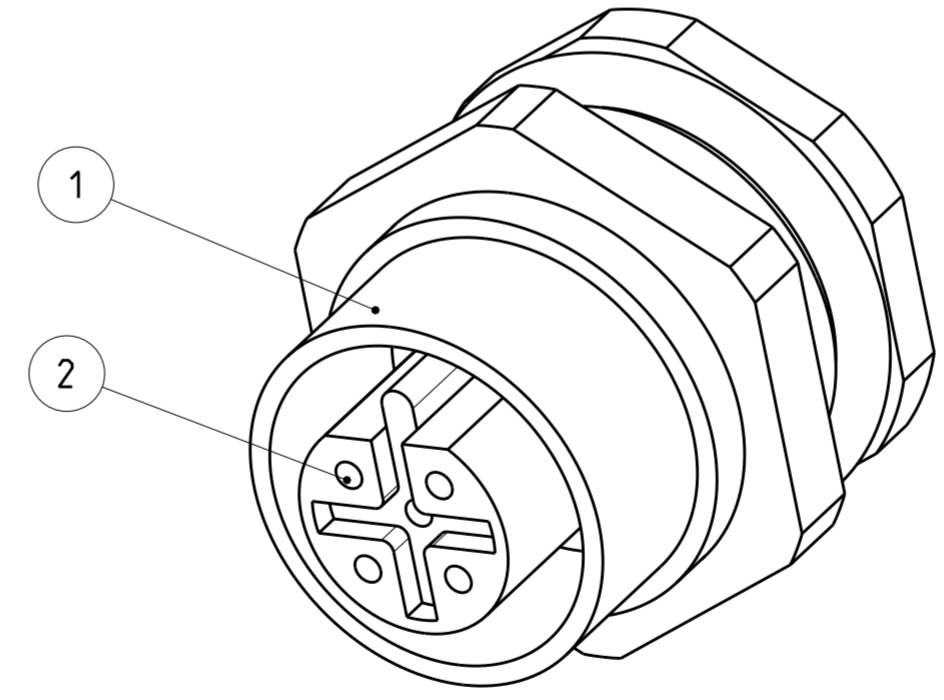
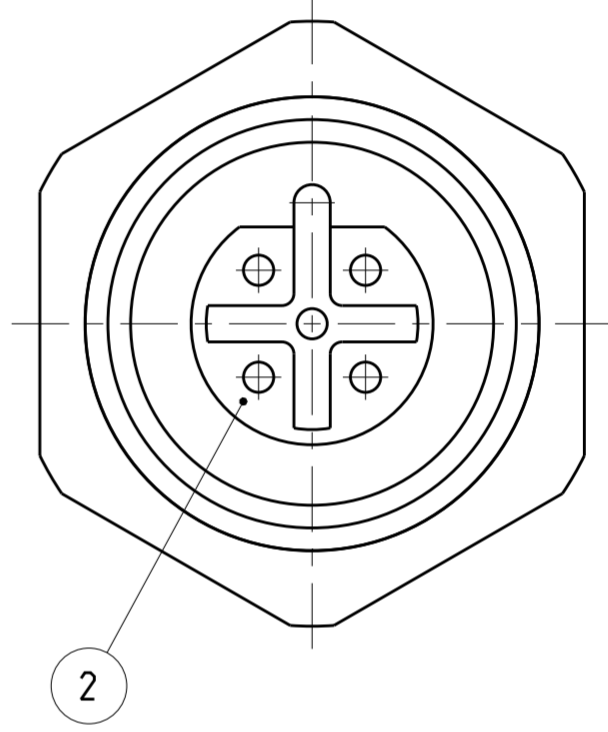
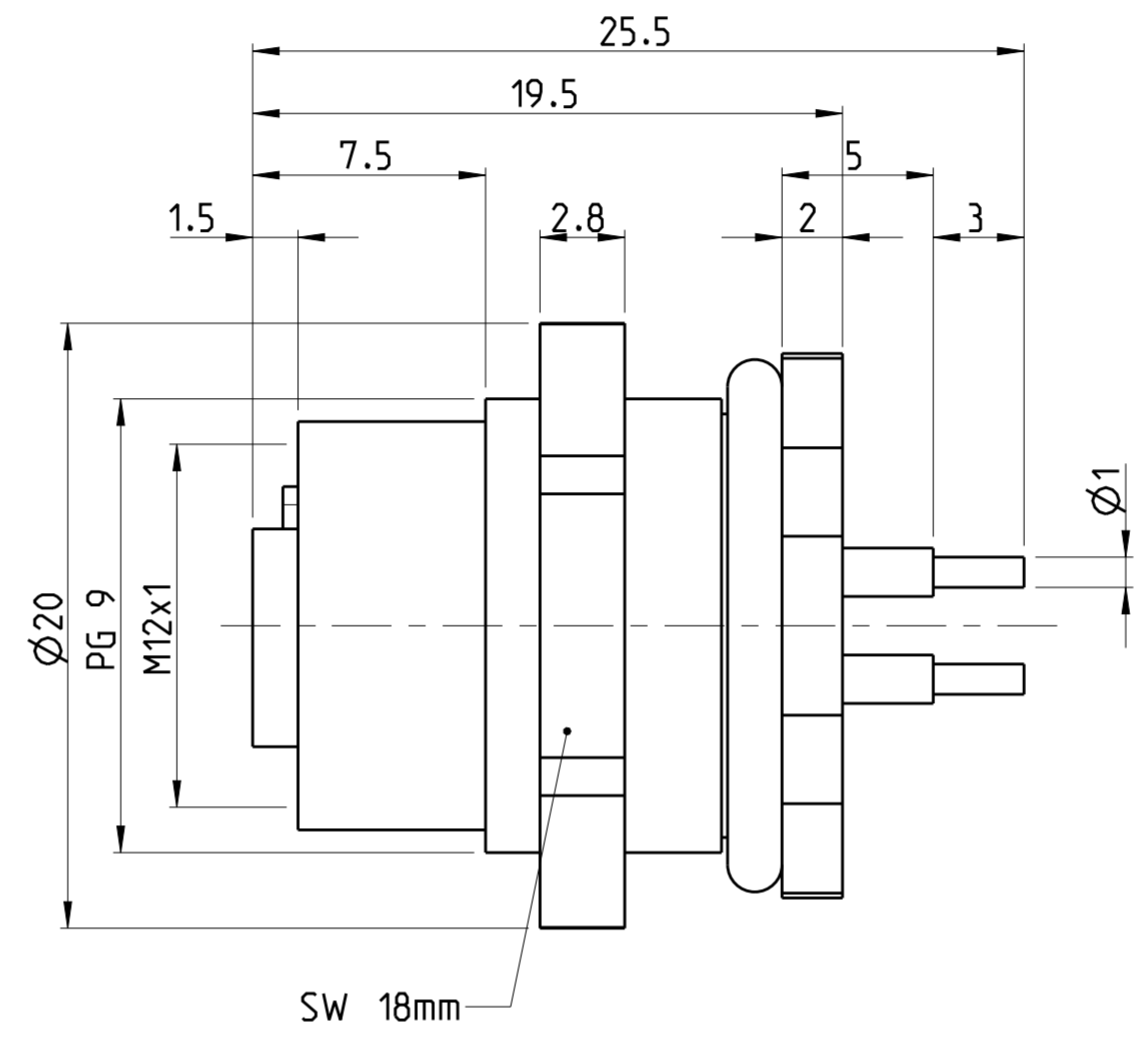
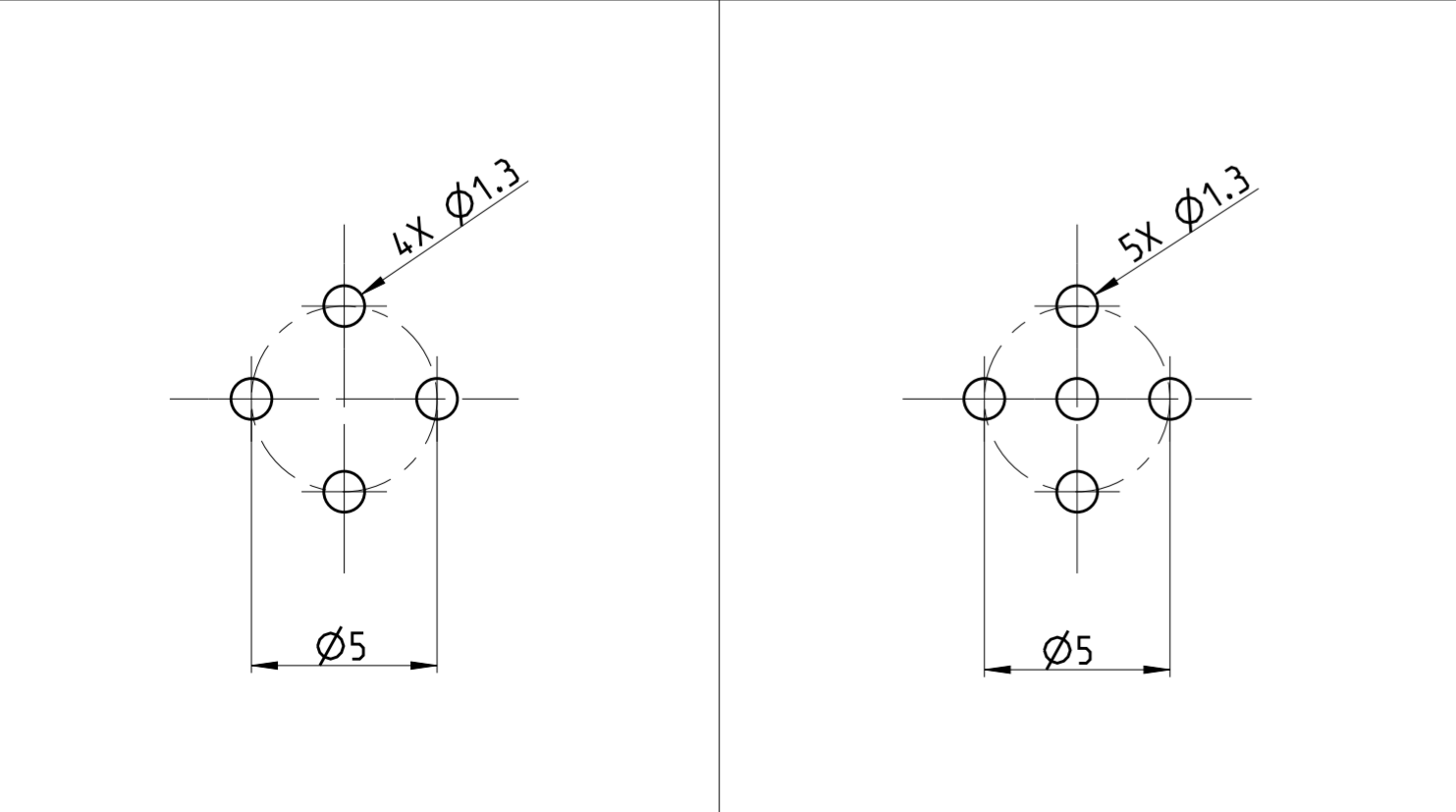
2 ALL DIMENSIONS ARE FOR NOMINAL REFERENCE ONLY UNLESS OTHERWISE STATED

3 **PACKAGING:** 20 PIECE IN A BAG

PIN ARRANGEMENT B-CODING



PCB LAYOUT



3-2 AS SHOWN WIE GEZEICHNET

⚠	5	4-2271144-2
⚠	4	3-2271144-2
MATERIAL	NUMBER OF POLES	TE-PART-NO.

DIESE ZEICHNUNG IST EIN KONTROLLIERTES DOKUMENT. BEMASSUNGEN UND TOLERANZEN GEMAESS GPS (ISO STANDARDS).		DWN YASHKUMAR 15MAY2014
THIS DRAWING IS A CONTROLLED DOCUMENT. DIMENSIONING AND TOLERANCING PER GPS (ISO STANDARDS).		CHK M.STRELOW 15MAY2014
DIMENSIONS: MASSEINHEITEN: (MM)	TOLERANCES UNLESS OTHERWISE SPECIFIED: ALLGEMEINTOLERANZEN	APVD C.SCHREITLINGER 15MAY2014
0 PLC ±	1 PLC ±	PRODUCT SPEC 108-19483
2 PLC ±	3 PLC ±	APPLICATION SPEC 114-32127
4 PLC ±	ANGLES/WINKEL ±	WEIGHT GEWICHT -
MATERIAL SEE NOTES	FINISH/OBERFLÄCHE/FARBE SEE NOTS	Customer Drawing

		TE Connectivity	
		NAME M12 RECEPTACLE, FEMALE, PCB MOUNT, PANEL REAR, STRAIGHT, B-CODED	
SIZE A2	CAGE CODE 00779	DRAWING NO. ZEICHNUNGS-NR. C-2271144	RESTRICTED TO NUR FÜR -
SCALE MASSSTAB 4:1		SHEET BLATT 1 OF 1	REV A2

SIZE ISO 14405 (E)