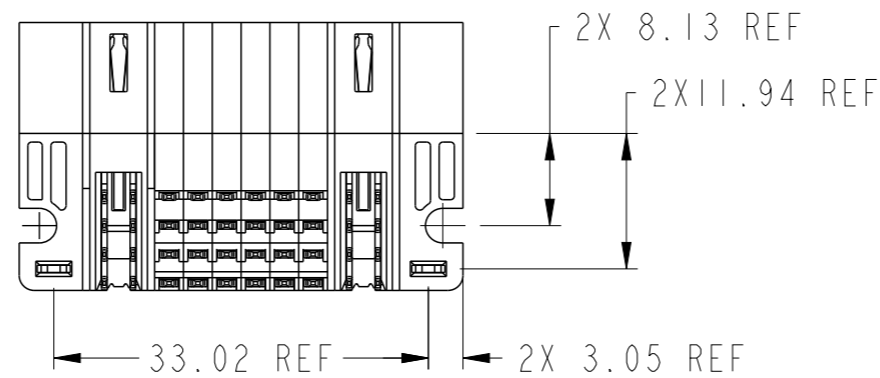
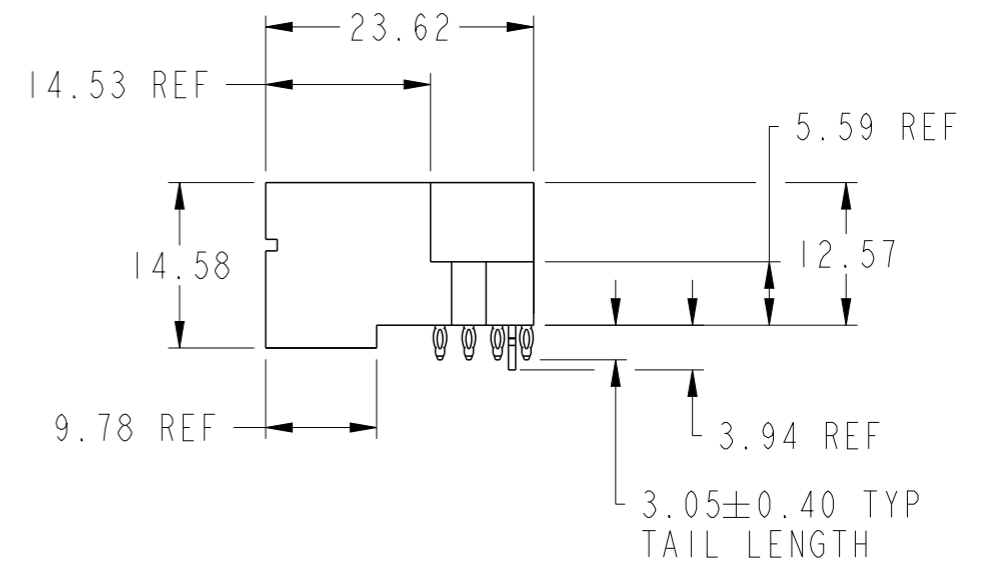
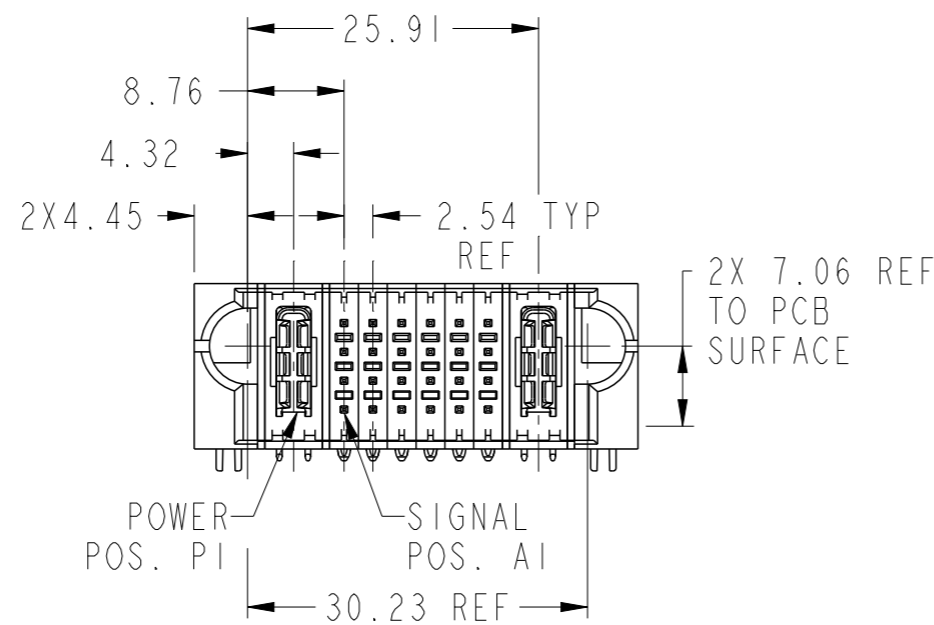
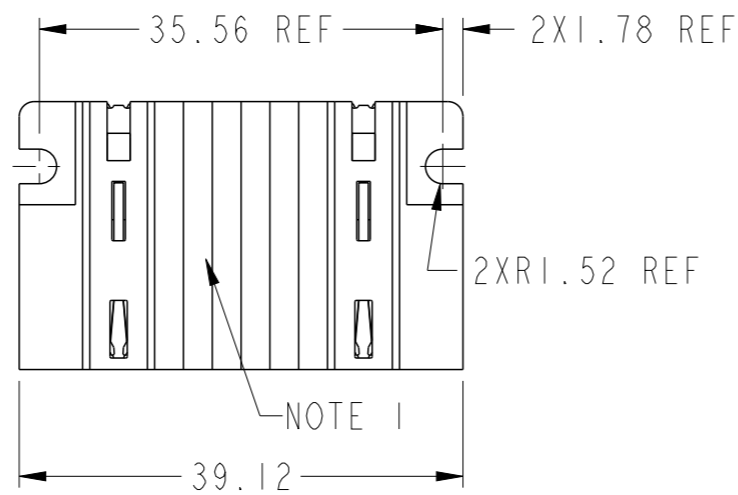
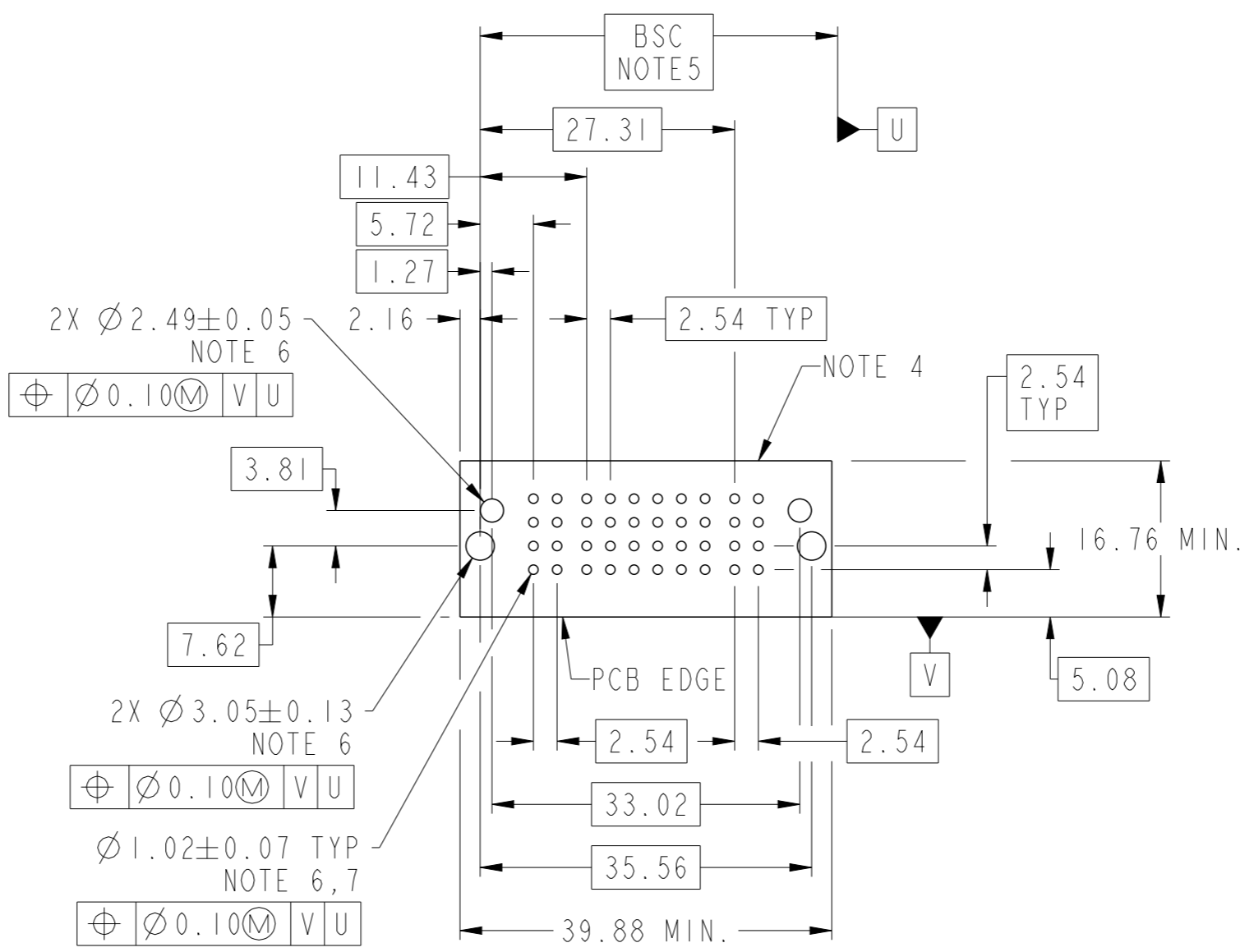


PART NUMBER 10106263-2LUB202LF



spec ref	*	dr	Helen Zhang	2013/08/08	projection	MM	size	A3	scale	3:2	
tolerance std	ASME Y14.5	eng	Xie Bob	2013/10/16			ecn no		-		
TOLERANCES UNLESS OTHERWISE SPECIFIED		chr	Shao-Qi Kuang	2013/10/16			product family		PwrBlade+		rel level
surface	<input checked="" type="checkbox"/> linear <input type="checkbox"/> angular	appr	Pei-Ming Zheng	2013/10/16				IHP + 24S + IHP RA PF HEADER		dwg no 10106263-2LUB202	rev A
ASME Y14.5	linear: 0.X ±0.5, 0.XX ±0.25, 0.XXX ±0.10 angular: 0° ±2°	www.fci.com		cat. no.	Product - Customer Drw			sheet 1 of 3			

PRODUCT NO.	ROWS	POWER		SIGNAL						POWER	
		E1	P1	1	2	3	4	5	6	P2	E2
10106263-2LUB202LF	DCBA	HA	HE	SD	SD	SD	SD	SD	SD	HE	HA



CODE	DESCRIPTION
HA	METAL HOLD DOWN
HE	STD HIGH POWER CONTACT (3.05)
LB	LMFB SIGNAL CONTACT, ROW B (3.05)
SA	STD SIGNAL CONTACT, ROW A (3.05)
SB	STD SIGNAL CONTACT, ROW B (3.05)
SC	STD SIGNAL CONTACT, ROW C (3.05)
SD	STD SIGNAL CONTACT, ROW D (3.05)

dr	Helen Zhang	2013/08/08	projection	MM	size	A3	scale	3:2
eng	Xie Bob	2013/10/16			ecn no		-	
chr	Shao-Qi Kuang	2013/10/16			rel level		Released	
appr	Pei-Ming Zheng	2013/10/16	product family		PwrBlade+		rel level	
			IHP + 24S + IHP			dwg no 10106263-2LUB202		rev A
www.fci.com			cat. no.		Product - Customer Drw			sheet 2 of 3

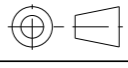
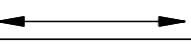

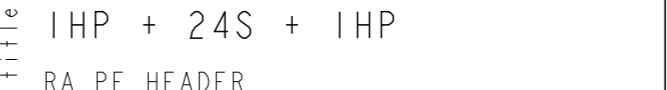
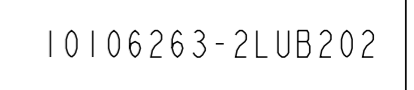
Copyright FCI.

NOTES:

- 1) "FCI", PART NUMBER AND DATE CODE TO BE MARKED ON THIS SURFACE.
THE P/N CAN BE OMITTED IF THERE IS NOT ENOUGH SPACE ON THIS SURFACE.
- 2) MATERIALS:
-HOUSING - GLASS FILLED WITH HIGH TEMP THERMOPLASTIC, UL94V-0.
-SIGNAL CONTACT - COPPER ALLOY.
-POWER CONTACT - HIGH CONDUCTIVITY COPPER ALLOY.
- 3) PLATING SPECIFICATION REFER TO FCI 10123565
- 4) DENOTES CONNECTOR KEEP OUT ZONE.
- 5) DATUM AND BASIC DIMENSIONS WERE ESTABLISHED BY CUSTOMER.
- 6) ALL HOLE DIAMETERS ARE FINISHED HOLE SIZES.
- 7) 1.15±0.025MM DRILLED HOLE PLATED WITH 0.00762MM MIN Sn
OVER 0.0254-0.0762MM Cu PLATING TO ACHIEVE A 1.02±0.07MM HOLE.
- 8) PRODUCT SPECIFICATION REFER TO FCI GS-12-658.
APPLICATION SPECIFICATION REFER TO FCI GS-20-141.
PRODUCT PACKAGED IN TRAYS, REFER TO FCI GS-14-1502.
- 9) A ADDITIONAL LUBRICANT COMPOSED Zonyl PFPE 109
APPLIED TO THE MATING INTERFACE OF THE HIGH POWER
CONTACTS WITH 3-BEAMS .



Copyright FCI.

dr	Helen Zhang	2013/08/08			size	A3	scale	3:2
eng	Xie Bob	2013/10/16			ecn no	-		
chr	Shao-Qi Kuang	2013/10/16			product family	PwrBlade+	rel level	Released
appr	Pei-Ming Zheng	2013/10/16						
www.fci.com		cat. no.	Product - Customer Drw		sheet 3 of 3			