

7

6

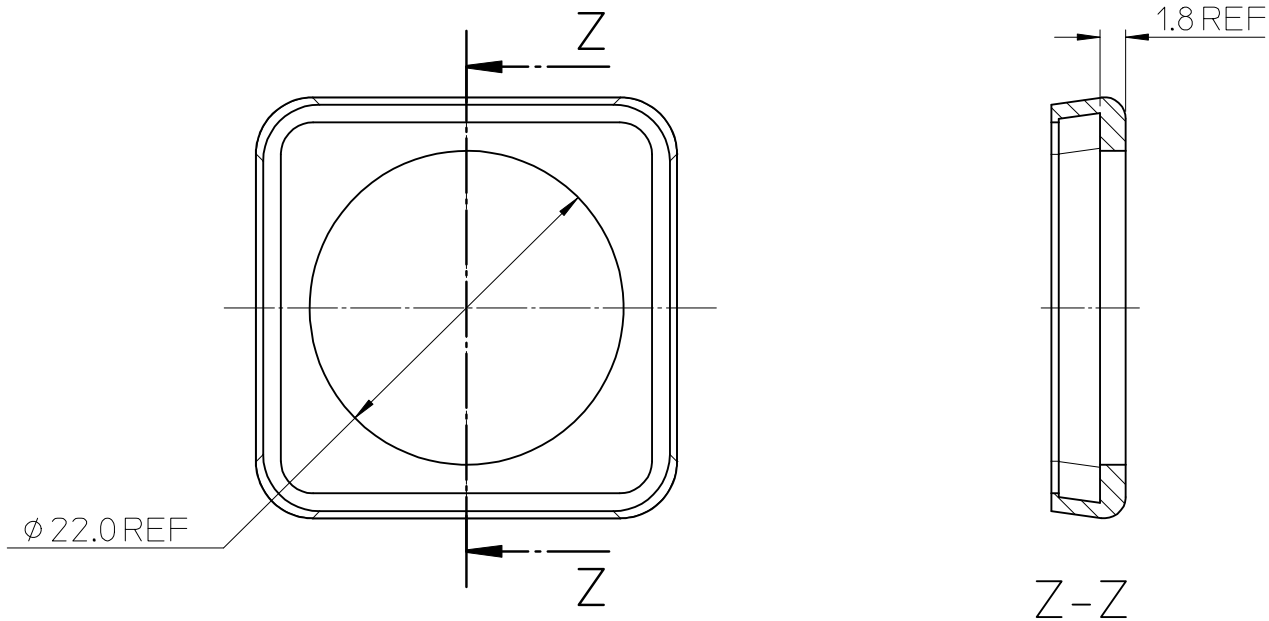
5

4

3

2

1



NOTES:

- 1. MATERIAL: SILICONE
COLOUR: WHITE
- 2. PACKAGING SPEC: PK-121129-001
100 PIECES IN A PLASTIC BAG
- 3. mPm NO: 3011-04

ORIGINAL RELEASE EC NO: IPG2013-1176 DRWN: DSHEA 2013/01/31 CHKD: SMCGREEVY 2013/02/19 APPR: STGRIFFIN 2013/02/28	DESCRIPTION REV	QUALITY SYMBOLS	GENERAL TOLERANCES (UNLESS SPECIFIED)		DIMENSION STYLE MM ONLY		SCALE 2:1	DESIGN UNITS METRIC	THIRD ANGLE PROJECTION	
		$\blacktriangledown = 0$ $\triangleleft = 0$	mm	INCH	DRAWN BY DSHEA	DATE 2013/01/31	TITLE G11 SILICONE PROFILE GASKET 100 PIECES/BAG			
		4 PLACES \pm ---	\pm ---	CHECKED BY SMCGREEVY	DATE 2013/02/19					
		3 PLACES \pm ---	\pm ---	APPROVED BY STGRIFFIN	DATE 2013/02/28	MATERIAL NO. 1211290081		DOCUMENT NO. SD-121129-081	SHEET NO. 1 OF 1	
		2 PLACES ± 0.10	\pm ---	ANGULAR $\pm 2^\circ$		THIS DRAWING CONTAINS INFORMATION THAT IS PROPRIETARY TO MOLEX INCORPORATED AND SHOULD NOT BE USED WITHOUT WRITTEN PERMISSION				
1 PLACE ± 0.20	\pm ---	DRAFT WHERE APPLICABLE MUST REMAIN WITHIN DIMENSIONS								
0 PLACE \pm ---	\pm ---									

6

5

4

3

2

1