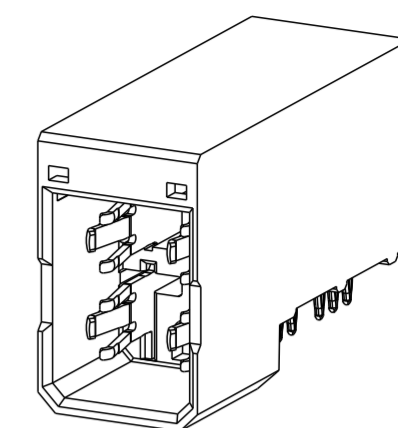
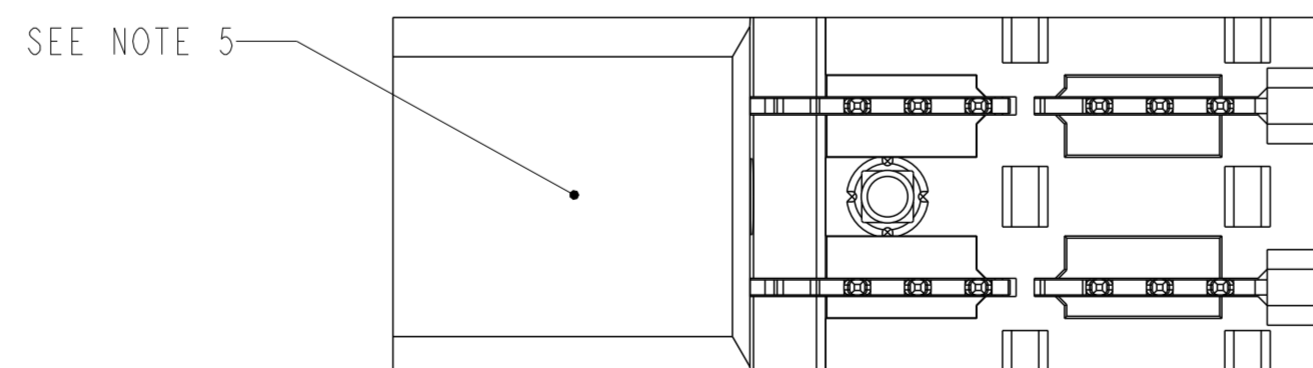
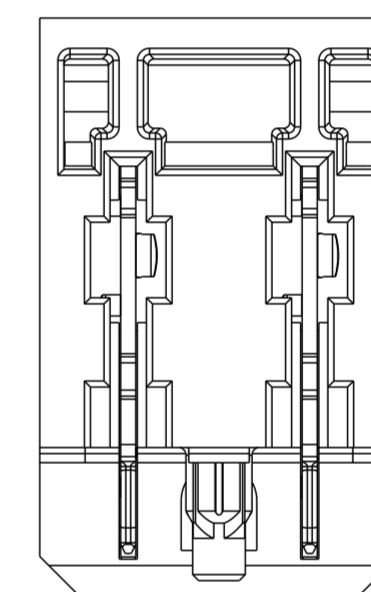
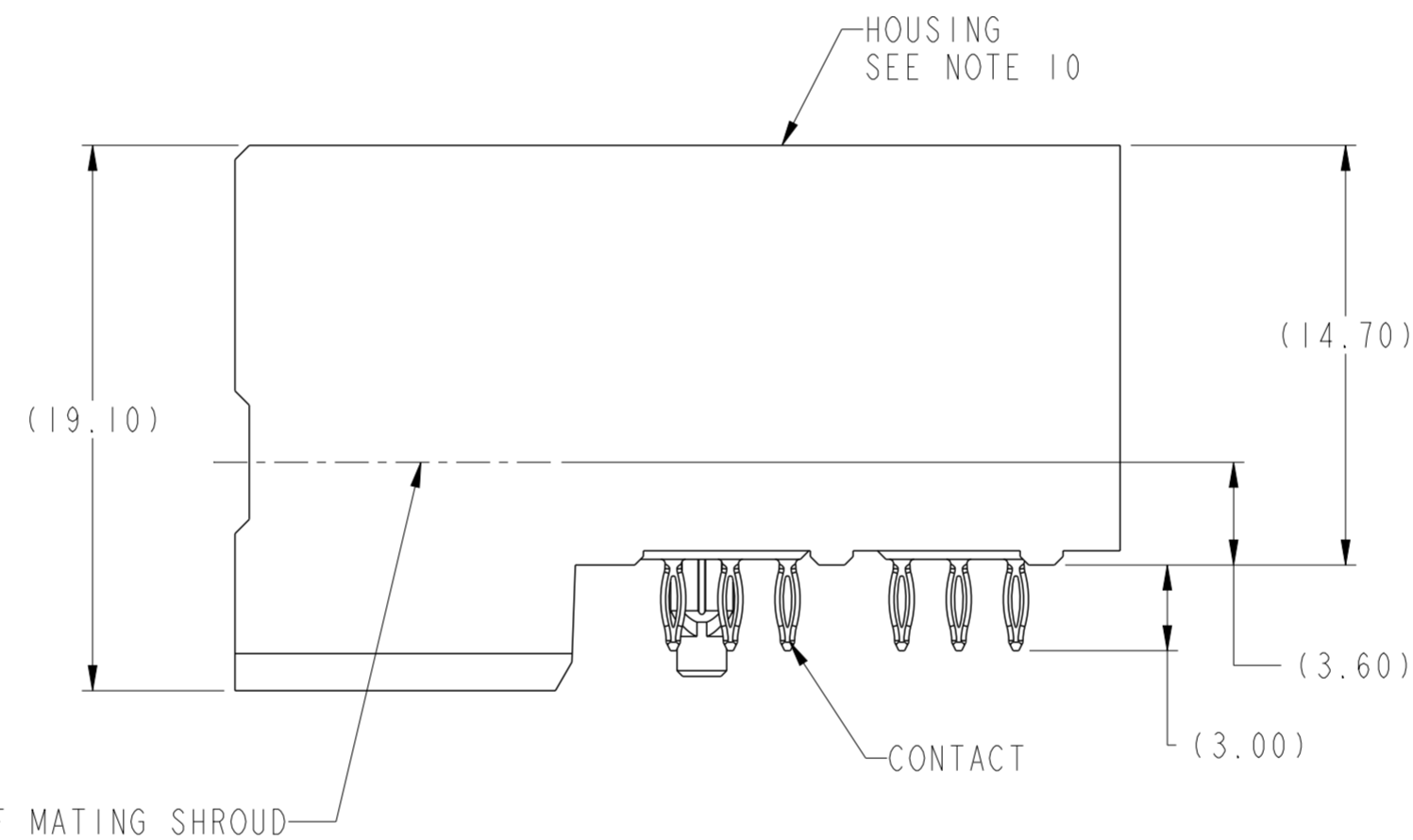
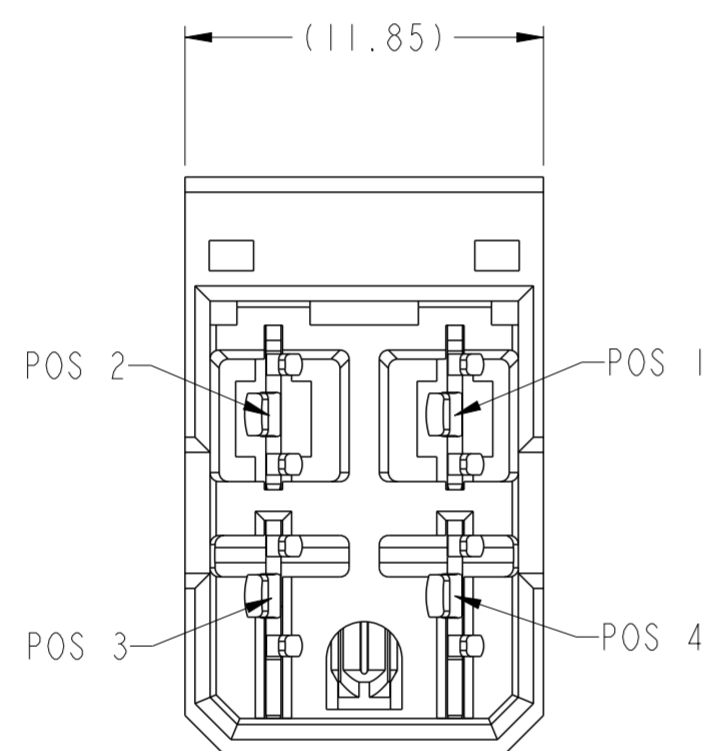
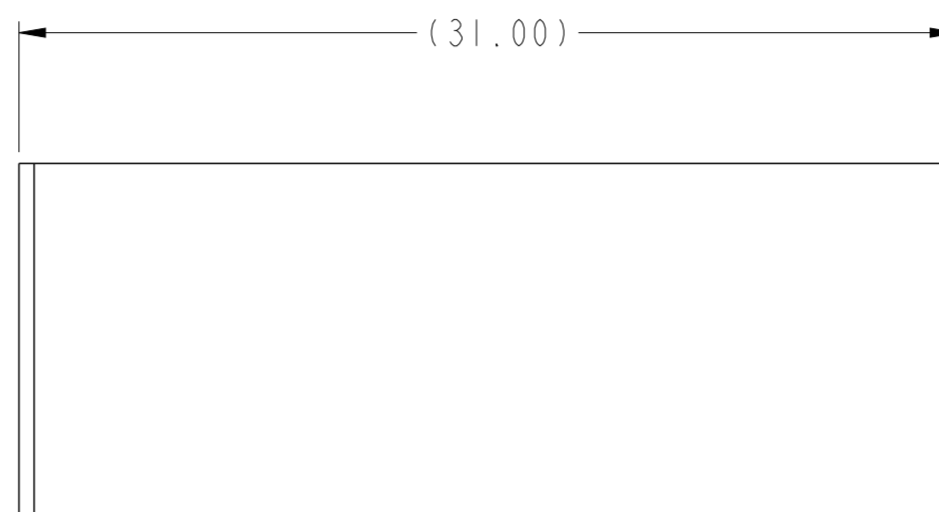


PRODUCT NUMBER (SEE NOTE 2)	CONTACT PLATING		ROHS COMPATIBILITY
	SEPARABLE INTERFACE	PRESS-FIT TAIL	
10084603-001LF	Δ 0.76um MIN GXT OVER NICKEL	0.5um MIN MATTE TIN OVER NICKEL	SEE NOTE 8



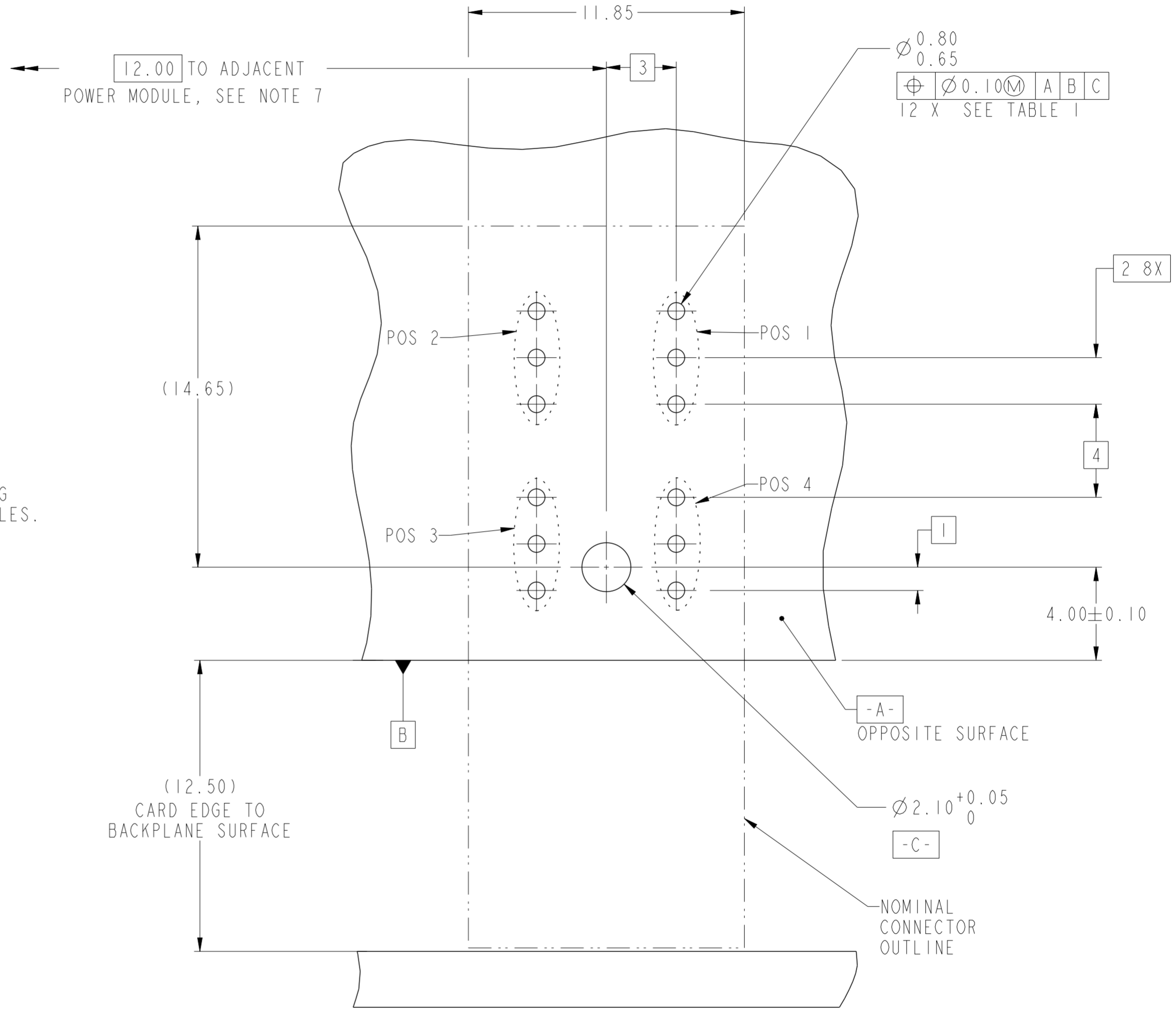
SCALE 2:1



spec ref	GS-12-220	dr	wcadmin	2008/06/11	projection	MM	size	A2	scale	4:1			
tolerance std	ASME Y14.5	eng	Jeny Ren	2015/06/24			ecn no	ELX-DG-21116-1					
TOLERANCES UNLESS OTHERWISE SPECIFIED		chr	Tian-Zhao Lin	2015/06/25			rel level	Released					
		appr	Pai-Ming Zheng	2015/06/28			product family	2mm High Power					
surface	linear	0.X	±0.3		title		HEADER ASSEMBLY , 2X2 AIRMAX POWER	dwg no 10084603	rev D	sheet 1 of 2			
		0.XX	±0.1		www.fci.com						cat. no.	Product - Customer Drw	
	angular	0°	±2°		PDS: Rev :D						STATUS:Released		Printed: Jun 29, 2015

TOP LAYER DESCRIPTION	TABLE 1 PLATED THROUGH-HOLE REQUIREMENTS							
	DRILLED HOLE DIAMETER	COPPER THICKNESS	TIN-LEAD THICKNESS	NICKEL THICKNESS	GOLD THICKNESS	TIN THICKNESS	SILVER THICKNESS	FINISHED HOLE DIAMETER
TIN-LEAD	0.81-0.86 (0.85 DRILL)	0.025 - 0.050	0.005 - 0.015	--	--	--	--	0.65 - 0.80
IMMERSION TIN	0.81-0.86 (0.85 DRILL)	0.025 - 0.050	--	--	--	0.9 - 1.5um	--	0.70 - 0.80
IMMERSION SILVER	0.81-0.86 (0.85 DRILL)	0.025 - 0.050	--	--	--	--	0.15 - 0.65um	0.70 - 0.80
COPPER (SEE NOTE 11)	0.81-0.86 (0.85 DRILL)	0.025 - 0.050	--	--	--	--	--	0.70 - 0.80
GOLD	0.81-0.86 (0.85 DRILL)	0.025 - 0.050	--	0.003 - 0.007	FLASH UP TO 0.0002	--	--	0.69 - 0.80

- NOTES:
- CONNECTOR MATERIALS:
HOUSING: HIGH TEMPERATURE THERMOPLASTIC, BLACK
UL 94V-0 COMPLIANT
CONTACT: HIGH PERFORMANCE COPPER ALLOY
 - "LF" SUFFIX DENOTES "LEAD-FREE"
 - PRODUCT SPECIFICATION: GS-12-220
 - APPLICATION SPECIFICATION: GS-20-023
 - PRODUCT MARKING (PRODUCT NUMBER & LOT CODE) ON HOUSING.
 - MINIMUM NOMINAL PCB THICKNESS: 1.6mm
 - REFER TO CUSTOMER DRAWING SK10035911 FOR INFORMATION REGARDING PCB LAYOUT OF POWER AND GUIDE MODULES RELATIVE TO SIGNAL MODULES.
 - PRODUCT MEETS EUROPEAN UNION DIRECTIVES AND OTHER COUNTRY REGULATIONS AS DESCRIBED IN FCI SPECIFICATION GS-22-008.
 - PACKAGING MEETS FCI SPECIFICATION GS-14-920.
 - HOUSING COMPONENT WILL WITHSTAND EXPOSURE TO 260° PEAK TEMPERATURE FOR 60 SECONDS IN A CONVECTION, INFRA-RED OR VAPOR-PHASE REFLOW OVEN.
 - COPPER PLATING THICKNESS IN CENTER OF VIA-HOLE CAN BE NO MORE THAN 0.003 LESS THAN OTHER AREAS.



RECOMMENDED PCB LAYOUT,
COMPONENT SIDE
SEE NOTE 6
SCALE 6:1

spec ref	GS-12-220	dr	wcadmin	2008/06/11	projection	MM	size	A2	scale	1:1
tolerance std	ASME Y14.5	eng	Jeny Ren	2015/06/24			ecn no	ELX-DG-21116-1		
TOLERANCES UNLESS OTHERWISE SPECIFIED		chr	Tian-Zhao Lin	2015/06/25			rel level	Released		
		appr	Pei-Ming Zheng	2015/06/28						
surface	linear	0.X	±0.3		product family		title HEADER ASSEMBLY, 2X2 AIRMAX POWER	dwg no 10084603	rev D	
		0.XX	±0.1		www.fci.com					cat. no.
		0.XXX	±0.050		Product - Customer Drw					
ASME Y14.5	angular	0°	±2°							

Copyright FCI.