

CODE	DIM "M" MATING LENGTH	CONTACT TYPE
PA	[1.07]	POWER
PC	[2.34]	POWER
H	[N/A]	SIGNAL
G	[N/A]	SIGNAL
F	[N/A]	SIGNAL
E	[N/A]	SIGNAL
HA	[N/A]	HOLD-DOWN

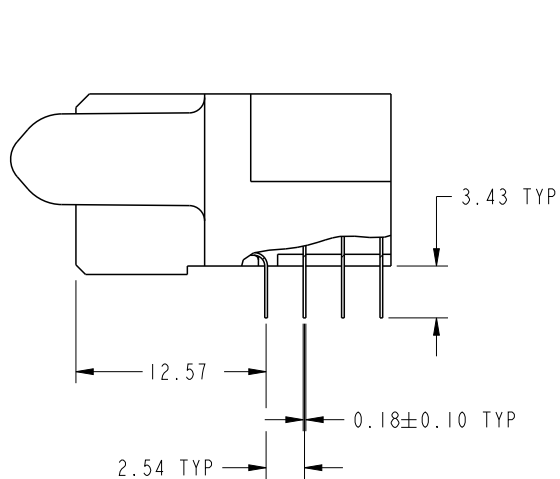
spec ref	SEE NOTES			dr	Ruan MT	2013/09/08	projection 	MM 	size	A4	scale	1:1
tolerance std	TOLERANCES UNLESS OTHERWISE SPECIFIED			eng	Ruan MT	2013/10/10			ecn no	-		
SEE NOTES				chr	-	-			rel level	Released		
surface	linear	0.X	±0.50	FCj www.fci.com	title	3P + 24S + 3P R/A SOLDER RECEPTACLE	product family	PwrBlade	dwg no	51915-415	rev	A
		0.XX	±0.25									
		0.XXX	±0.10									
	angular	0°	±2°	cat. no.	Product - Customer Drw			sheet 1 of 4				



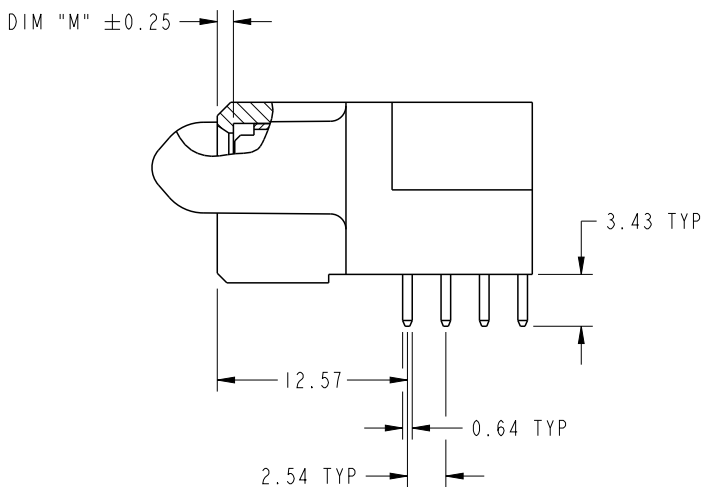
Copyright FCI.

PRODUCT NUMBER

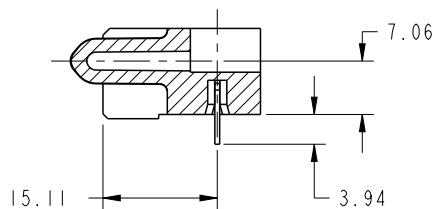
51915-415_
NOTE 3



BROKEN-OUT SECTION A-A
SCALE 2:1



BROKEN-OUT SECTION B-B
SCALE 2:1

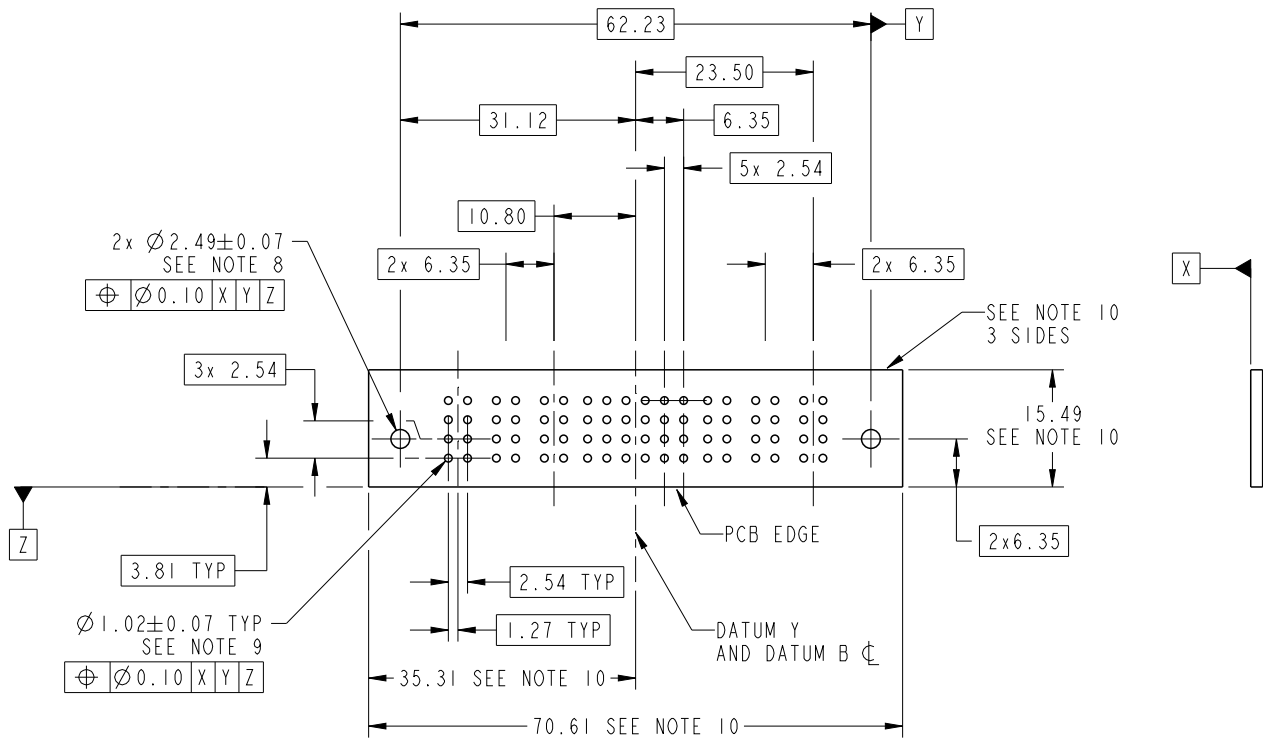


SECTION C-C

dr	Ruan MT	2013/09/08	projection 	MM 	size	A4	scale	1:1
eng	Ruan MT	2013/10/10			ecn no	-		
chr	-	-			rel level	Released		
appr	Pei-Ming Zheng	2013/10/10	product family	PwrBlade	rev	A		
		title 3P + 24S + 3P R/A SOLDER RECEPTACLE	dwg no 51915-415	cat. no. Product - Customer Drw	sheet 2 of 4			

PRODUCT NUMBER

51915-415_
NOTE 3



RECOMMENDED PCB LAYOUT

dr	Ruan MT	2013/09/08	projection 	MM 	size	A4	scale	1:1
eng	Ruan MT	2013/10/10			ecn no	-		
chr	-	-			rel level	Released		
appr	Pei-Ming Zheng	2013/10/10	product family	PwrBlade				
	title	3P + 24S + 3P R/A SOLDER RECEPTACLE		dwg no	51915-415		rev	A
www.fci.com	cat. no.	Product - Customer Drw			sheet 3 of 4			

PRODUCT NUMBER

51915-415--
NOTE 3

NOTES:

1. DIMENSIONS AND TOLERANCES ARE IN ACCORDANCE WITH ASME Y14.5M, 1994 UNLESS OTHERWISE SPECIFIED.

CONNECTOR NOTES:

- 2. HOUSING MATERIAL: UL 94 V-0 GLASS FILLED HIGH-TEMP THERMOPLASTIC
POWER CONTACT MATERIAL: COPPER ALLOY
SIGNAL PIN MATERIAL: COPPER ALLOY
- 3. SEE ITEM 5 & 6 IN PRINT 10064183 FOR PLATING SPEC OF 51915-415 AND 51915-415LF RESPECTIVELY.

4. MANUFACTURER'S NAME, DATE CODE AND OPTIONAL P/N TO APPEAR ON THIS SURFACE. THE MARK CAN BE OMITTED IF THERE IS NOT ENOUGH SPACE ON THIS SURFACE.

5. PRODUCT SPECIFICATION GS-12-149.
APPLICATION SPECIFICATION BUS-20-067.

6. PACKAGED IN TRAYS.

PCB NOTES:

7. ALL HOLE DIAMETERS ARE FINISHED HOLE SIZE.

8. MOUNTING HOLES, WHERE APPLICABLE, ARE UNPLATED.

9. $\varnothing 1.151 \pm 0.025$ DRILLED HOLES PLATED WITH
0.008 MIN SnPb OR Sn OVER 0.03
TO 0.08 Cu PLATING TO ACHIEVE
 $\varnothing 1.02 \pm .07$ HOLE.

10. CONNECTOR KEEP-OUT ZONE.

11. THE VOID CORING IN BETWEEN POWER MODULES, SIGNAL MODULES AND END MODULES ARE OPTIONAL AND THE SHAPE MAY BE DIFFERENT FOR OPTIMIZE THE MOLDING PROCESS. THE VOID CORING WILL NOT EFFECT TO PRODUCT FUNCTION.

dr	Ruan MT	2013/09/08	projection 	MM 	size	A4	scale	1:1
eng	Ruan MT	2013/10/10			ecn no	-		
chr	-	-			product family	PwrBlade	rel level	Released
appr	Pei-Ming Zheng	2013/10/10			title 3P + 24S + 3P R/A SOLDER RECEPTACLE	dwg no 51915-415	rev A	
www.fci.com		cat. no.	Product - Customer Drw			sheet 4 of 4		