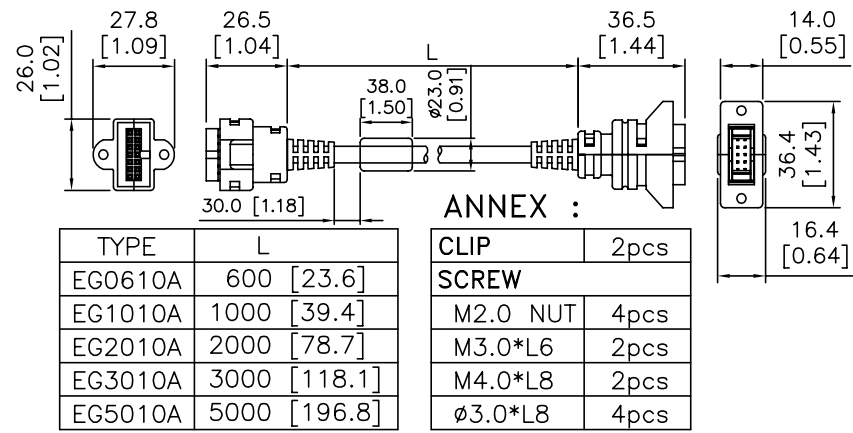
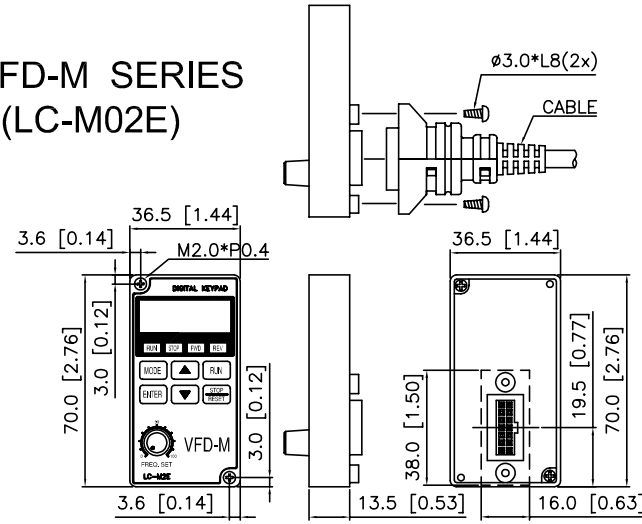


2.VFD-A / B / F / H / M / P SERIES

延長線組 EXTENSION CABLE



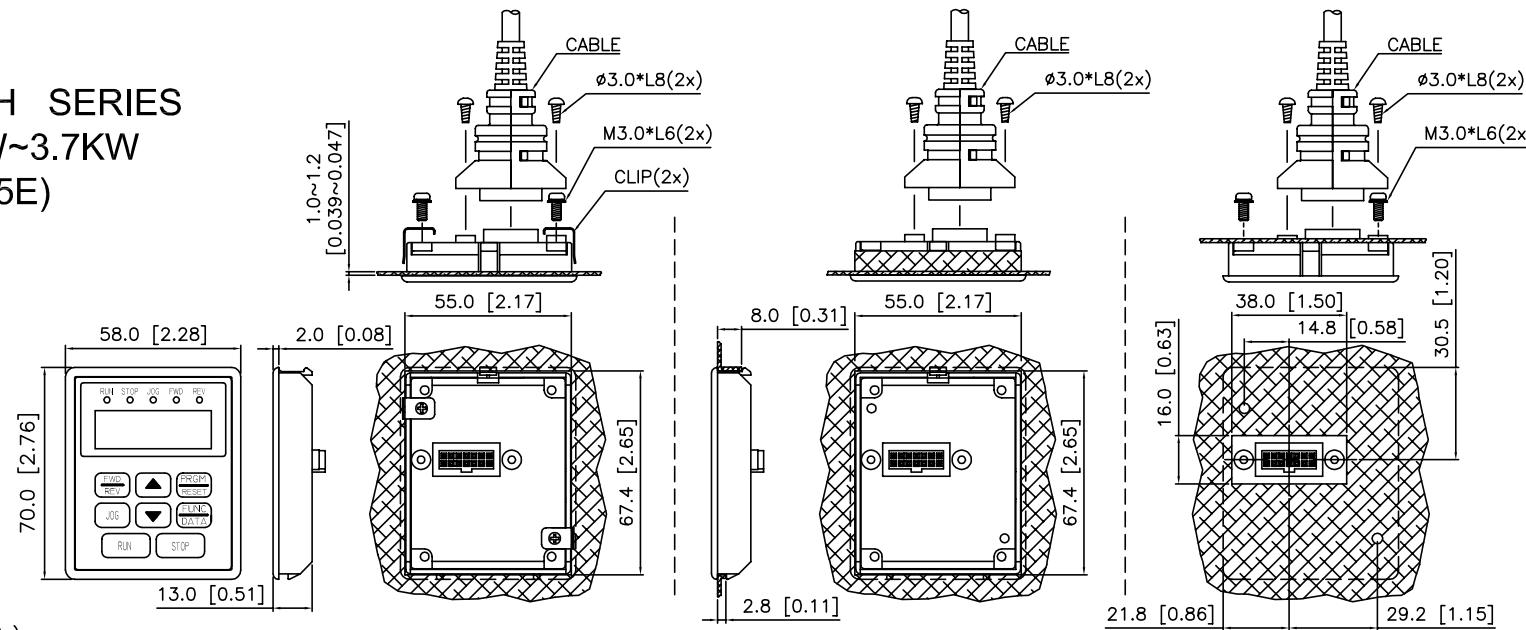
\*. VFD-M SERIES (LC-M02E)



VFD-A / B / F / H / L / M / P / S SERIES  
數位操作器延長線組及組立圖  
KEYPAD EXTENSION CABLE & ASSEMBLY FIGURE

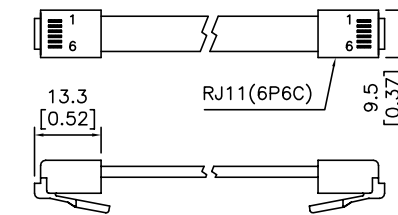
- (1). 夾片嵌入式 CLIPPED TYPE
- (2). 折邊嵌入式 FOLDING INSERTED TYPE
- (3). 壁掛式 HANGED TYPE

\*. VFD-A / H SERIES  
0.75KW~3.7KW  
(LC-A05E)



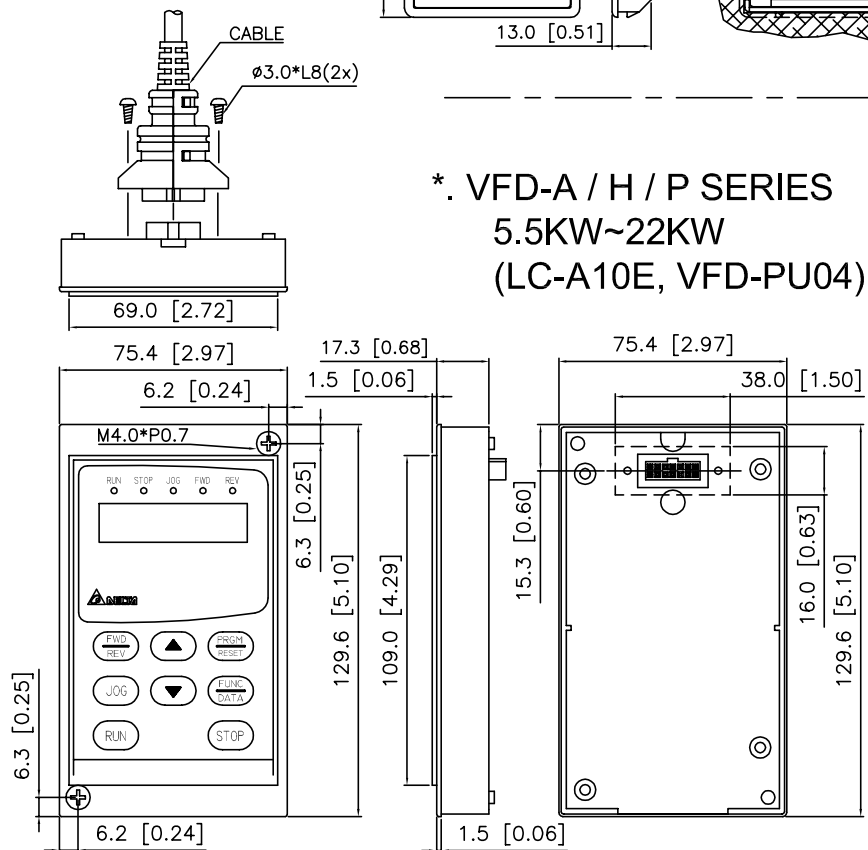
UNIT : mm [inch]

1.VFD-B / F / H / L / M / P / S SERIES  
VFD-PU02X  
延長線組 EXTENSION CABLE

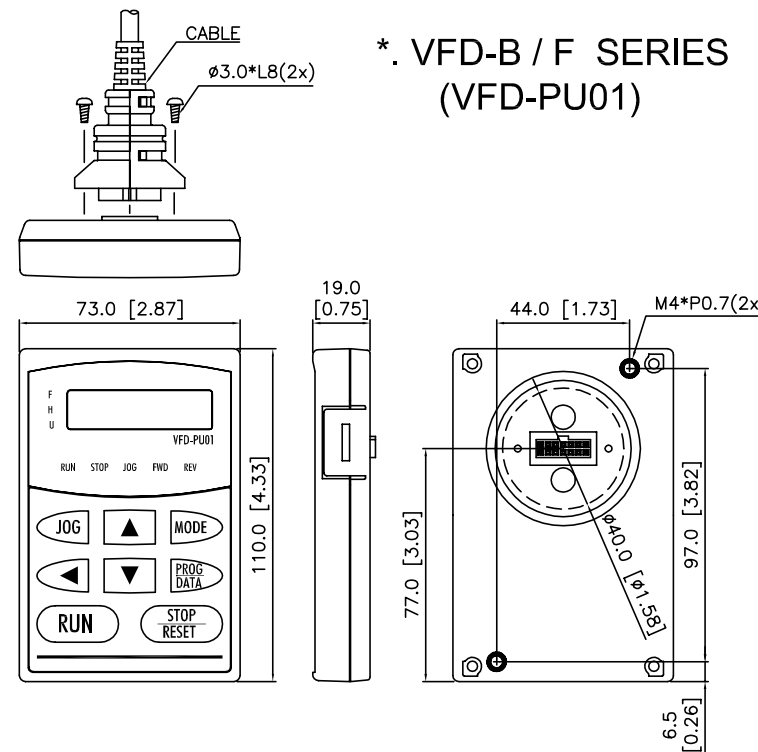


TYPE	L
RJ-01	1000 [39.37]
RJ-02	2000 [78.74]
RJ-03	3000 [118.11]
RJ-04	4000 [157.48]
RJ-05	5000 [196.85]

\*. VFD-A / H / P SERIES  
5.5KW~22KW  
(LC-A10E, VFD-PU04)



\*. VFD-B / F SERIES  
(VFD-PU01)



\*. VFD-PU02X

