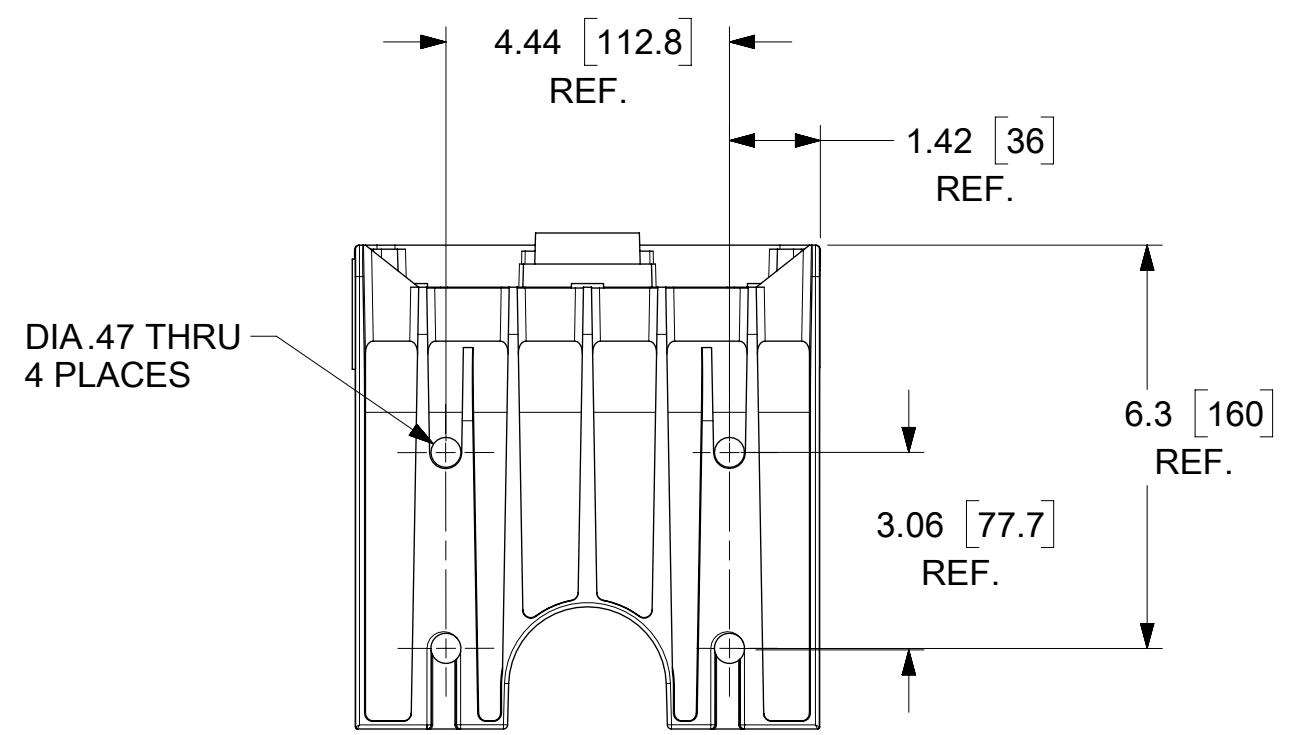
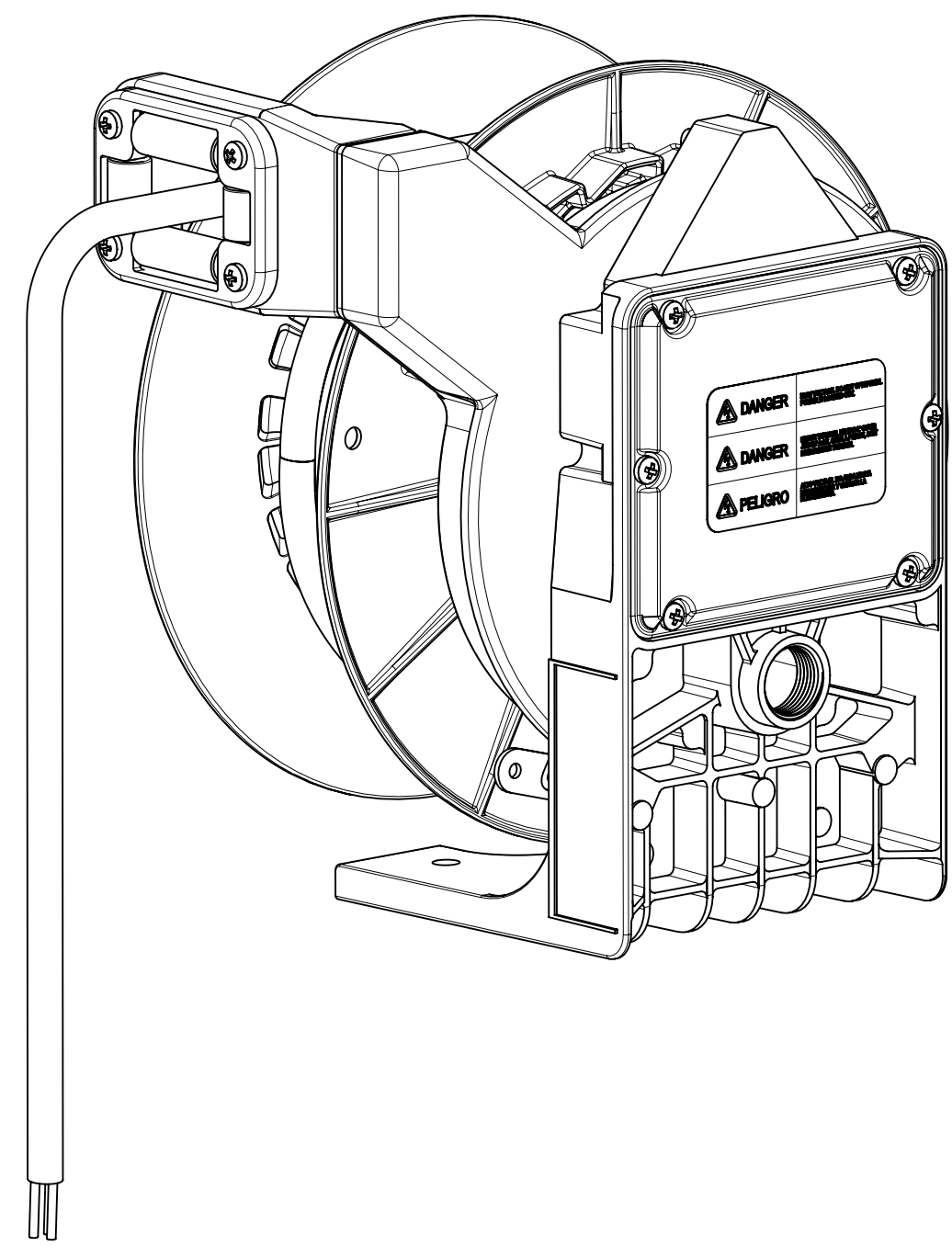
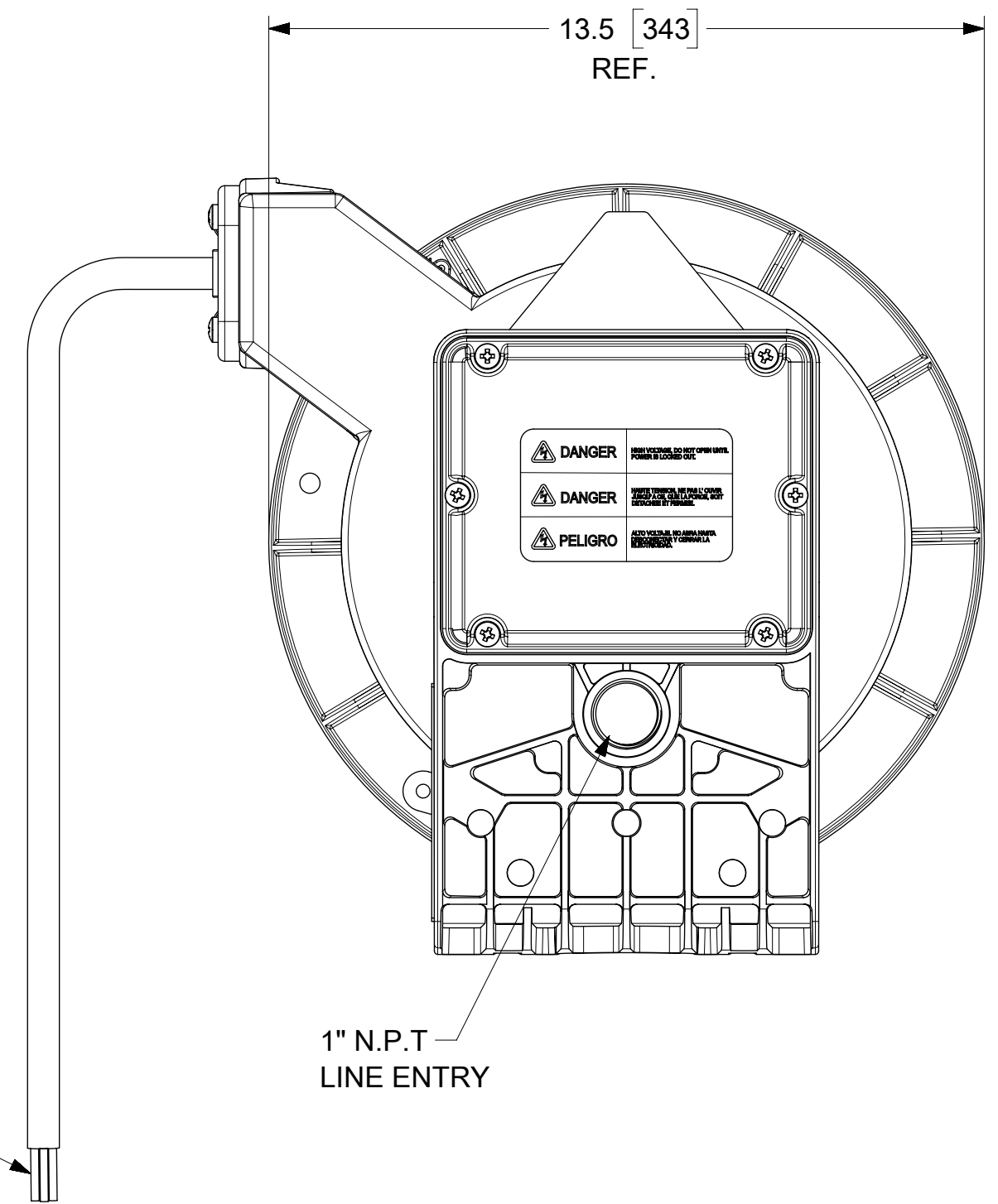
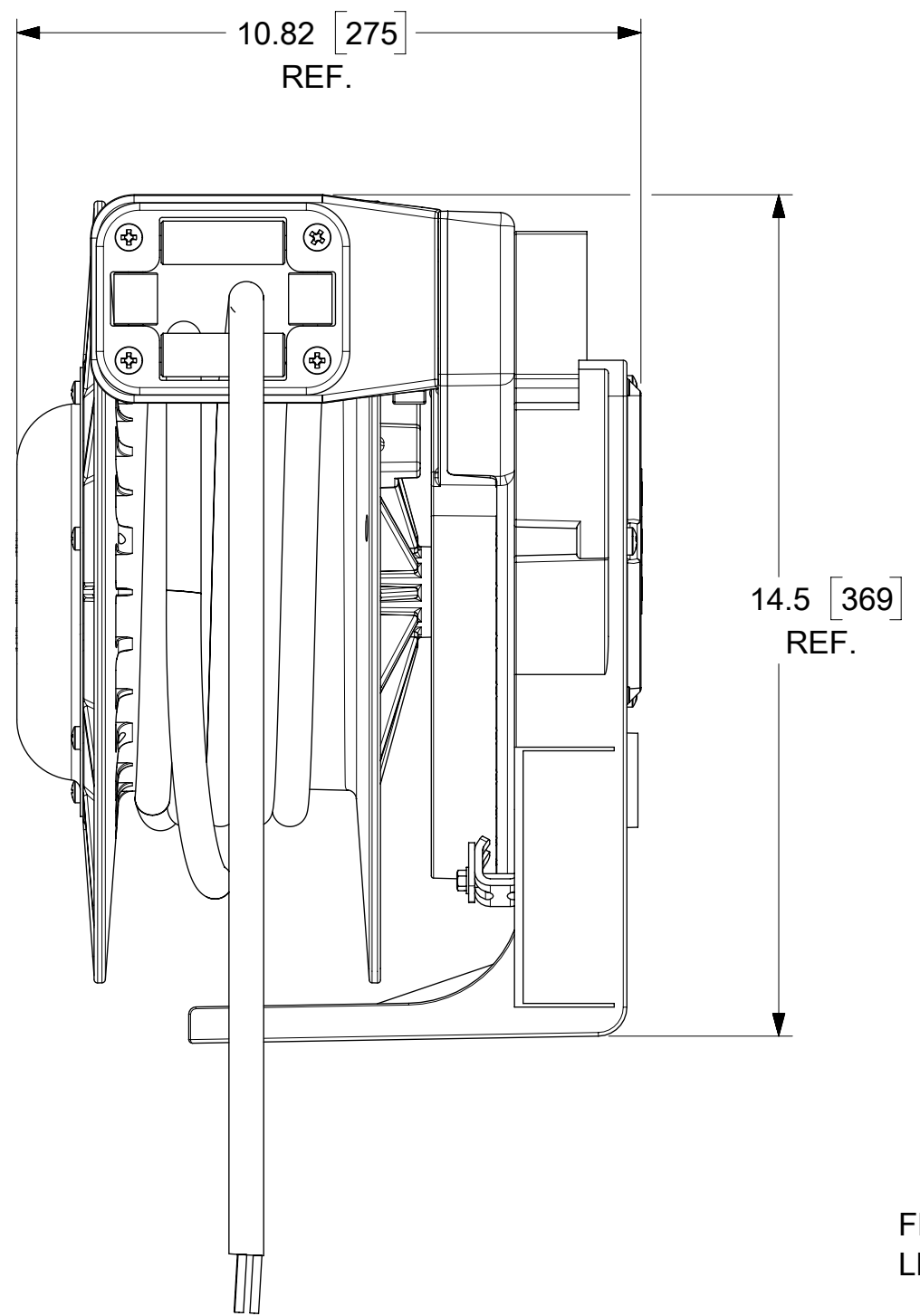


ORDER NO	130083-0247
WOODHEAD ENG. NO	9306
WIRE GAUGE	14
CONDUCTORS	6
AMPERAGE	11A
WORKING CORD	35 FT. BLACK
CORD TYPE	SOOW
CONSTRUCTION	HEAVY WALL CAST ALUMINUM
PAINT	YELLOW POWDER COAT
REEL ENCLOSURE RATING	NEMA 4 INDOOR / OUTDOOR
RETRACTION WEIGHT	4.0 LB [1.8 KG]



BOTTOM VIEW

NOTES:

1. CABLE GUIDE IS ADJUSTABLE EVERY 5 DEGREES OVER 270 DEGREE ARC.
2. RATCHET LOCK IS EASY TO DISENGAGE FOR CONSTANT TENSION.
3. REEL CANNOT BE "LOCKED OUT" AT FULL EXTENSION.

FUNCTIONAL SYMBOLS	THIS DRAWING CONTAINS INFORMATION THAT IS PROPRIETARY TO MOLEX ELECTRONIC TECHNOLOGIES, LLC AND SHOULD NOT BE USED WITHOUT WRITTEN PERMISSION			
	DIMENSION UNITS	SCALE	CURRENT REV DESC: RELEASE CUSTOMER DRAWING	
$\frac{F}{A} = 0$	INCH/MM	NTS		
$\frac{F}{C} = 0$	GENERAL TOLERANCES (UNLESS SPECIFIED)			
$\frac{F}{D} = 0$		MM	INCH	
DIVISIONAL SYMBOLS	4 PLACES	±	±	
	3 PLACES	±	± 0.005	
	2 PLACES	± 0.13	± 0.02	
	1 PLACE	± 0.25	± 0.01	
	0 PLACES	±	±	
	ANGULAR TOL	± 0.5°		
	DRAFT WHERE APPLICABLE MUST REMAIN WITHIN DIMENSIONS			
	THIRD ANGLE PROJECTION			
	DRAWING	C-SIZE	SERIES	130083
	EC NO: 674790	DRWN: VHANDI	2020/07/22	
	CHK'D: DSOPPIN	2022/05/09		
	APPR: HKNEELAND	2022/05/12		
	INITIAL REVISION:			
	DRWN: VHANDI	2020/07/22		
	APPR: HKNEELAND	2022/05/12		
	DOCUMENT NUMBER	1300830247	DOC TYPE	PSD
	DOC PART	000	REVISION	A
	MATERIAL NUMBER	SEE TABLE	CUSTOMER	GENERAL MARKET
	SHEET NUMBER	1 OF 1		