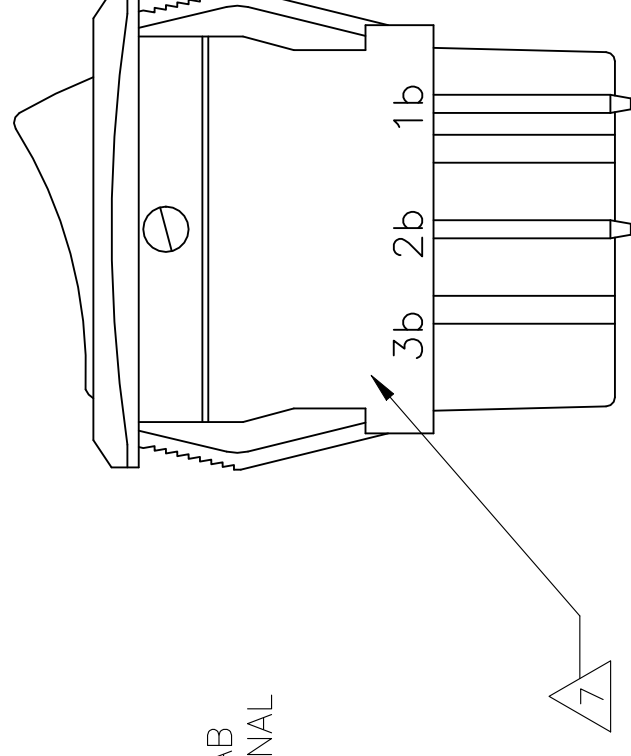
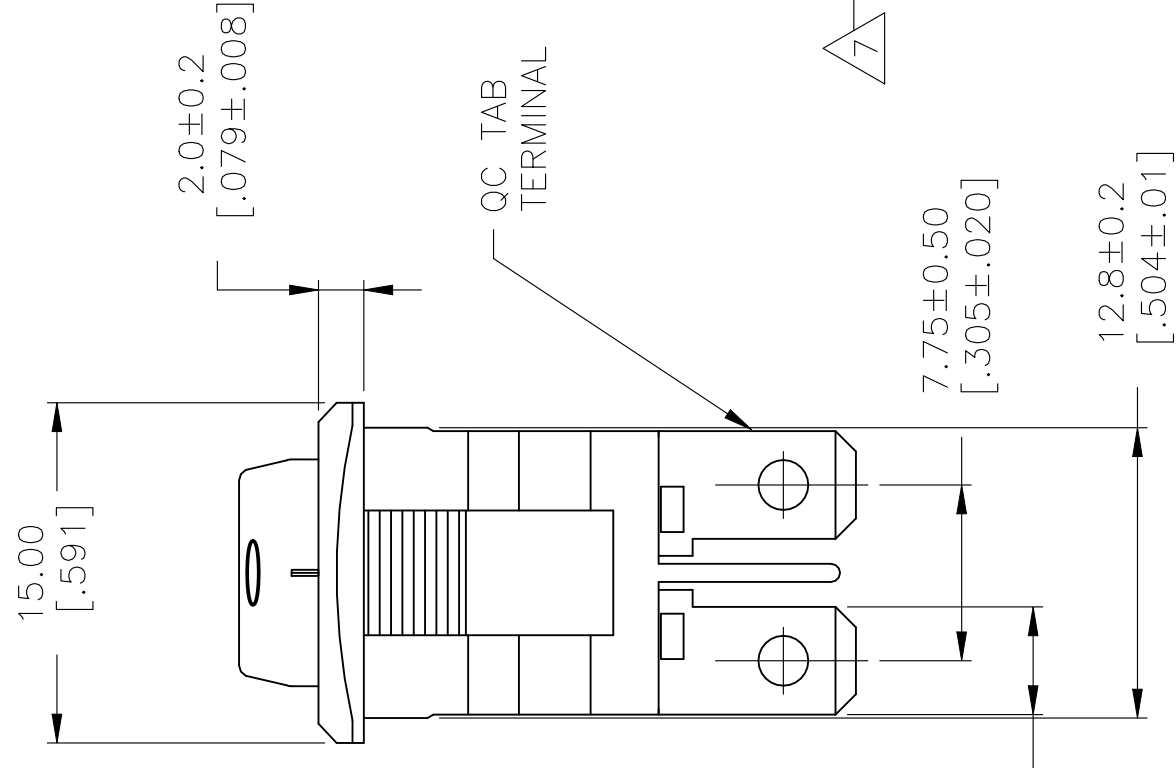
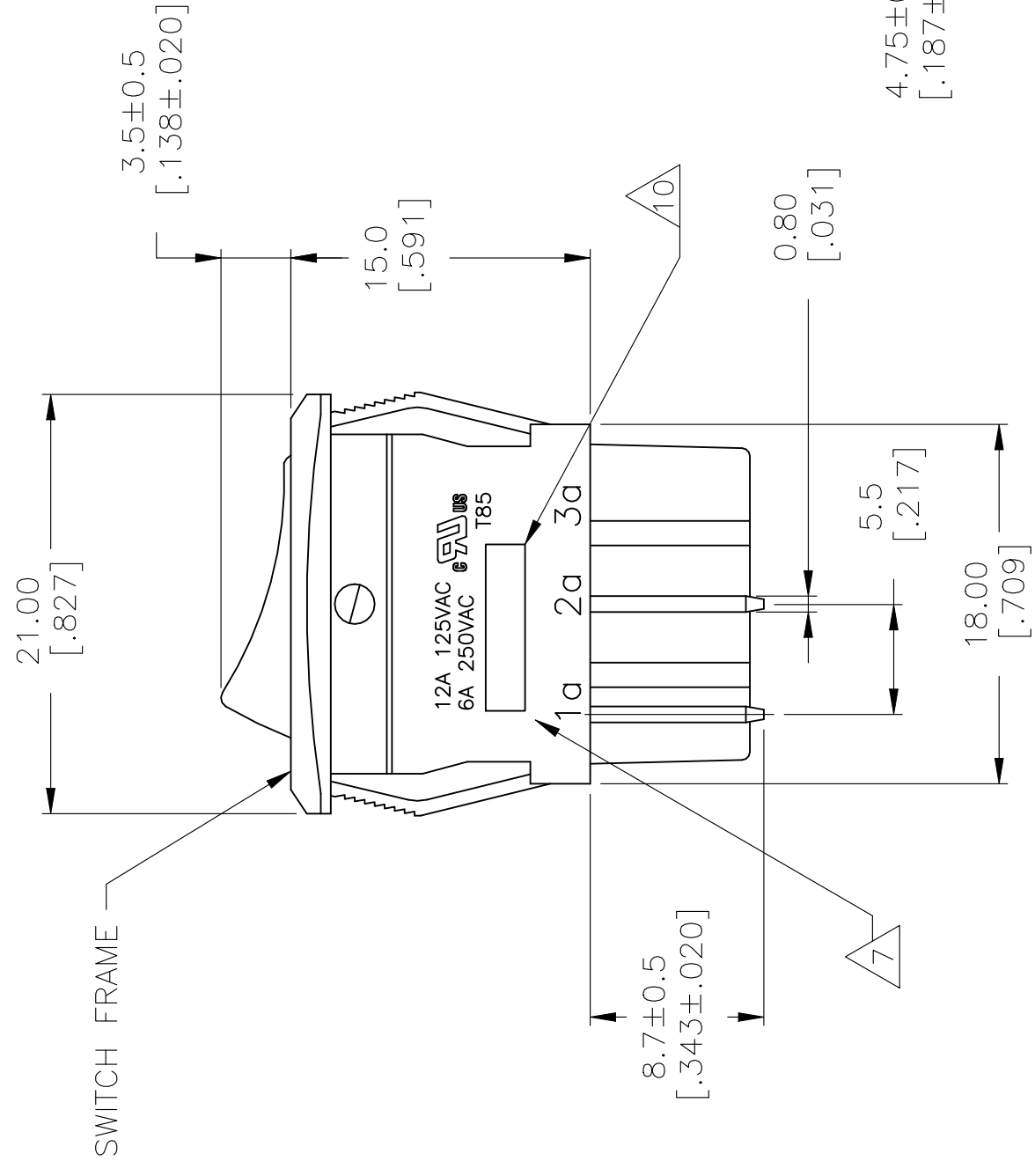
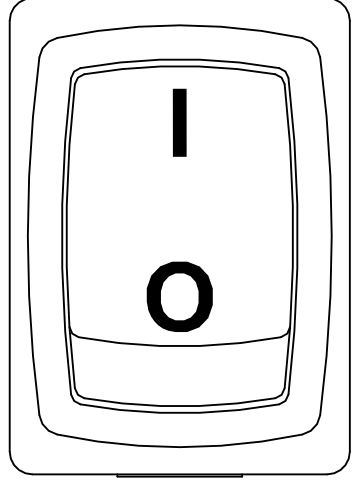
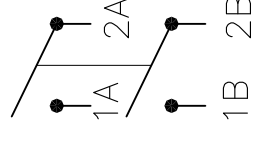


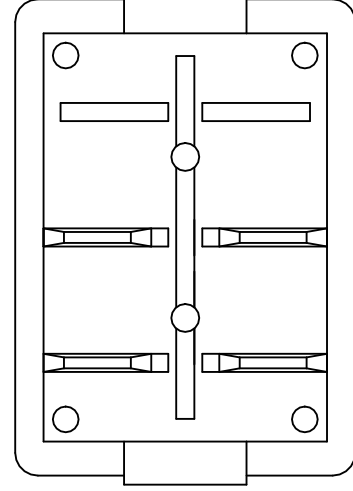
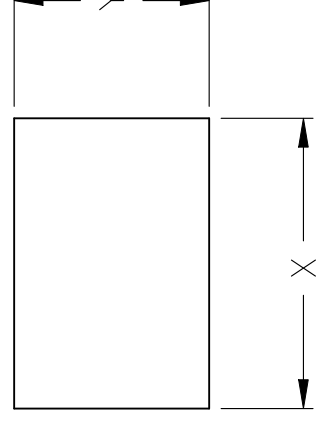
P	LTR	DESCRIPTION	DATE	DWN	APVD
	A1	REVISED PER ECO-16-017354	10MAR2017	RK	AS
	A2	REVISED PER ECR-22-143859	11AUG2023	SA	DM



SWITCH FUNCTION A1
CIRCUIT DIAGRAM



PANEL CUT OUT



1977068-2 SHOWN

2.00-4.00 [.079-.158]	19.8-0.1 [.780-.004]	13.0+0.1 [.512+.004]
1.25-2.00 [.049-.079]	19.4-0.1 [.764-.004]	13.0+0.1 [.512+.004]
0.75-1.25 [.030-.049]	19.2-0.1 [.756-.004]	13.0+0.1 [.512+.004]

THIS DRAWING IS A CONTROLLED DOCUMENT.		PANEL THICKNESS	
DIMENSIONS: mm [INCHES]	TOLERANCES UNLESS OTHERWISE SPECIFIED:	0 PLC ± 0.30 [.012]	1 2 3 4
		1 PLC ± 0.05 [.002]	1 2 3 4
		2 PLC ± 0.05 [.002]	1 2 3 4
		3 PLC ± 0.05 [.002]	1 2 3 4
		4 PLC ± 0.05 [.002]	1 2 3 4
MATERIAL	FINISH	ANGLES	FINISH
		1	2
DWN 03APR2007		X	
CHK M. BINNER	APVD D. ROHDE	Y	
NAME		TE Connectivity	
PRODUCT SPEC		POWER ROCKER SWITCH 13.0mmX19.2mm	
APPLICATION SPEC		PANEL SIZE, DPST, 4 TERMINALS, NON-ILLUMINATED	
WEIGHT		RESTRICTED TO	
NOT APPLICABLE		A2 00779 C-1977068	
CUSTOMER DRAWING		SCALE 3:1 SHEET 1 of 2 REV A2	

P	LTR	DESCRIPTION	DATE	DWN	APVD
-	-	SEE SHEET 1	-	-	-

LEGACY PART NUMBER

X₁X₂ X₃ X₄ X₅X₆ ——— X₇X₈ X₉ ——— X₁₀X₁₁X₁₂X₁₃X₁₄

SWITCH TYPE: X₁X₂ = PR - POWER ROCKER

NOMINAL PANEL CUT OUT SIZE: X₃ = A - 13.0x19.2 [.512x.756]

NUMBER OF POLES: X₄ = D - DOUBLE

SWITCH FUNCTION: X₅X₆ = A1 - ON-OFF, WITH OPAQUE, SINGLE-COLOR ROCKER BUTTON.

CURRENT RATING: X₇X₈ = 12 - △6

TERMINAL TYPE: X₉ = E - QC TAB

FRAME COLOR: X₁₀=B - BLACK
W - WHITE

ROCKER COLOR: X₁₁= B - BLACK
G - GREEN
R - RED
W - WHITE

SECONDARY ROCKER COLOR: X₁₂ = ∅ - NOT APPLICABLE

LEGEND TEXT PATTERN: X₁₃ = ∅ A B C H


LEGEND TEXT COLOR: X₁₄ = ∅ - NOT APPLICABLE
G - GREEN
R - RED
B - BLACK
W - WHITE

△1

MATERIALS:
 ROCKER BUTTON & HOUSING FRAME: NYLON 66, UL 94 V-2.
 TERMINAL, ACTIVE CONTACTOR: COPPER ALLOY PER ASTM B152/B152M
 PLUNGER: BRASS PER ASTM B036
 SPRING: STEEL WIRE PER ASTM A228/A228M

△2

FINISH:
 PLUNGER: 1.02µm[.000040]MIN NICKEL

3. **ELECTRICAL SPECIFICATIONS:** △6

CURRENT AND VOLTAGE: <100mΩ
 CONTACT RESISTANCE (INITIAL): >1000 VAC, 1 MINUTE
 DIELECTRIC STRENGTH (INITIAL): >1000 VDC BETWEEN OPEN CONTACTS
 INSULATION RESISTANCE (INITIAL): >100MΩ (500 VDC BETWEEN OPEN CONTACTS)
 ELECTRICAL LIFE ENDURANCE: >6000 OPERATIONS, VOLTAGE DROP: <100mV
 TEMPERATURE RISE AT TERMINALS: <30°C, 6000 OPERATIONS
 (AMBIENT CONDITIONS: 25±2°C AND 65±5%RH)

4. **MECHANICAL SPECIFICATIONS:**

ACTUATING FORCE: 400g MIN, 800g MAX
 OPERATING LIFE ENDURANCE: >100,000 OPERATIONS
 TERMINAL RETENTION FORCE: >6.8kg- QC TAB

5. **ENVIRONMENTAL SPECIFICATIONS:**

AMBIENT TEMPERATURE: -20°C TO +85°C
 HUMIDITY: MAX 85%
 SALT SPRAY: NO REMARKABLE RUST ON METAL PARTS
 (5% SALT/ 35°C, 24HRS)
 SHOCK: NO MECHANICAL DEFECT OR DAMAGE
 (500G 11MSEC / X,Y,Z, 3 TIMES)
 △6 12A@125VAC/6A@250VAC

△7

ELECTRICAL RATINGS, APPROVED AGENCY LOGOS, TERMINAL IDENTIFICATION NUMBERS, AND THE TE LOGO MOLDED APPROXIMATELY AS SHOWN ON THE SIDES OF THE SWITCH HOUSING.

8.

COMPONENT RECOGNIZED TO US & CANADIAN STANDARDS, UL FILE NO. E46765.

9.

ROHS 2002/95/EC COMPLIANT.

△10

TYCO ELECTRONICS LOGO LOCATED APPROXIMATELY AS SHOWN

OBSOLETE	PRADA1-12F-BROBW	1977068-5
	PRADA1-12F-BR000	1977068-4
	PRADA1-12F-BB0CW	1977068-3
	PRADA1-12F-BB0BW	1977068-2
	PRADA1-12F-BB000	1977068-1
	LEGACY PART NUMBER	PART NUMBER

THIS DRAWING IS A CONTROLLED DOCUMENT.		DWN 03APR2007	M. BINNER		TE Connectivity	
DIMENSIONS: mm [INCHES]		CHK	D.ROHDE		NAME	
TOLERANCES UNLESS OTHERWISE SPECIFIED:		APVD			POWER ROCKER SWITCH 13.0mmX19.2mm	
0 PLC ± 0.30[.012]	1 PLC ± 0.05[.002]	PRODUCT SPEC		PANEL SIZE, DPST, 4 TERMINALS, NON-ILLUMINATED		
2 PLC ± 0.05[.002]	3 PLC ± 0.05[.002]	APPLICATION SPEC		SIZE		RESTRICTED TO
4 PLC ± 0.05[.002]	ANGLES ± 0.5	NOT APPLICABLE		CAGE CODE		DRAWING NO
FINISH	△1	WEIGHT		A2		00779
MATERIAL		CUSTOMER DRAWING		SCALE		3:1
				SHEET		2 of 2
				REV		A2

