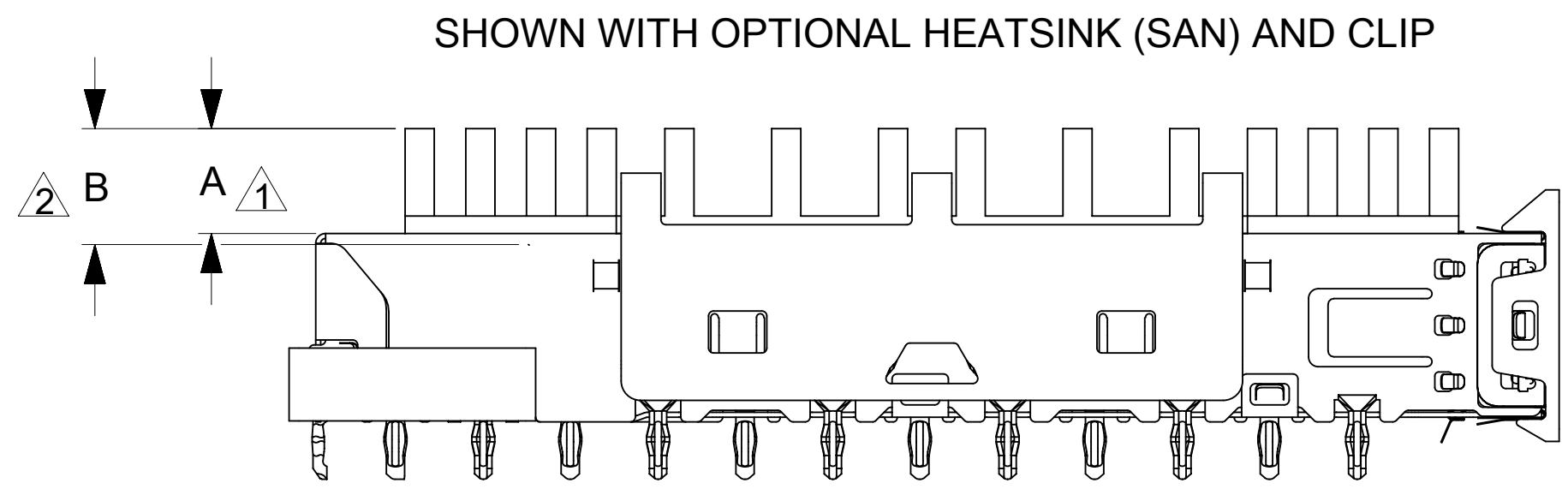
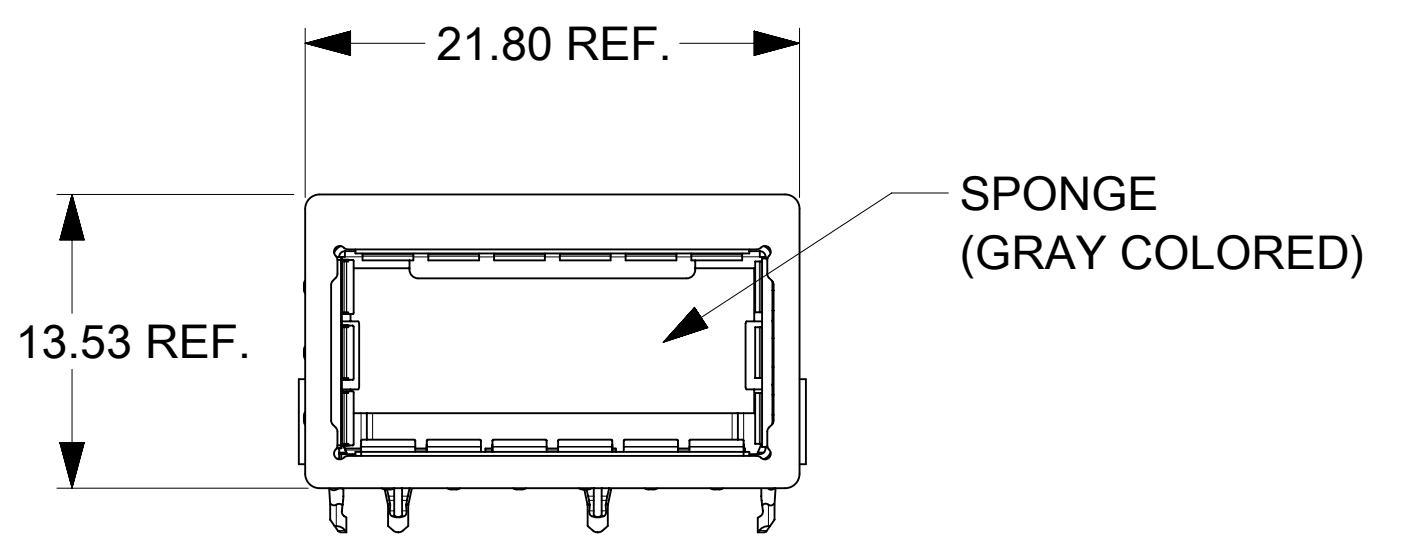


COMPLIANT EMI GASKET  
(DARK COLORED - GRAY)

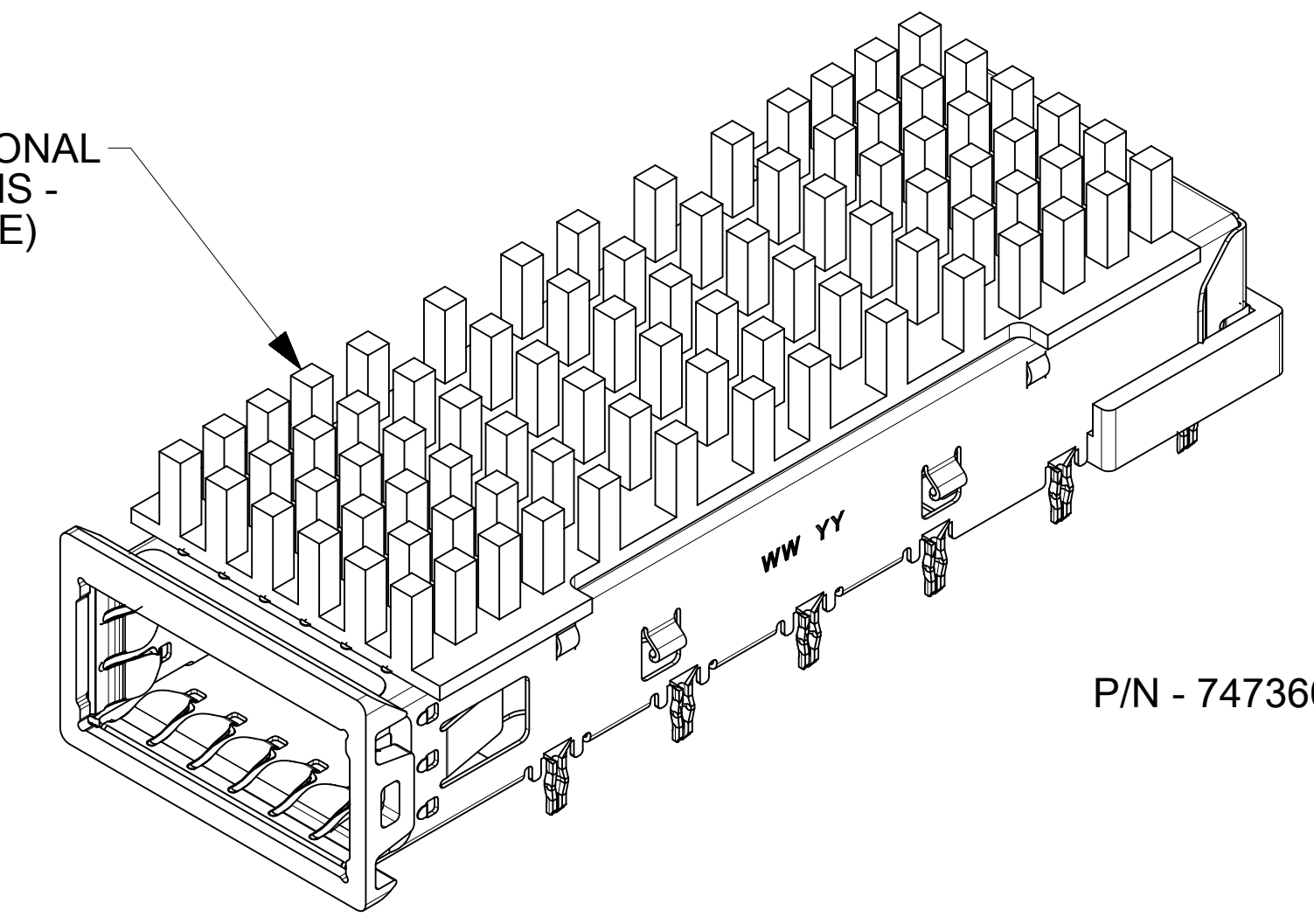


- 1. MAXIMUM HEIGHT OF HEATSINK WITH MODULE INSERTED
- 2. OVERALL HEIGHT OF HEATSINK
- 3. OTHER HEATSINK DESIGNS ARE AVAILABLE INCLUDING CUSTOM DESIGNS

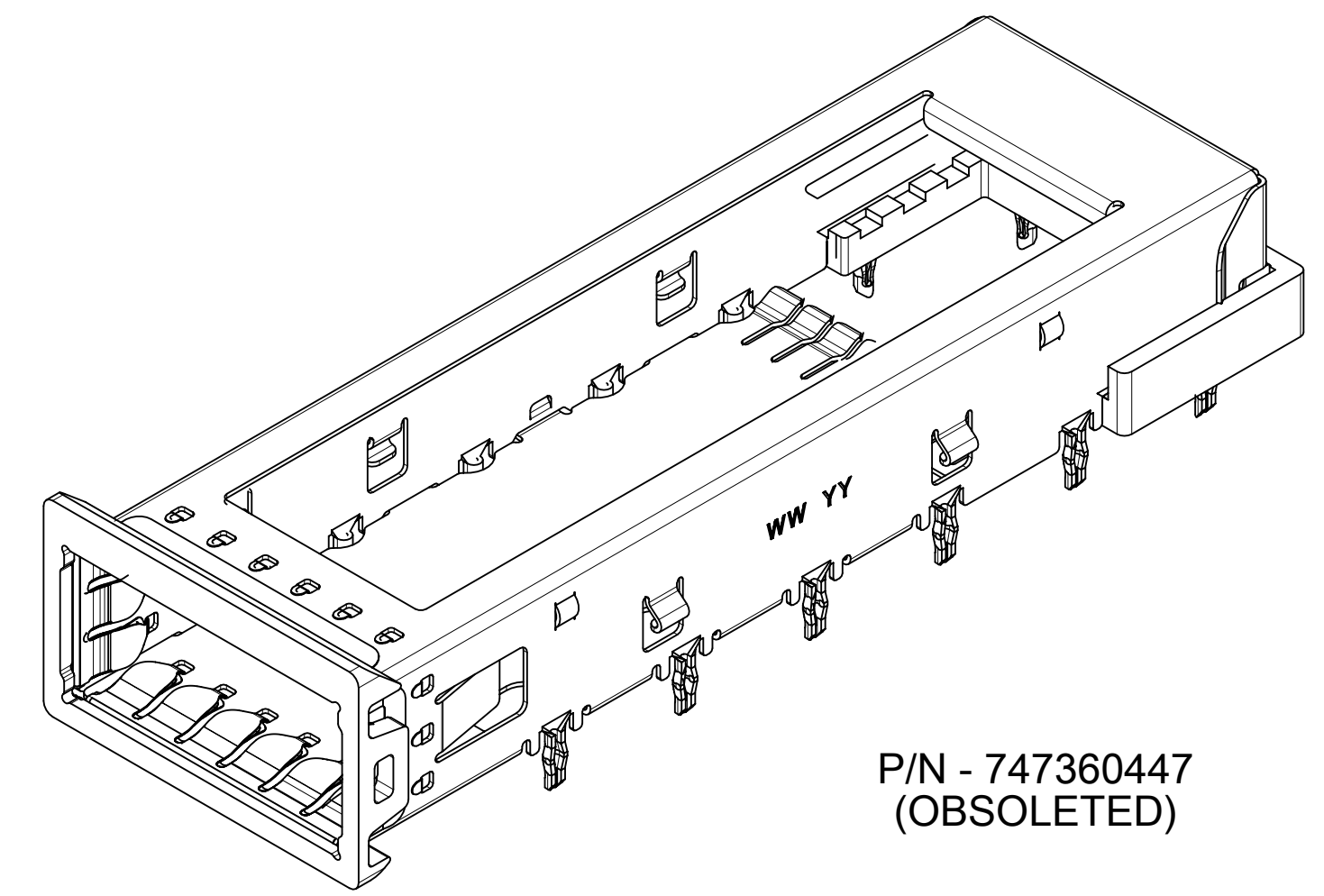
HEATSINK SINK AND CLIP ARE OPTIONAL  
(SEE CHART FOR HEATSINK OPTIONS -  
CUSTOM HEATSINKS ARE AVAILABLE)



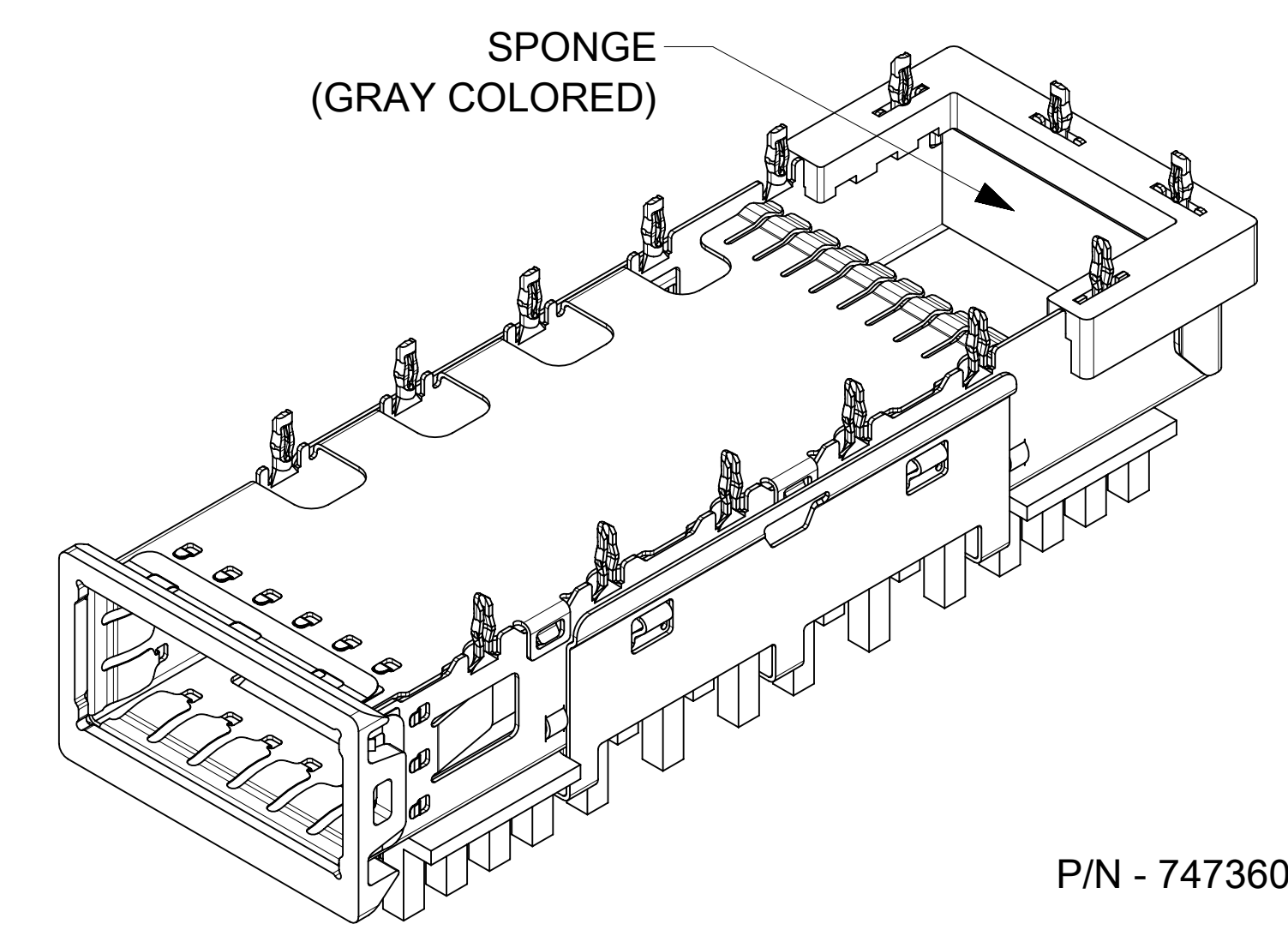
SPONGE  
(GRAY COLORED)



P/N - 747360449



P/N - 747360447  
(OBSOLETE)

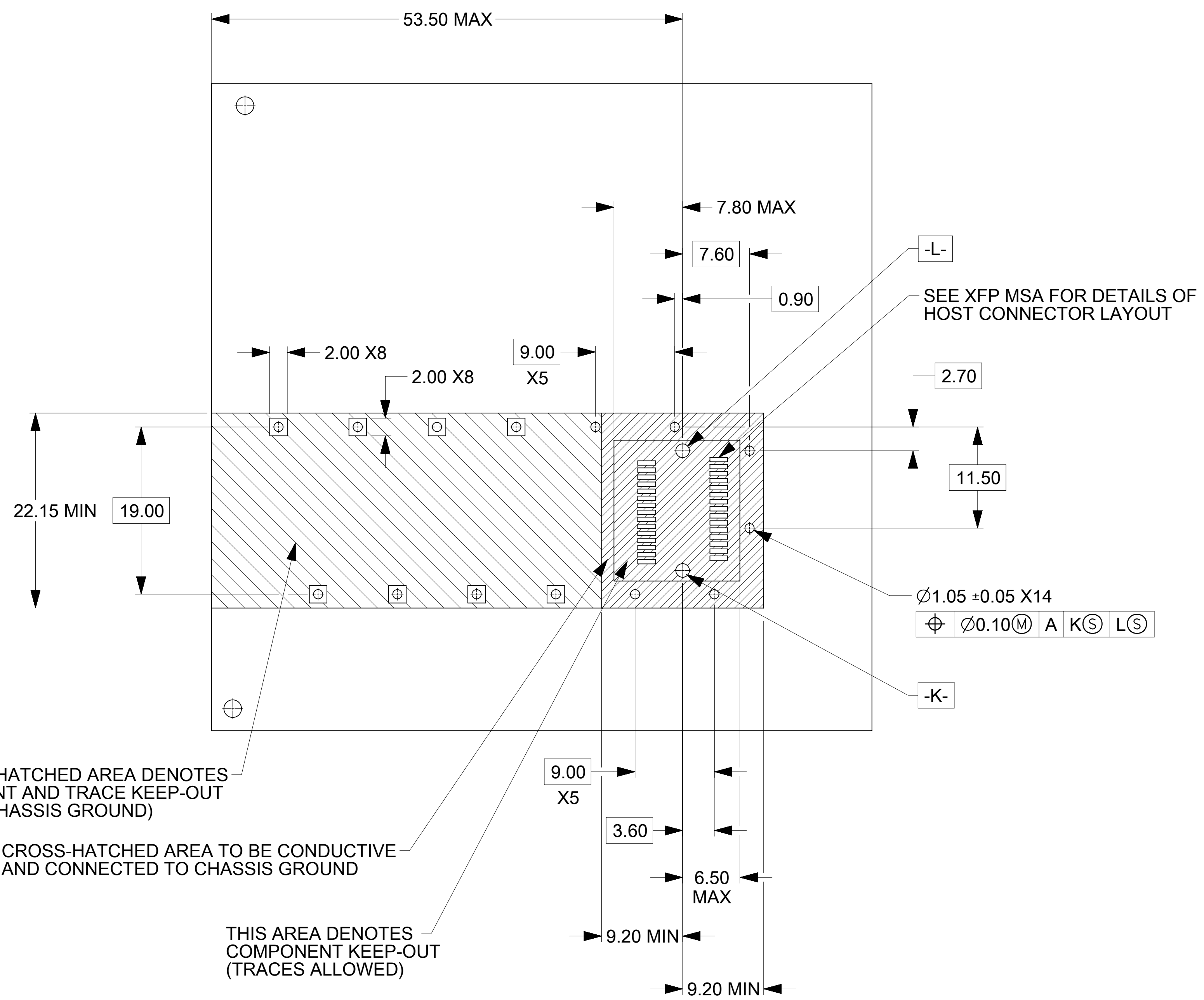


P/N - 747360449

PART NUMBERS FOR XFP CAGE ASSEMBLY & PARTS

P/N	DIM A	DIM B	DESCRIPTION	POWER LEVEL	THERMAL RESISTANCE @200 LFM
747360449	6.3	6.5	XFP CAGE WITH SAN HEATSINK (SHOWN)	UP TO 2.5W	<11.5 C/W
747360450	13.3	13.5	XFP CAGE WITH TALL HEATSINK	UP TO 3.5W	<8.0 C/W
747360230	N/A	N/A	HEATSINK CLIP ONLY	N/A	N/A
747360240	N/A	N/A	PCI HEATSINK ONLY	UP TO 1.5W	<18.0 C/W
747360241	N/A	N/A	SAN HEATSINK ONLY	UP TO 2.5W	<11.5 C/W
747360242	N/A	N/A	TALL HEATSINK ONLY	UP TO 3.5W	<8.0 C/W

FUNCTIONAL SYMBOLS FA = 0 FE = 0 FP = 0	THIS DRAWING CONTAINS INFORMATION THAT IS PROPRIETARY TO MOLEX ELECTRONIC TECHNOLOGIES, LLC AND SHOULD NOT BE USED WITHOUT WRITTEN PERMISSION	CURRENT REV DESC:		<b>molex</b>
	DIMENSION UNITS: mm	SCALE: 3:1	EC NO: 728791	
DIVISIONAL SYMBOLS	GENERAL TOLERANCES (UNLESS SPECIFIED)	MM	INCH	PRODUCT CUSTOMER DRAWING
4 PLACES ±				
3 PLACES ±				DOC TYPE: PSD
2 PLACES ±				
1 PLACE ±				REVISION: F3
0 PLACES ±				
ANGULAR TOL ± 1.0°				
DRAFT WHERE APPLICABLE MUST REMAIN WITHIN DIMENSIONS	THIRD ANGLE PROJECTION	DRAWING: D-SIZE	SERIES: 74736	MATERIAL NUMBER: SEE P/N TABLE
				CUSTOMER: GENERAL MARKET
				SHEET NUMBER: 1 OF 3

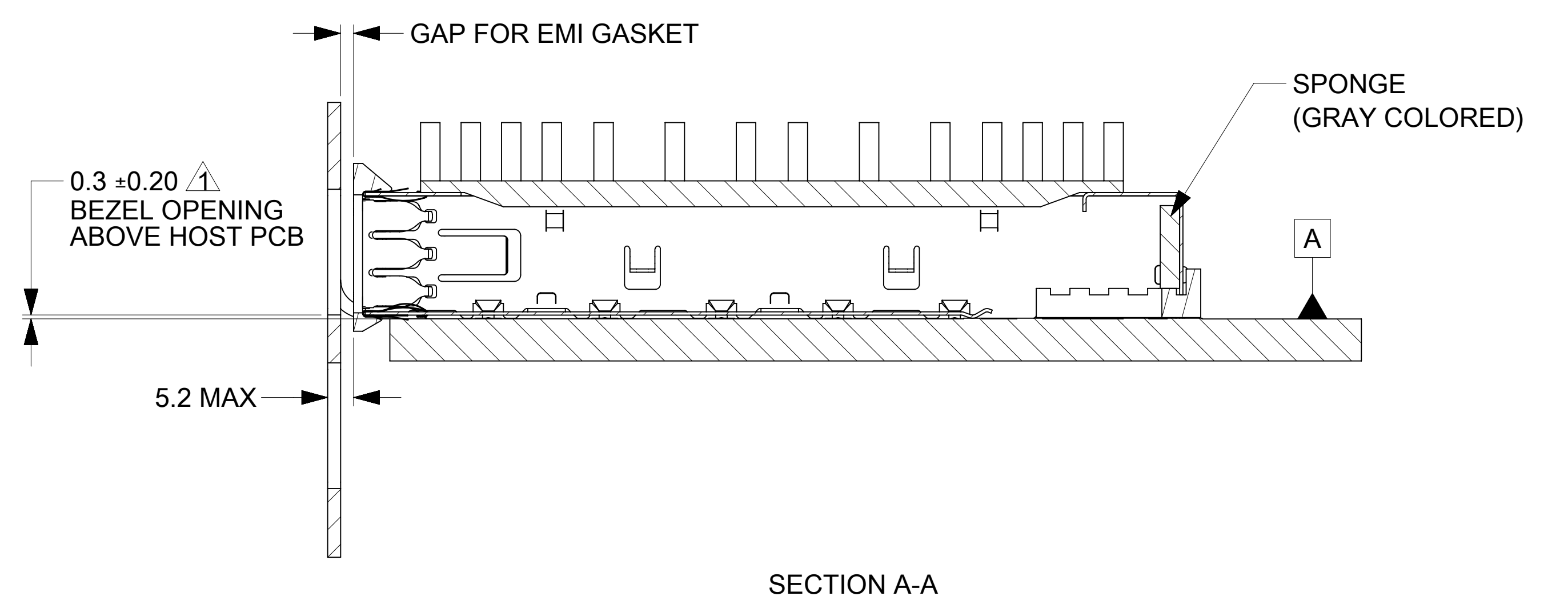
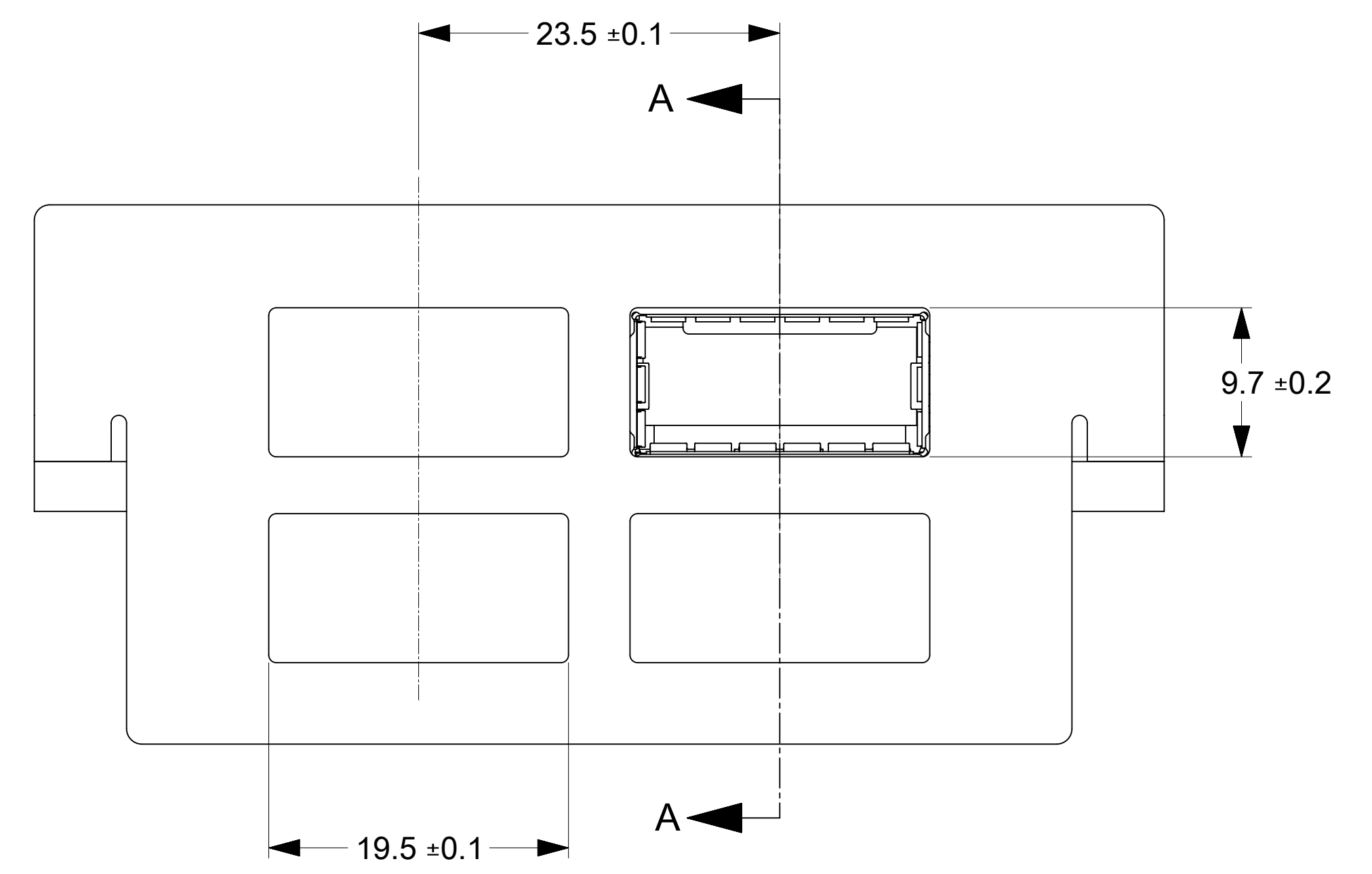


CROSSED-HATCHED AREA DENOTES COMPONENT AND TRACE KEEP-OUT (EXCEPT CHASSIS GROUND)

CROSS-HATCHED AREA TO BE CONDUCTIVE AND CONNECTED TO CHASSIS GROUND

THIS AREA DENOTES COMPONENT KEEP-OUT (TRACES ALLOWED)


▲ FOR PCI APPLICATIONS RECOMMENDED DIMENSION IS 0.4 ±0.1



FUNCTIONAL SYMBOLS	THIS DRAWING CONTAINS INFORMATION THAT IS PROPRIETARY TO MOLEX ELECTRONIC TECHNOLOGIES, LLC AND SHOULD NOT BE USED WITHOUT WRITTEN PERMISSION											
	FA = 0	mm	SCALE 3:1	CURRENT REV DESC:							<p>XFP CAGE ASSEMBLY W/ 3D LEG</p>	
	FC = 0	GENERAL TOLERANCES (UNLESS SPECIFIED)			EC NO: 728791							
	FP = 0		MM	INCH	DRWN: DKUMARG 2022/11/16							
DIVISIONAL SYMBOLS	4 PLACES ±	±	CHK'D: SMALLESHAPPA 2022/11/16									
	3 PLACES ±	±	APPR: SCHIEN 2022/11/17									
	2 PLACES ±	0.1	±	INITIAL REVISION:								
	1 PLACE ±	0.25	±	DRWN: CHIRSCHY 2008/09/25								
	0 PLACES ±	±	±	APPR: RMAHMOOD 2008/09/26								
	ANGULAR TOL ± 1.0°			DRAFT WHERE APPLICABLE MUST REMAIN WITHIN DIMENSIONS								
	THIRD ANGLE PROJECTION			DRAWING D-SIZE			SERIES 74736		MATERIAL NUMBER SEE P/N TABLE			
	DOCUMENT NUMBER			CUSTOMER			REVISION		SHEET NUMBER			
	SD-74736-0448			GENERAL MARKET			PSD 001 F3		2 OF 3			

DOCUMENT STATUS	P1	RELEASE DATE	2022/11/17 01:55:17
-----------------	----	--------------	---------------------

DATE	REV	DESCRIPTION
2008/09/19	A	INITIAL RELEASE
2008/12/15	B	1. ADDED TEXT (DARK COLORED) TO COMPLIANT EMI GASKET NOTE
2010/03/01	C	1. ADDED NOTE TO PAGE 2 - THIS AREA DENOTES COMPONENT KEEP-OUT (TRACES ALLOWED) TO VIEW. 2. REMOVED NOTE 2 FROM PAGE 2.
2010/11/02	D	1. 13.53 REF. DIMENSION WAS 12.95 REF. 2. ADD 1 PLACE TOLERANCE OF ±0.25 TO TITLE BLOCK
2013/04/23	E	1. ADDED 747360453.
2019/02/04	F	1. OBSOLETE PART NUMBER 747360448.
2019/12/11	F1	1. OBSOLETE P/N 0747360447 AND 747360453
2021/01/07	F2	SHEET 1: E17: REMOVED THE VIEW OF 747360453. J09 & H05: ADDED A NOTE FOR SPONGE(GRAY COLORED). SHEET 2: G03: ADDED A NOTE FOR SPONGE(GRAY COLORED).
2022/11/16	F3	SHEET 01 : K12 : CORRECTED TYPO OF DIMENSION FROM 12.95 REF TO 13.53 REF FOR THE FG P/N 747360449 AND 747360450.

FUNCTIONAL SYMBOLS	THIS DRAWING CONTAINS INFORMATION THAT IS PROPRIETARY TO MOLEX ELECTRONIC TECHNOLOGIES, LLC AND SHOULD NOT BE USED WITHOUT WRITTEN PERMISSION			CURRENT REV DESC:					
	FA = 0	mm	SCALE 1:1						
DIVISIONAL SYMBOLS	GENERAL TOLERANCES (UNLESS SPECIFIED)			EC NO: 728791 DRWN: DKUMARG 2022/11/16 CHK'D: SMALLESHAPPA 2022/11/16 APPR: SCHIEN 2022/11/17			XFP CAGE ASSEMBLY W/ 3D LEG		
	FC = 0								
DIVISIONAL SYMBOLS	FP = 0			INITIAL REVISION: DRWN: CHIRSCHY 2008/09/25 APPR: RMAHMOOD 2008/09/26			PRODUCT CUSTOMER DRAWING		
		MM	INCH						
		4 PLACES ±	±						
		3 PLACES ±	±						
		2 PLACES ±	0.1 ±						
	1 PLACE ±	0.25 ±		DOCUMENT NUMBER <b>SD-74736-0448</b>			DOC TYPE DOC PART REVISION <b>PSD 001 F3</b>		
	0 PLACES ±	±							
	ANGULAR TOL	± 1.0 °		DRAFT WHERE APPLICABLE MUST REMAIN WITHIN DIMENSIONS			MATERIAL NUMBER CUSTOMER <b>SEE P/N TABLE GENERAL MARKET</b>		
				D-SIZE 74736			SHEET NUMBER <b>3 OF 3</b>		