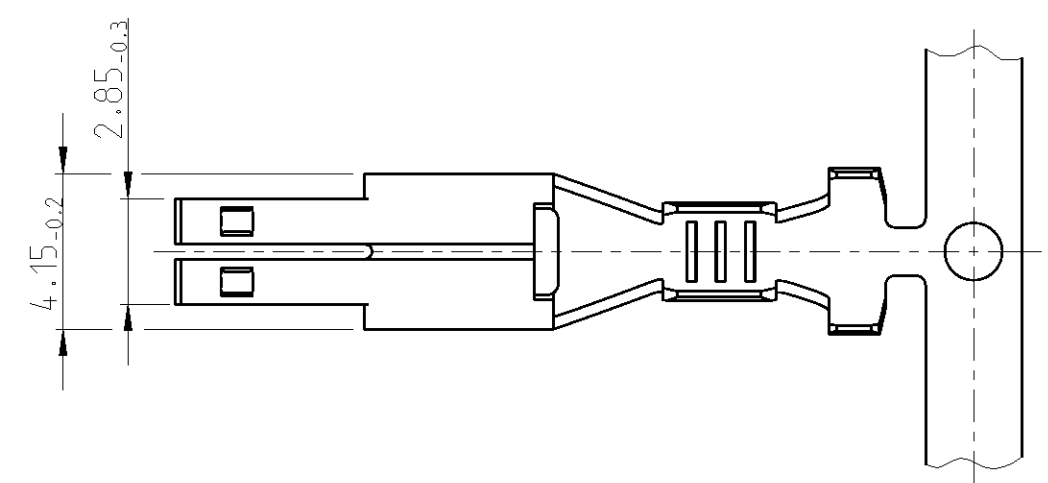
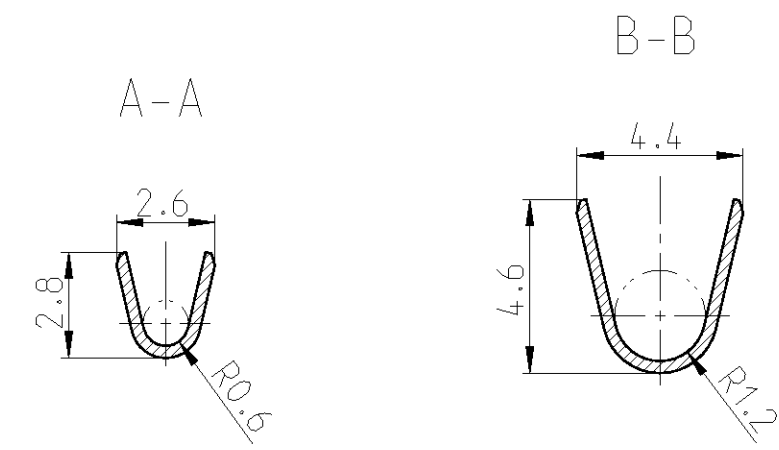
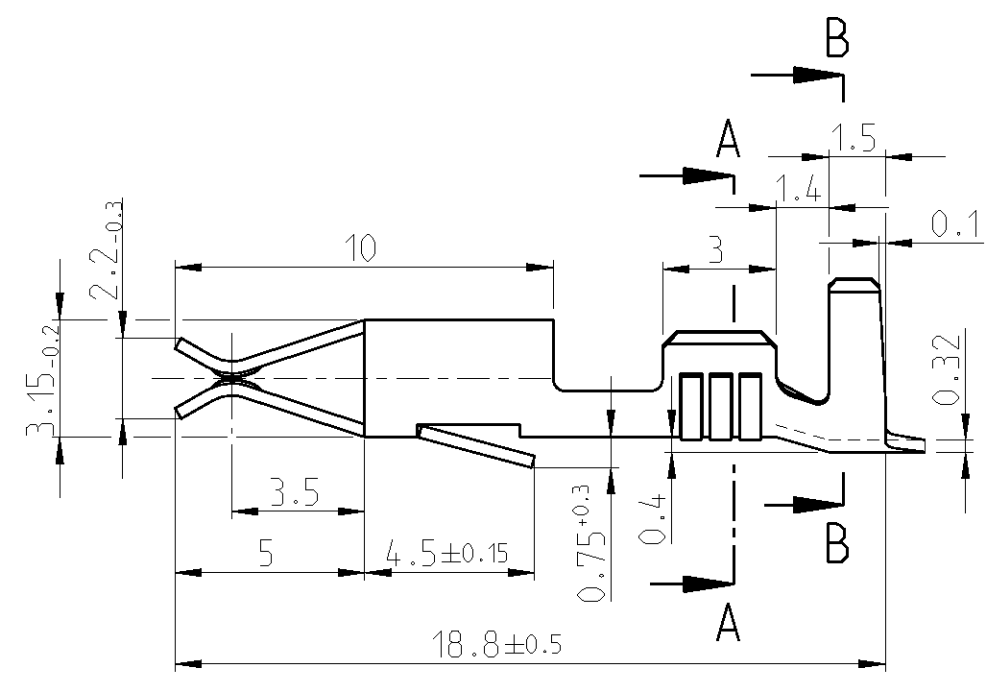


THIS DRAWING IS UNPUBLISHED. RELEASED FOR PUBLICATION 2013
 © COPYRIGHT 2013 Tyco Electronics AMP GmbH ALL RIGHTS RESERVED.

| LOC | DIST | REVISIONS | | | | | |
|-----|------|-----------|-----|-----------------------------------|-----------|-------|------|
| | | P | LTR | DESCRIPTION | DATE | DWN | APVD |
| A1 | - | | 2 | Korrektur | 30JAN1985 | Widd | - |
| | | | 3 | Pos. -3 hinzu | 19FEB1985 | Widd | - |
| | | | 4 | an Produktionszeichnung angepasst | 30APR1986 | - | - |
| | | | B | New CAD drawing created. | 20JUN2013 | Kirs. | Eder |




| CONDUCTOR CROSS-SECTION IN mm ² Leitungsquerschnitt in mm ² | | 0.50 | 0.75 | 1.00 | 1.50 | 2.00 | 2.50 | 3.00 | 4.00 | 6.00 |
|--|---|------|------|------|------|------|------|------|------|------|
| SINGLE CONNECTION Einzelanschlag | | X | X | | | | | | | |
| 0.50 | X | X | | | | | | | | |
| 0.75 | X | | | | | | | | | |
| 1.00 | X | | | | | | | | | |
| 1.50 | | | | | | | | | | |
| 2.00 | | | | | | | | | | |
| 2.50 | | | | | | | | | | |
| 3.00 | | | | | | | | | | |
| 4.00 | | | | | | | | | | |
| 6.00 | | | | | | | | | | |

WIRE SIZE RANGE: 0.5-1.0mm²
 Drahtgroessenbereich: 0.5-1.0mm²

CRIMPING CONDUCTOR: FLK-WIRE
 CONDUCTOR: F-CRIMP
 INSULATION: F-CRIMP

angeschlagener Leiter: FLK-Leitung
 Leiter: F-Crimp
 Isolation: F-Crimp

| | | | | |
|-------------|------------|----------|------------|-----|
| 927864-4 | PRE SILVER | CuZn30 | 927863-4 | B |
| 927864-3 | PRE GOLD | CuSn4 | 927863-3 | B |
| 927864-2 | PRE TIN | CuSn6 | 927863-2 | B |
| 927864-1 | PRE TIN | CuZn30 | 927863-1 | B |
| LOOSE PIECE | FINISH | MATERIAL | STRIP PART | REV |

| | | | | | | |
|--|--|--------------------------------|---|--------------------|------------------------|---------------|
| THIS DRAWING IS A CONTROLLED DOCUMENT. | | DWN J.W idder 16AUG1984 |  TE Connectivity | | | |
| DIMENSIONS: mm | | CHK Herth 05SEP1984 | | | | |
| TOLERANCES UNLESS OTHERWISE SPECIFIED: ± 0.2 0 PLC 1 PLC 2 PLC 3 PLC 4 PLC ANGLES FINISH | | APVD C.Goennel 12JUN2013 | NAME JUNIOR-TIMER CONTACT Junior-Timer Kontakt | | | |
| MATERIAL | | PRODUCT SPEC | SIZE A3 | CAGE CODE 00779 | DRAWING NO C-927863 | RESTRICTED TO |
| | | APPLICATION SPEC | SCALE 5:1 | | SHEET 1 OF 1 | REV B |
| | | WEIGHT | Customer Drawing | | | |