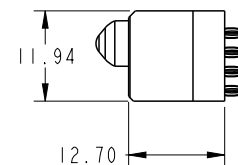
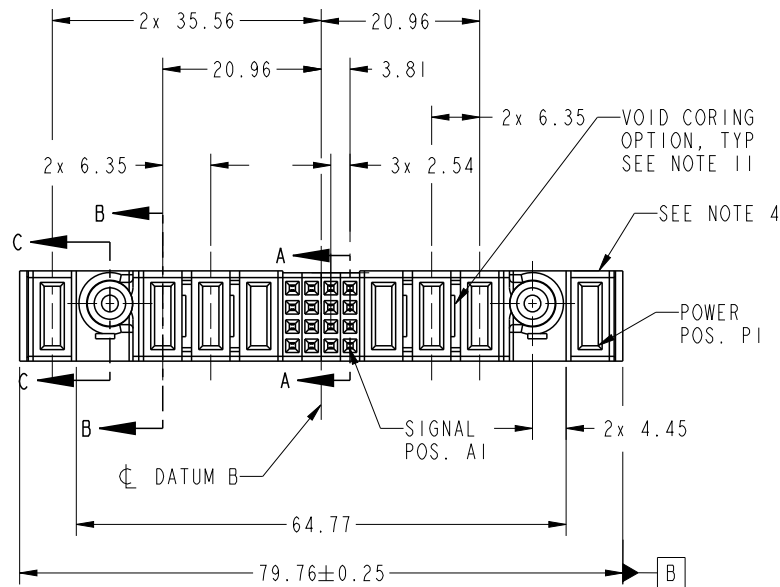


PRODUCT NO.	ROWS	POWER				SIGNAL				POWER					
		P8	E2	P7	P6	P5	4	3	2	1	P4	P3	P2	E1	P1
51940-526-- NOTE: 3	D C B A	PC		PC	PC	PC	F	F	F	F	PF	PF	PF		PF

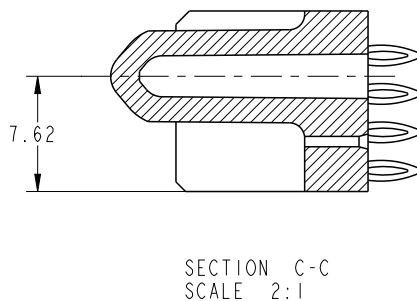
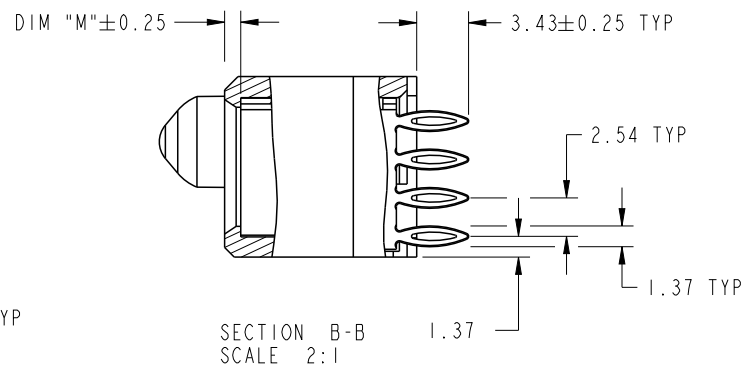
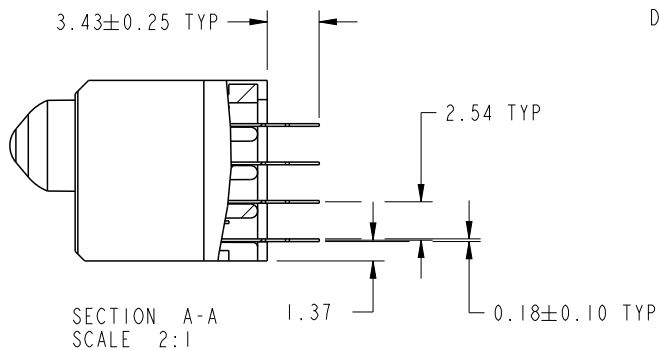


CODE	DIM "M" MATING LENGTH	CONTACT TYPE
PC	[1.07]	POWER
PF	[2.34]	POWER
F	[N/A]	SIGNAL

spec ref	*	dr	Ruan MT	2014/03/25	projection	MM	size	A4	scale	1:1
tolerance std	TOLERANCES UNLESS OTHERWISE SPECIFIED	eng	Ruan MT	2014/04/16			ecn no	-		
SEE NOTE		chr	-	-	product family	PwrBlade	rel level	Released		
surface	linear	appr	Pei-Ming Zheng	2014/04/16	IP + 3P + 16S + 3P + IP		rev	A		
	angular	www.fci.com		cat. no.	*	Product - Customer Drw	sheet 1 of 4			

PRODUCT NUMBER

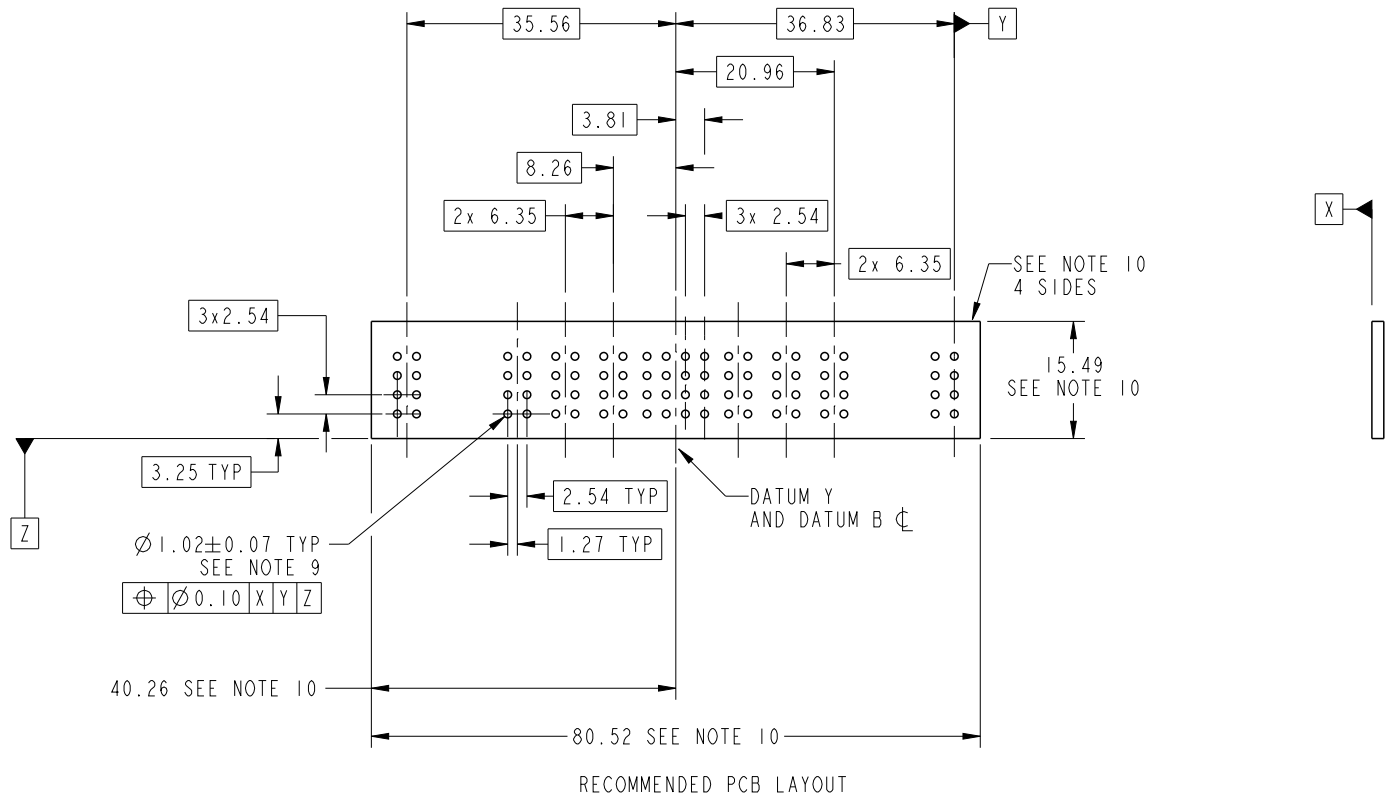
51940-526\_\_  
NOTE: 3



dr	Ruan MT	2014/03/25	projection 	MM 	size	A4	scale	1:1			
eng	Ruan MT	2014/04/16			ecn no	-					
chr	-	-			rel level	Released					
appr	Pei-Ming Zheng	2014/04/16	product family	PwrBlade							
		title			IP + 3P + 16S + 3P + IP		dwg no		51940-526	rev	A
www.fci.com		cat. no.			*	Product - Customer Drw			sheet 2 of 4		

PRODUCT NUMBER

51940-526\_\_  
NOTE: 3



Copyright FCI.

dr	Ruan MT	2014/03/25	projection 	MM 	size	A4	scale	1:1	
eng	Ruan MT	2014/04/16			ecn no	-			
chr	-	-							
appr	Pei-Ming Zheng	2014/04/16	product family	PwrBlade	rel level	Released			
	title	IP + 3P + 16S + 3P + IP VERTICAL PF RECEPT			dwg no	51940-526		rev	A
www.fci.com	cat. no.	*	Product - Customer Drw			sheet 3 of 4			

PRODUCT NUMBER

51940-526\_\_  
NOTE: 3

NOTES:

1. DIMENSIONS AND TOLERANCES ARE IN ACCORDANCE WITH ASME Y14.5M, 1994 UNLESS OTHERWISE SPECIFIED.

CONNECTOR NOTES:

- 2 HOUSING MATERIAL: UL 94 V-0 GLASS FILLED HIGH-TEMP THERMOPLASTIC  
POWER CONTACT MATERIAL: COPPER ALLOY  
SIGNAL PIN MATERIAL: COPPER ALLOY
- 3. SEE ITEM 7 & 8 IN PRINT 10064183 FOR PLATING SPEC OF 51940-526 AND 51940-526LF RESPECTIVELY.
- 4 MANUFACTURER'S NAME, DATE CODE AND OPTIONAL P/N TO APPEAR ON THIS SURFACE. THE MARK CAN BE OMITTED IF THERE IS NOT ENOUGH SPACE ON THIS SURFACE.
- 5. PRODUCT SPECIFICATION GS-12-149.  
APPLICATION SPECIFICATION BUS-20-067.
- 6. PACKAGED IN TRAYS.
- PCB NOTES:
- 7. ALL HOLE DIAMETERS ARE FINISHED HOLE SIZE.
- 8 MOUNTING HOLES, WHERE APPLICABLE, ARE UNPLATED.
- 9  $\varnothing 1.151 \pm 0.025$  DRILLED HOLES PLATED WITH  
0.008 MIN SnPb OR Sn OVER 0.03  
TO 0.08 Cu PLATING TO ACHIEVE  
 $\varnothing 1.02 \pm 0.07$  HOLE.
- 10 CONNECTOR KEEP-OUT ZONE.
- 11. THE VOID CORING IN BETWEEN POWER MODULES, SIGNAL MODULES AND END MODULES ARE OPTIONAL AND THE SHAPE MAY BE DIFFERENT FOR OPTIMIZE THE MOLDING PROCESS. THE VOID CORING WILL NOT EFFECT TO PRODUCT FUNCTION.



Copyright FCI.

dr	Ruan MT	2014/03/25	projection 	MM 	size	A4	scale	1:1	
eng	Ruan MT	2014/04/16			ecn no	-			
chr	-	-							
appr	Pei-Ming Zheng	2014/04/16	product family	PwrBlade	rel level	Released			
	title	IP + 3P + 16S + 3P + IP			dwg no	51940-526		rev	A
www.fci.com	cat. no.	*	Product - Customer Drw			sheet 4 of 4			