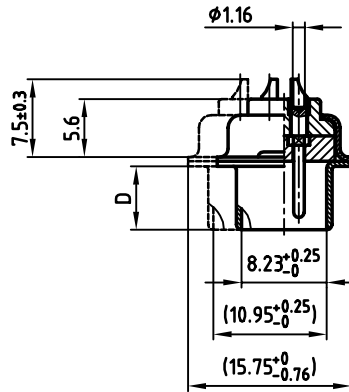
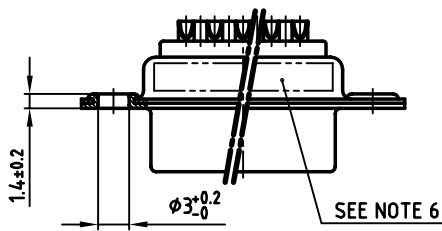
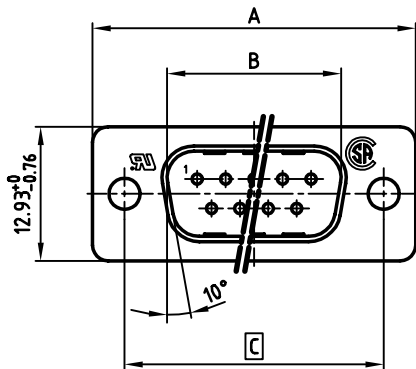


used for: D-SUB



Dimensions in (---) = 50 pos.

No. of pos.	A ^{-0.76}	B ^{+0.25}	C	D ^{-0.3}	Part No:
9	31.19	16.79	25.00 ^{-0.12/-0.13}	6.12	161A10019X
15	39.52	25.12	33.30 ^{-0.15/-0.1}	6.12	161A10029X
25	53.42	38.84	47.04±0.13	5.99	161A10039X
37	69.70	55.30	63.50±0.13	5.99	161A10049X
50	67.31	52.68	61.10 ^{+0.14/-0.11}	5.99	161A10059X

NOTES:

1. METALSHELLS: STEEL; 315µm YELLOWCHROME OVER 120µm ZINC
2. INSULATORS: PBT GF UL 94 V-0, BLACK
3. CONTACTS: COPPER ALLOY
4. PLATING: min. 8µ" HARD GOLD OVER min. 50µ" NICKEL
5. SOLDER CUP ACCEPTS CABLE AWG 20
6. CONNECTOR IS PART MARKED: [PART-NO. CONEC Y/WW]
7. □ = CRITICAL DIMENSION

THIS DRAWING MAY NOT BE COPIED OR REPRODUCED IN ANY WAY, AND MAY NOT BE PASSED ON TO A THIRD PARTY, WITHOUT WRITTEN PERMISSION. OWNERSHIP AND COPYRIGHT OF CONEC GmbH DO NOT ALTER CAD DRAWING BY HAND

tolerance		scale: 2:1	
		material: SEE NOTES	
2002	date	name	
drawn	13.03.	Schmidt	
appd.	13.03.	Mickenbecker	
norm	DIN 41652		
d-old	KAT11F3A		
rev.		description	
date		name	
title:		D-SUB Plug connector	
		Solder cup accepts cable AWG 20 with through hole, 9 - 50 pos.	
dwg no:		AutoCAD 2000	DIN-A
		16K1A607	3
			sh: 1/1
part no:		SEE TABLE	

