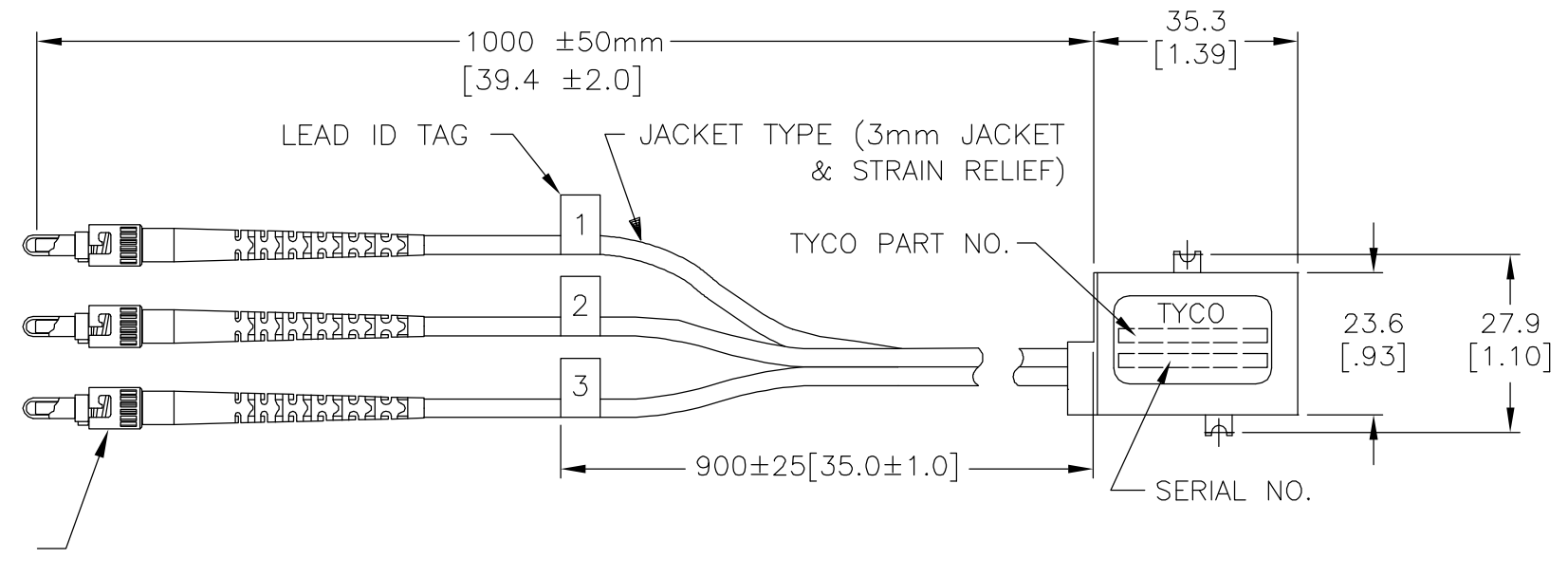
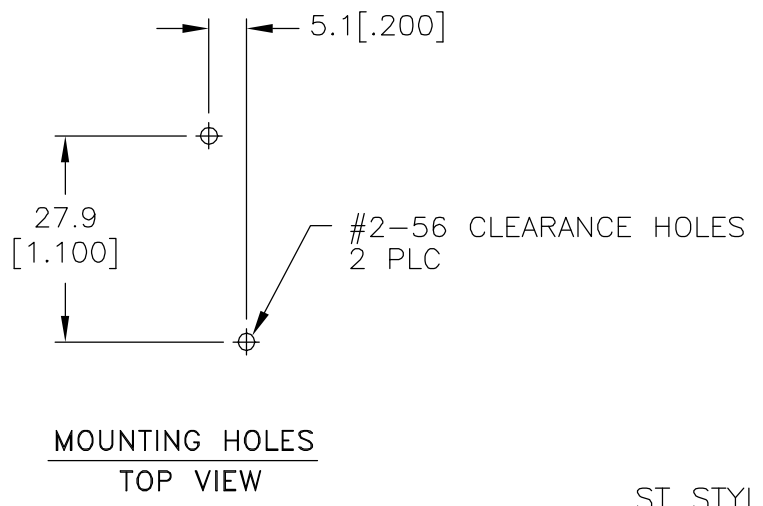
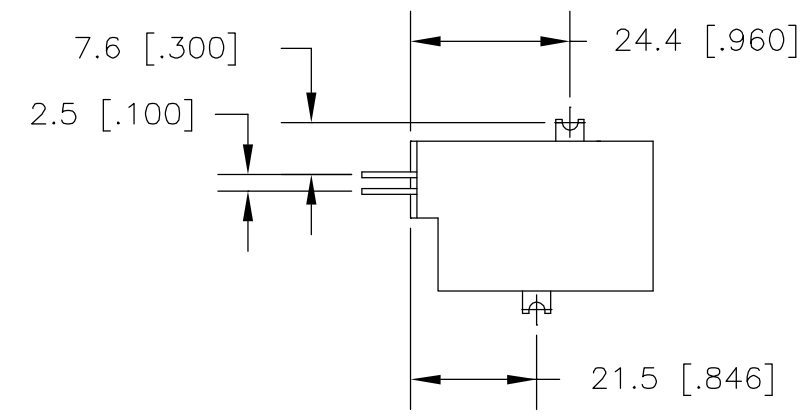
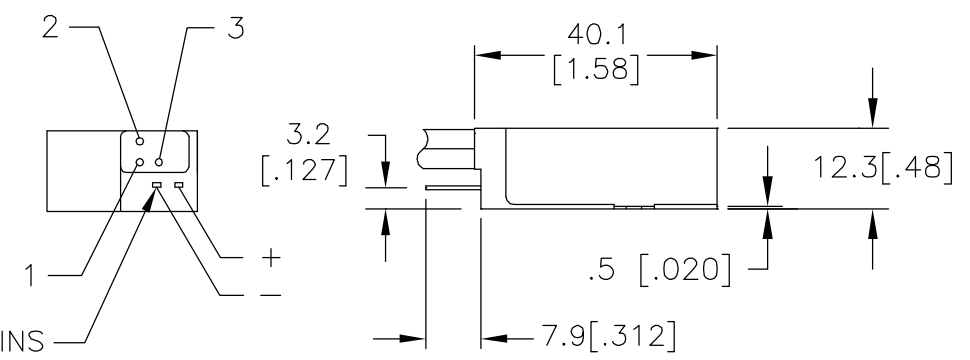


THIS DRAWING IS UNPUBLISHED. RELEASED FOR PUBLICATION
 © COPYRIGHT - BY TYCO ELECTRONICS CORPORATION. ALL RIGHTS RESERVED.

LOC	DIST	REVISIONS					
EA	51	P	LTR	DESCRIPTION	DATE	DWN	APVD
			2	UPDATE	04DEC06	SM	RP



PART NO.	FIBER TYPE
5099427-1	50/125/250
5099427-2	62.5/125/250



NOTES:

- DIMENSIONS IN [] ARE IN INCHES.
- PERFORMANCE SPECIFICATIONS
 TESTED PER FOTP-34 METHOD A2
 INSERTION LOSS DATA INCLUDES TWO CONNECTED PAIRS
 INSERTION LOSS POWER OFF, FIBER 2 TO 1 1.8dB MAX
 POWER ON, FIBER 2 TO 3 1.8dB MAX

 OPTICAL CROSSTALK </=-45dB MAX PER FOTP-42
 OPERATING WAVELENGTH 750 TO 1450nm
 TESTED WAVELENGTH 1300nm
 POWER REQUIREMENTS 4.0 TO 5.5 VOLTS, 80ma MAX AT 5.0 VOLTS
 SWITCHING SPEED 10 MILLISECONDS MAX
- THIS PRODUCT HAS NOT COMPLETED VALIDATION TESTING.

PRELIMINARY

THIS DRAWING IS A CONTROLLED DOCUMENT.		DWN S. MONGOLD 05DEC05	Tyco Electronics Corporation Harrisburg, PA 17105-3608													
DIMENSIONS: mm [INCHES]		CHK R. PAUL 05DEC05														
TOLERANCES UNLESS OTHERWISE SPECIFIED:		APVD F. ABENDSCHEIN 05DEC05														
<table border="1"> <tr> <td>0 PLC</td> <td>± -</td> </tr> <tr> <td>1 PLC</td> <td>± 0.5</td> </tr> <tr> <td>2 PLC</td> <td>± -</td> </tr> <tr> <td>3 PLC</td> <td>± -</td> </tr> <tr> <td>4 PLC</td> <td>± -</td> </tr> <tr> <td>ANGLES</td> <td>± 2'</td> </tr> </table>		0 PLC	± -	1 PLC	± 0.5	2 PLC	± -	3 PLC	± -	4 PLC	± -	ANGLES	± 2'	PRODUCT SPEC -	NAME SW11 1X2	
0 PLC	± -															
1 PLC	± 0.5															
2 PLC	± -															
3 PLC	± -															
4 PLC	± -															
ANGLES	± 2'															
MATERIAL -		APPLICATION SPEC -	GOLD (STRAIGHT PIN)													
FINISH -		WEIGHT -	SIZE A3	CAGE CODE 00779												
		CUSTOMER DRAWING	DRAWING NO C=5099427	RESTRICTED TO -												
			SCALE 1:1	SHEET 1 OF 1												
				REV 2												