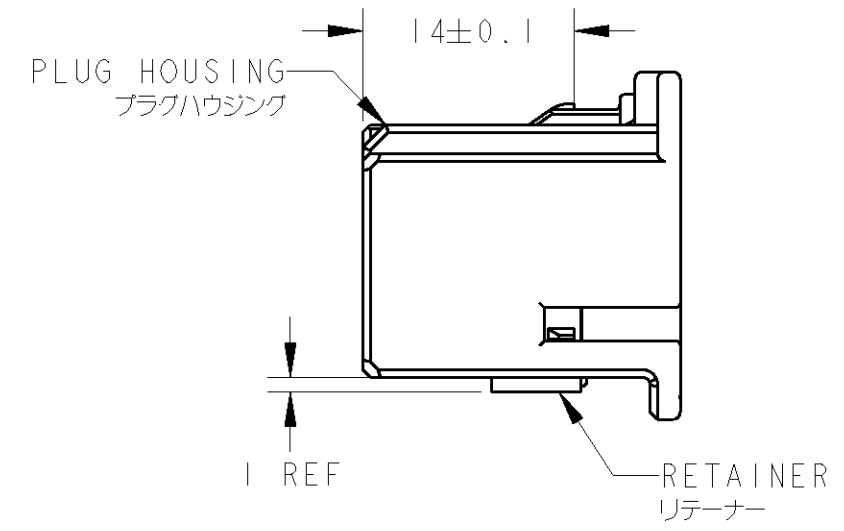
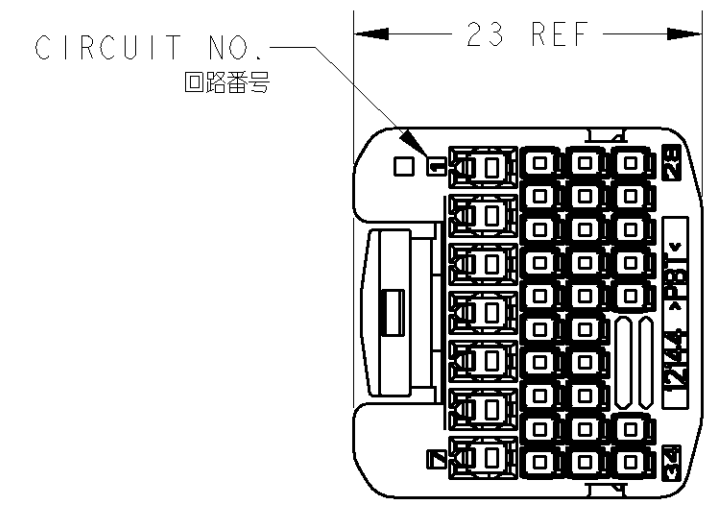
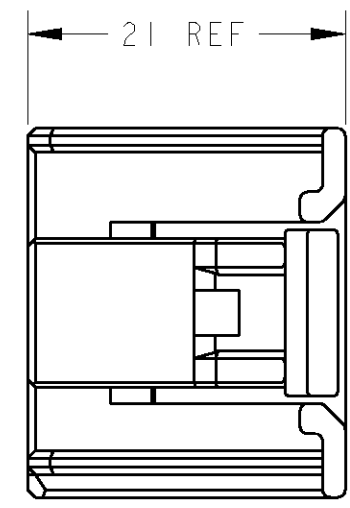
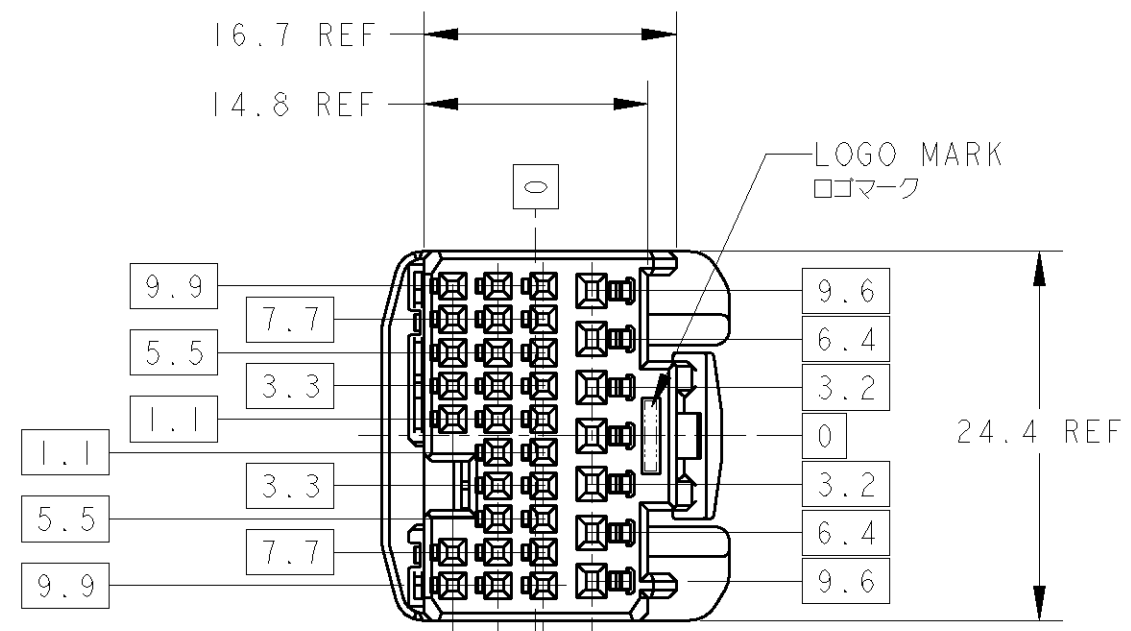


THIS DRAWING IS UNPUBLISHED. RELEASED FOR PUBLICATION 20  
 © COPYRIGHT 20 BY TYCO ELECTRONICS CORPORATION. ALL RIGHTS RESERVED.

LOC	DIST	REVISIONS						
		P	LTR	DESCRIPTION	ECN	DATE	DWN	APVD
J		A		REVISED	FJA0-0626-03	19JAN04	YM	HY
		AI		REVISED	ECR-07-013523	07JUN07	TS	KB



1. RETAINER SHOULD BE SENT TO THE PRE-ASSEMBLY POSITION WITHIN THE PLUG HOUSING WHEN SHIPPED TO THE CUSTOMER.
2. THE PRE-RETENTION LATCH OF THE RETAINER MUST BE OUT SIDE OF PLUG HOUSING WHEN PRE-ASSEMBLY.
3. RETAINER RETENTION FORCE FROM HOUSING: 30N MIN.
4. INSTRUCTION SHEET NO. 411-5932.
5. PART NUMBER OF CAP HOUSING TO BE MATED: SEE TABLE-1
6. APPLIED TERMINALS: SEE TABLE-2
7. RETAINER IS THE SAME COLOR AS HOUSING.

1. プラグハウジングにリテーナを仮係止して出荷される。
2. 仮係止時、リテーナ突起がハウジングの外側に出ていること。
3. リテーナの仮係止保持力は、30N 以上。
4. 取扱説明書NO. 411-5932
5. 嵌合相手型番: TABLE-1参照
6. 適用端子: TABLE-2参照
7. リテーナはハウジング本体と同色とする。

TABLE-2

		TERMINAL NO 端子型番	APPLICABLE WIRE RANGE 適用電線
SIGNAL 025	TIN	1123343-1	AVSS/CAVS/CAVUS/AVSSH-f 0.22~0.5mm <sup>2</sup>
	SELECTIVE GOLD	1123343-2	
POWER 040 III	SELECTIVE GOLD	316837-2	AVSS/CAVS/CAVUS 0.3~0.85mm <sup>2</sup> AVS 0.3~0.5mm <sup>2</sup>
	TIN	316836-1	AVS 0.5mm <sup>2</sup> AVSS/CAVS 0.85~1.25mm <sup>2</sup> CAVUS 1.25mm <sup>2</sup>
		316838-1	

TABLE-1

POS 極数	CAP ASSEMBLY PART NO キャップ 型番
167	1318813
135	1376430

PAPER BOX ダンボール	PLASTIC BAG ビニール袋	COLOR	PART NUMBER
		BLACK	1123337-2
		NATURAL	1123337-1
OUTER 外表	INNER 内装	COLOR	PART NUMBER

THIS DRAWING IS A CONTROLLED DOCUMENT FOR TYCO ELECTRONICS CORPORATION  
 IT IS SUBJECT TO CHANGE AND THE CONTROLLING ENGINEERING ORGANIZATION  
 SHOULD BE CONTACTED FOR THE LATEST REVISION.

DIMENSIONS: 単位: 概 mm	TOLERANCES UNLESS OTHERWISE SPECIFIED: 一般公差: ±0.3
	0-PLC ±
	1-PLC ±0.1
	2-PLC ±0.01
	3-PLC ±0.001
	4-PLC ±0.0001
ANGLES ±3'00"	
MATERIAL 材料	FINISH 仕上
PBT	SEE TABLE

DWN T. SHINOHARA 26APR02	Tyco Electronics AMP K.K. Kawasaki, Japan	
CHK H. YAMAGAMI 26APR02		
APVD H. YAMAGAMI 26APR02		
PRODUCT SPEC 108-5674	NAME 025/040 EFI ECU CONNECTOR PLUG HOUSING ASSY 34 POSITION	
APPLICATION SPEC 114-5217, 5250	SIZE A3	CAGE CODE 00779
WEIGHT 5.8g	DRAWING NO C=1123337	RESTRICTED TO
CUSTOMER DRAWING	SCALE 2:1	SHEET 1 OF 1