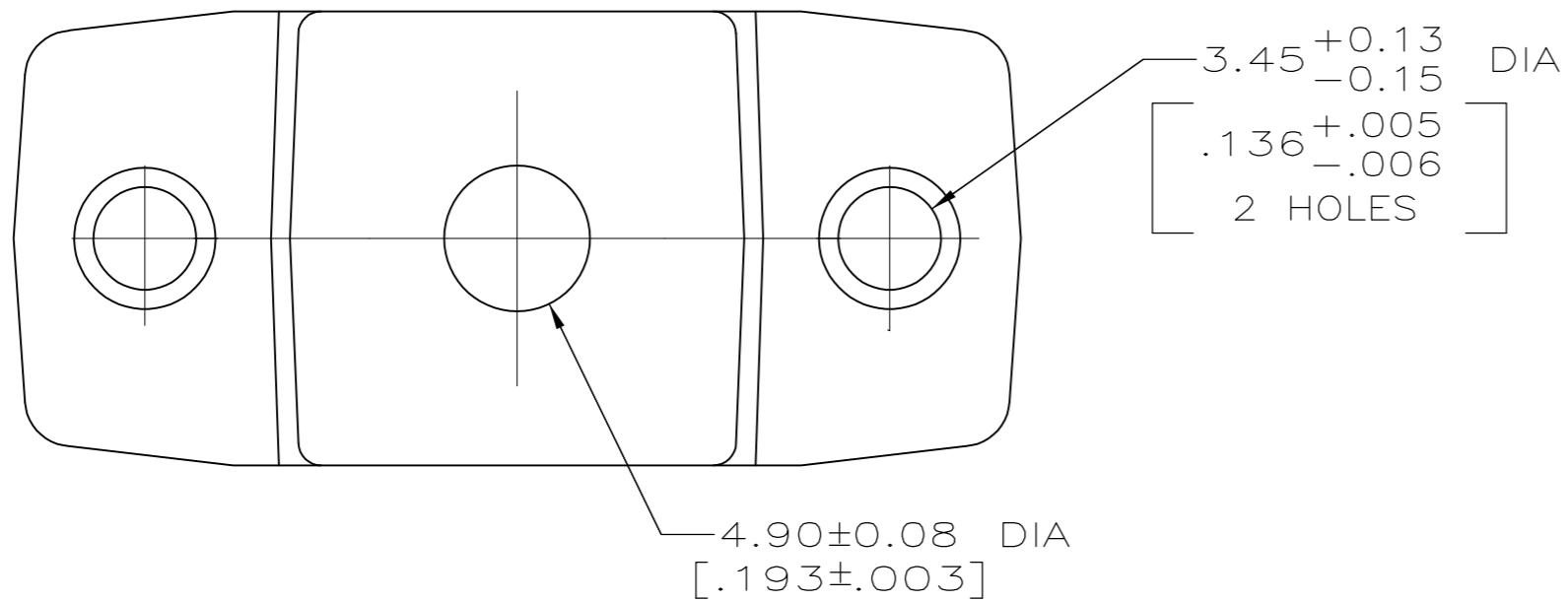
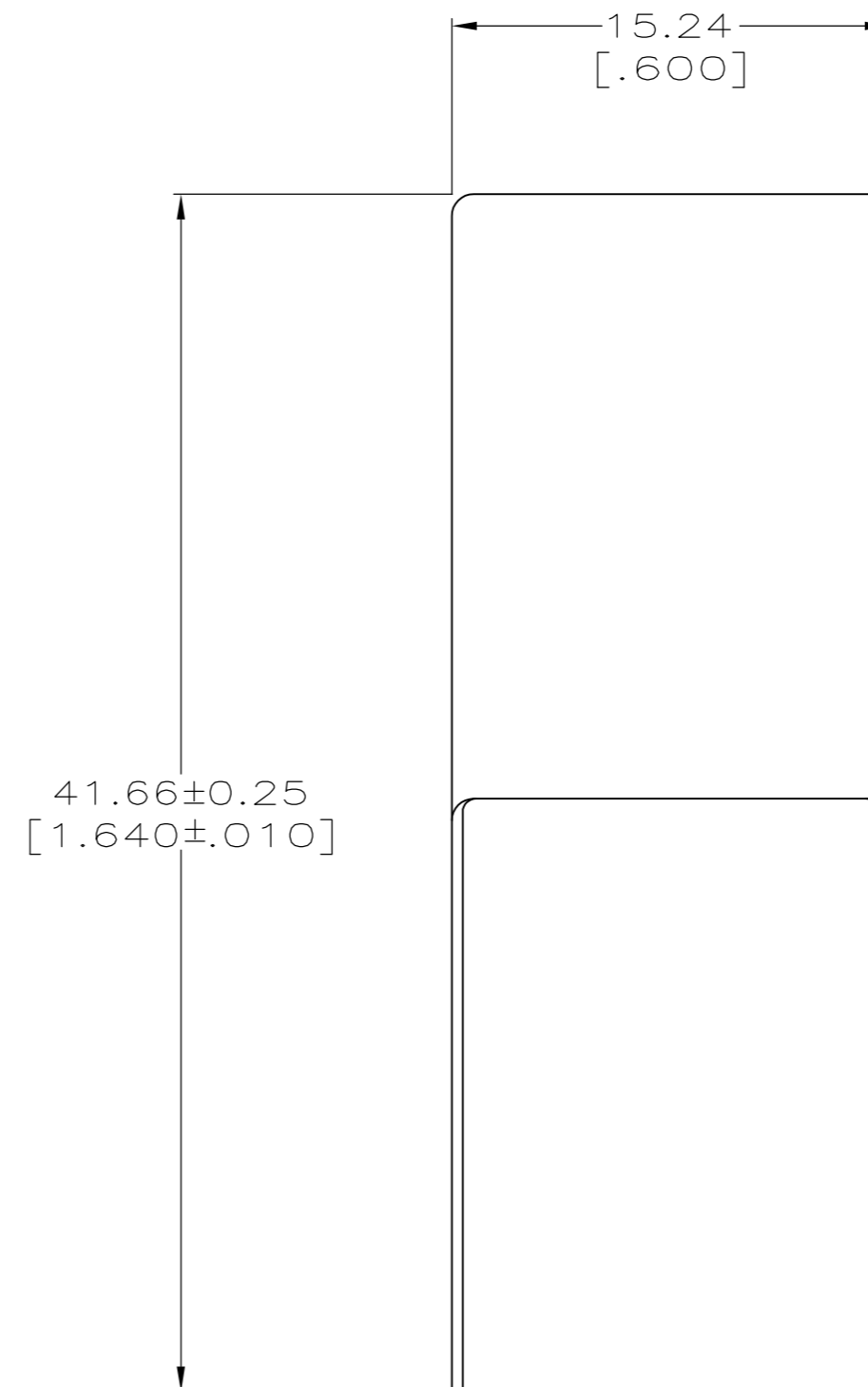
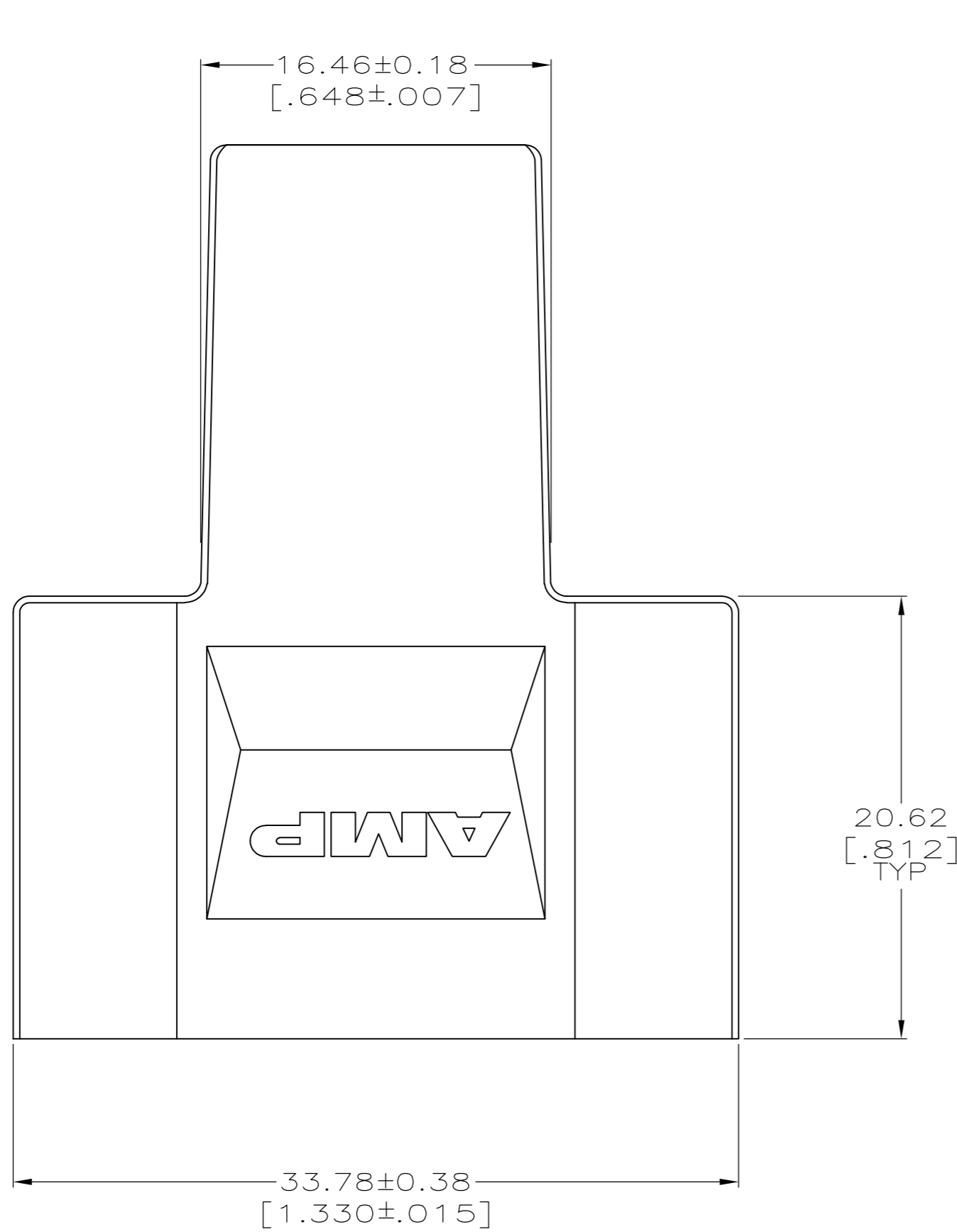


THIS DRAWING IS UNPUBLISHED. RELEASED FOR PUBLICATION
 © COPYRIGHT - By - ALL RIGHTS RESERVED.

LOC		DIST		REVISIONS			
P	LTR	DESCRIPTION		DATE	DWN	APVD	
GP	00	A3	REVISED PER ECO-12-000193	30JAN2012	CJV	CWR	



- ① MATERIAL: PVC, UL94V-0.
- ② MATERIAL: TPV, UL94V-0, HALOGEN FREE.



OBSOLETE	②	BLACK	747932-7
	①	GREY	747932-5
	①	BLACK	747932-1
		MATERIAL	COLOR
			PART NUMBER

THIS DRAWING IS A CONTROLLED DOCUMENT.		DWN	L.SIPE	10/19/92									
DIMENSIONS: mm [INCHES]		CHK	R.STONE	10/19/92									
TOLERANCES UNLESS OTHERWISE SPECIFIED:		APVD	J.FULPONI	10/20/92									
0 PLC ± - 1 PLC ± - 2 PLC ± 0.13 [.005] 3 PLC ± - 4 PLC ± - ANGLES ± -		PRODUCT SPEC	-	NAME					SHIELDING ENCLOSURE, SIZE 1, AMPLIMITE TM				
MATERIAL SEE TABLE		FINISH	-	APPLICATION SPEC	114-40009	SIZE	A2	CAGE CODE	00779	DRAWING NO	C=747932	RESTRICTED TO	-
				WEIGHT	-	SCALE	4:1	SHEET	1 of 1	REV	A3		
				CUSTOMER DRAWING									