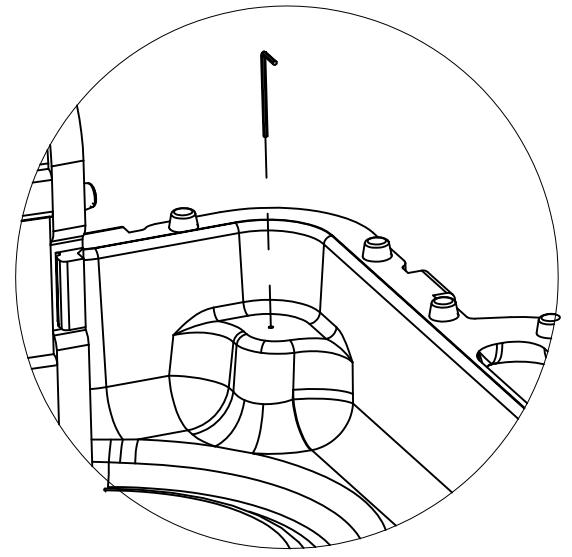
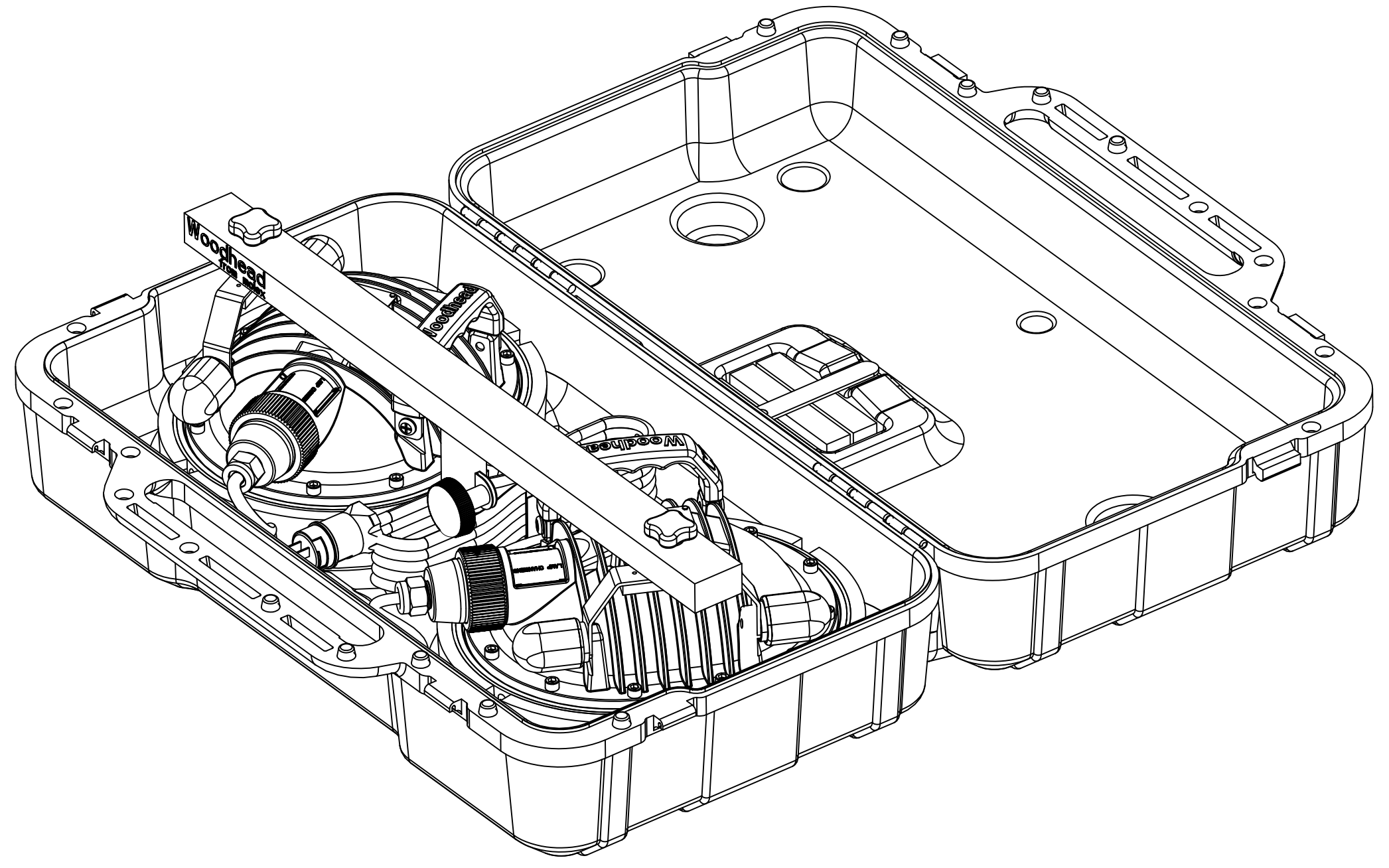


TWO SPARE BULBS  
(PACKAGED)

O-RING KIT PLACED BEHIND  
SPARE BULBS

5/64" ALLEN HEX WRENCH  
SEE DETAIL B



DETAIL B

ADD ENG. TABLE & SHEET 2 EC NO: WNA2010-0311 DRWN: MCHOJECK 11/5/09 CH'KD: --- APPR: DTITUS 2010/01/04	QUALITY SYMBOL ▽=0 ◻=0	GENERAL TOLERANCES (UNLESS SPECIFIED)		DIMENSION STYLE INCH		SCALE NTS	DESIGN UNITS INCH	THIRD ANGLE PROJECTION	
		4 PLACES ±--- ±--- 3 PLACES ±--- ±.005 2 PLACES ±--- ±.020 1 PLACE ±--- ±.010	mm INCH ±--- ±--- ±--- ±.005 ±--- ±.020 ±--- ±.010	DRAWN BY MC	DATE 2009/01/23	TITLE HAZARDOUS LOCATION STANCHION LIGHT			
		ANGULAR ±1/2°	DRAFT WHERE APPLICABLE MUST REMAIN WITHIN DIMENSIONS	CHECKED BY DT	DATE 2009/01/23	MOLEX INCORPORATED			
				APPROVED BY DTITUS	DATE 2009/12/04	MATERIAL NO. SEE TABLE	DOCUMENT NO. SD-130289-001	SHEET NO. 2 OF 2	
				SIZE C		THIS DRAWING CONTAINS INFORMATION THAT IS PROPRIETARY TO MOLEX INCORPORATED AND SHOULD NOT BE USED WITHOUT WRITTEN PERMISSION			