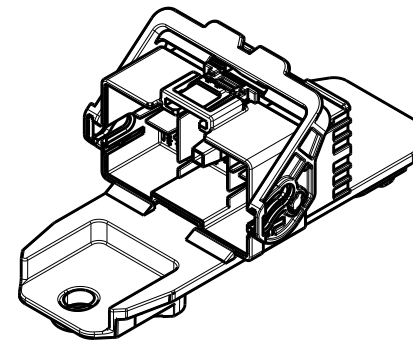


REVISIONS

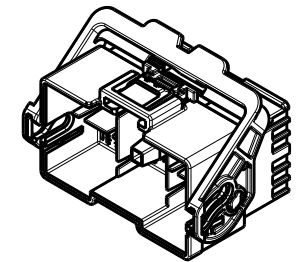
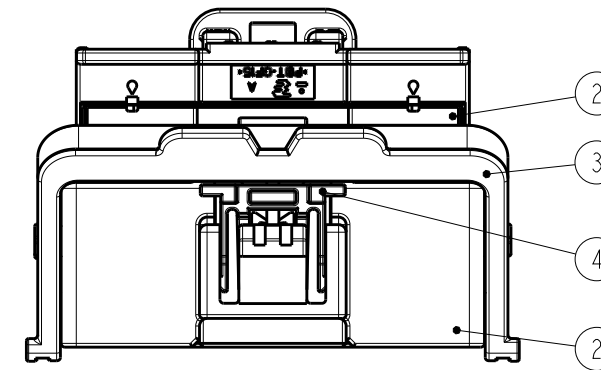
P	LTR	DESCRIPTION	DATE	DWN	APVD
		SEE SHEET 1			

2-2005275-3

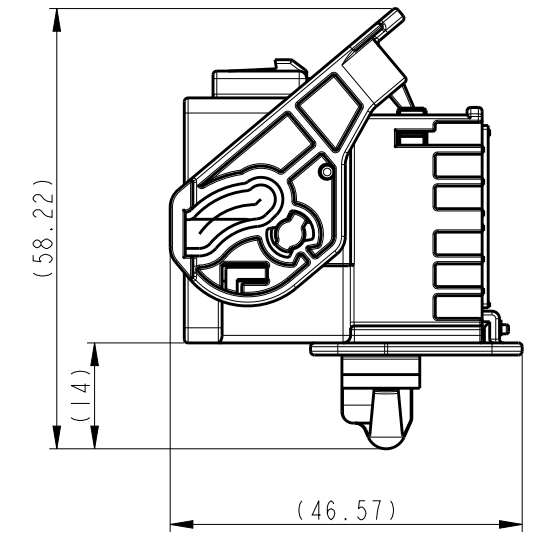
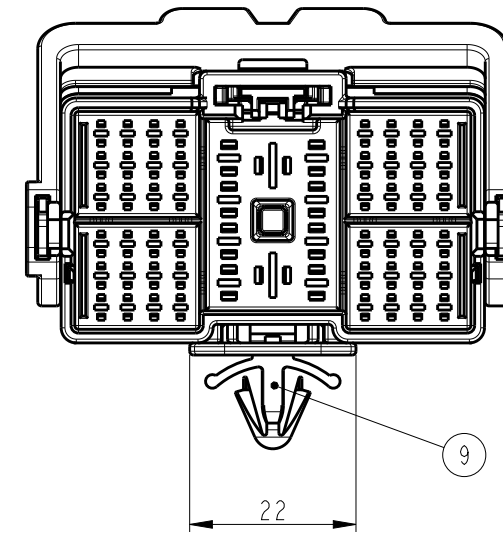
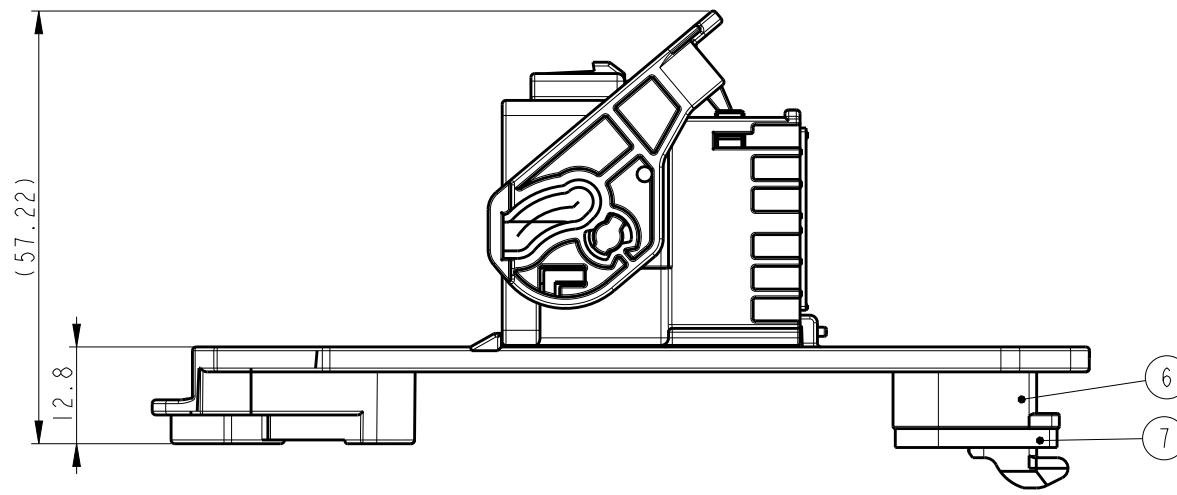
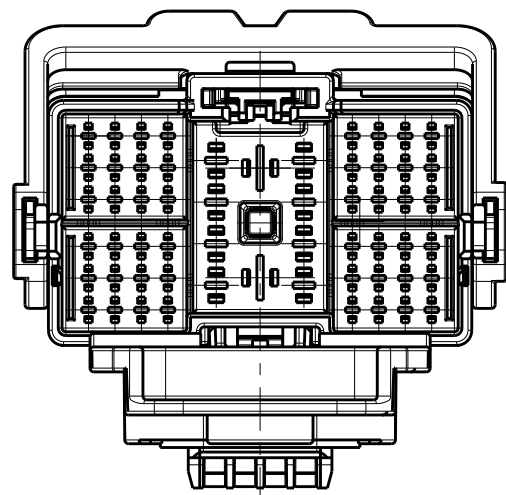
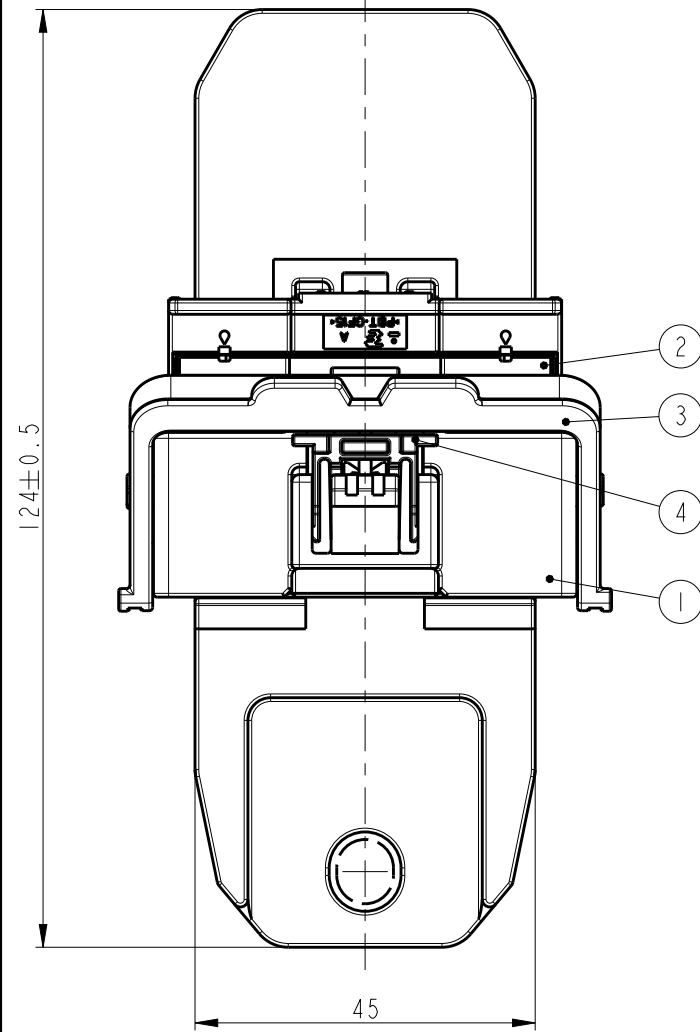
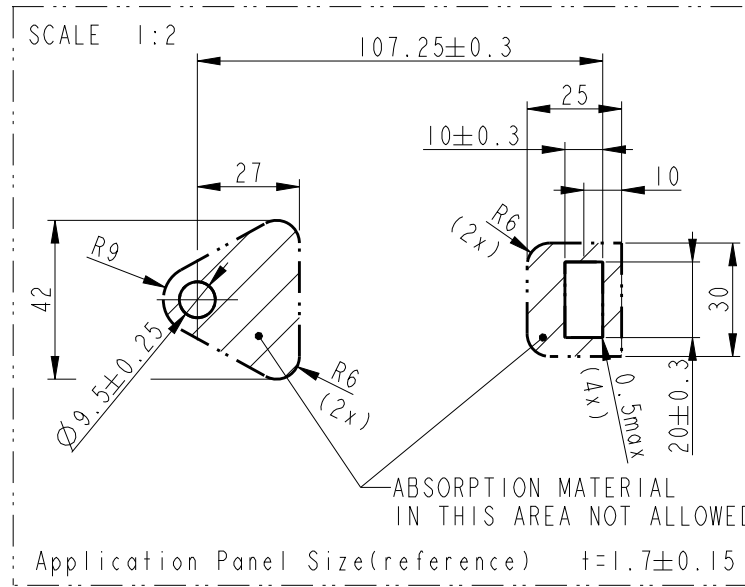


2-2005275-3 ISOMETRIC VIEW SCALE 1:2

4-2005275-3 (SUPERSEDES 2109050-3)



4-2005275-3 ISOMETRIC VIEW SCALE 1:2



THIS DRAWING IS A CONTROLLED DOCUMENT.

DIMENSIONS:		TOLERANCES UNLESS OTHERWISE SPECIFIED:	
mm		SEE NOTE	
		0 PLC	±
		1 PLC	±
		2 PLC	±
		3 PLC	±
		4 PLC	±
		ANGLES	±
MATERIAL		FINISH	

DWN	YH MA
CHK	KT LIM
APVD	HG CHO
PRODUCT SPEC	
APPLICATION SPEC	
WEIGHT	
CUSTOMER DRAWING	



NAME MT III/JPT/SPT HYB 58P CAP ASS'Y

SIZE	CAGE CODE	DRAWING NO	RESTRICTED TO
A3	00779	C-2005275	
SCALE 1:1		SHEET 2 OF 2	REV D