

# Type BLC-06B

## Fuse Block

### MID Limiter Fuses



www.optifuse.com (619) 593-5050

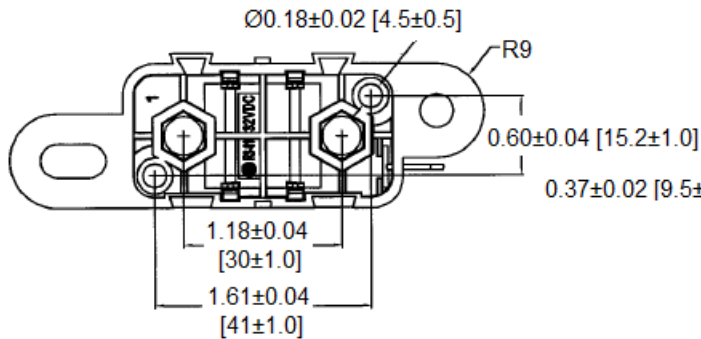
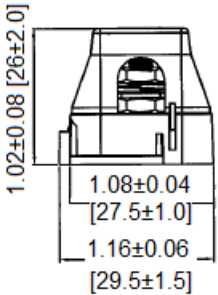
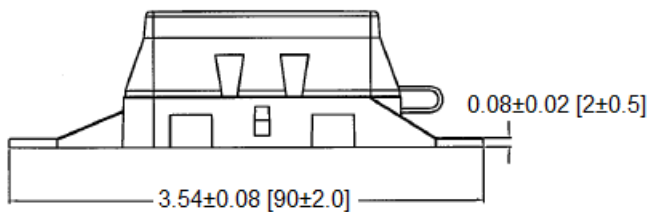
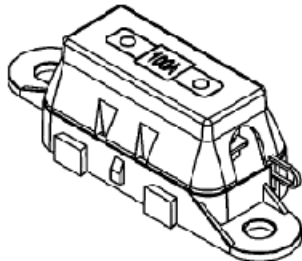
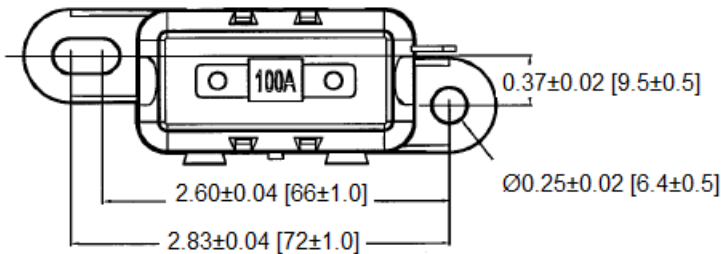
**Specifications:**

- Voltage Rating:** 32VDC
- Current Rating:** 30A~100A (max.)
- Wire Sizes:** #2-8AWG
- Fuse Type:** For Use with AMI fuse
- Torque Rating:** 20 in-lb (2.25Nm) max
- Mounting Torque Rating:** 44 in-lb (5Nm) max  
M6 screws with washers(recommended)
- Temperature Rating:** -40 °C to 125 °C
- Terminals:** M5 Threaded Studs and Hex Nuts for fuse mounting

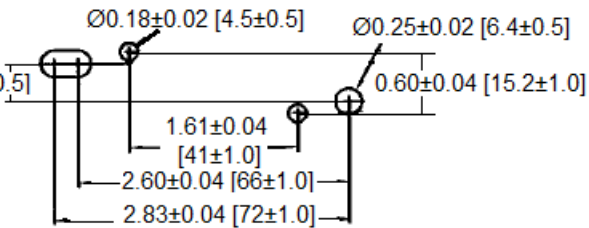
**Material:**

- Cover:** Nylon-66 (Black)
- Housing:** PBT.(Black)
- Screw:** Ni-Plated Steel Studs

**Mechanical Dimensions: Inches [mm]**



**MOUNTING HOLE DIMENSIONS**



	<p><b>Warning:</b> -Operation beyond the specified maximum ratings or improper use may result in damage and possible electrical arcing and/or flame.</p>
	<p>-Avoid contact of device with chemical solvent. Prolonged contact may damage the device performance.</p>