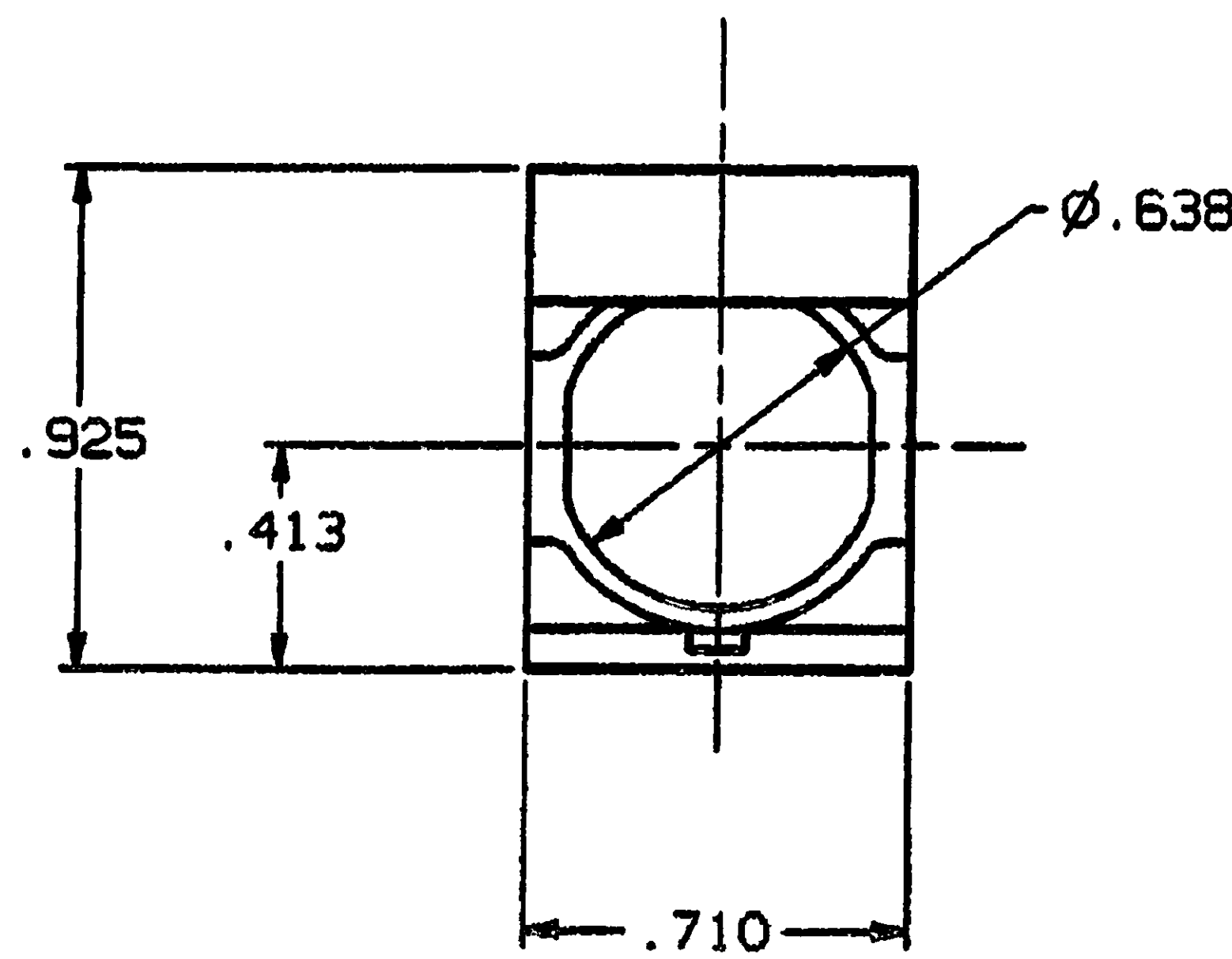
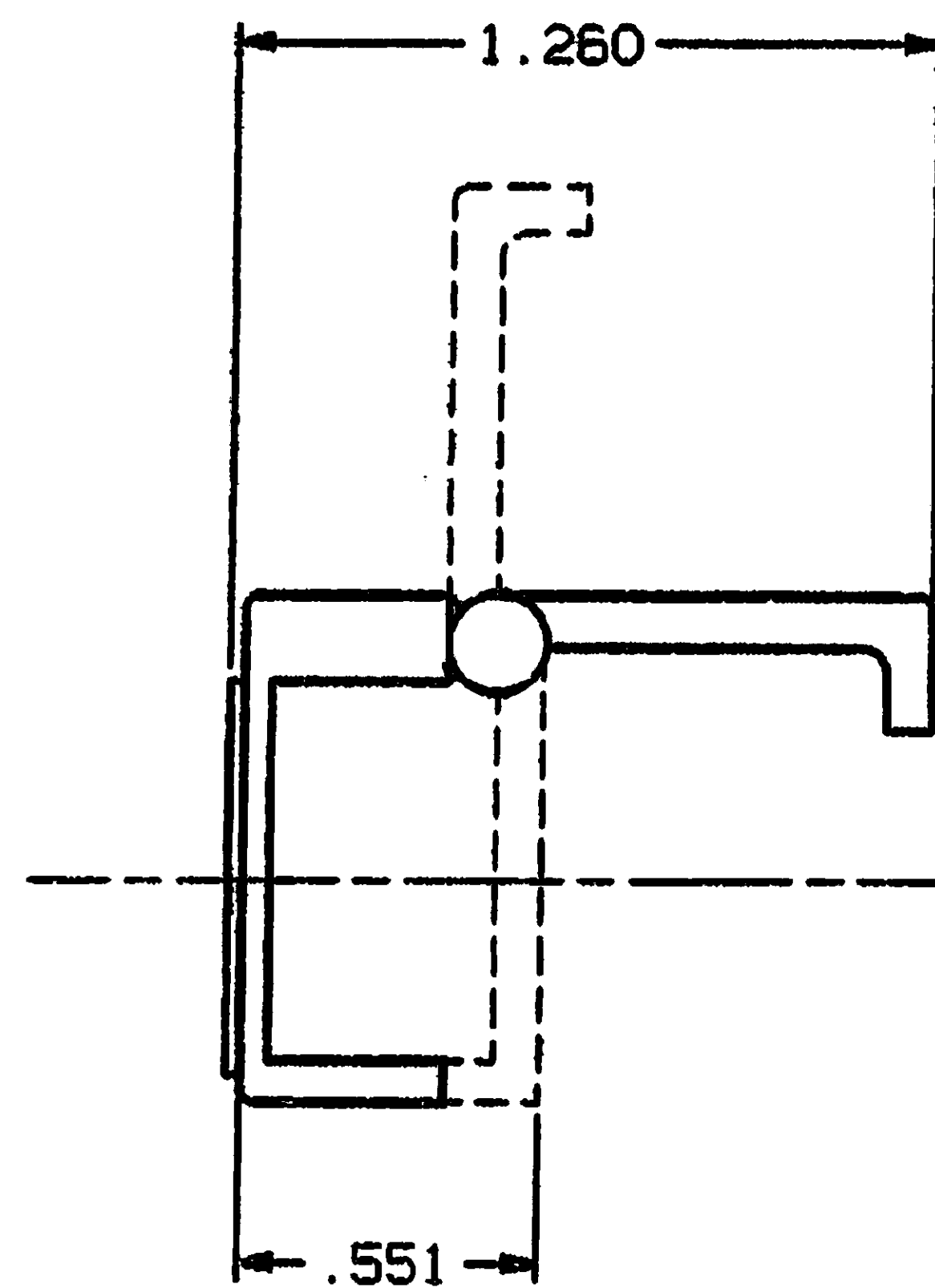
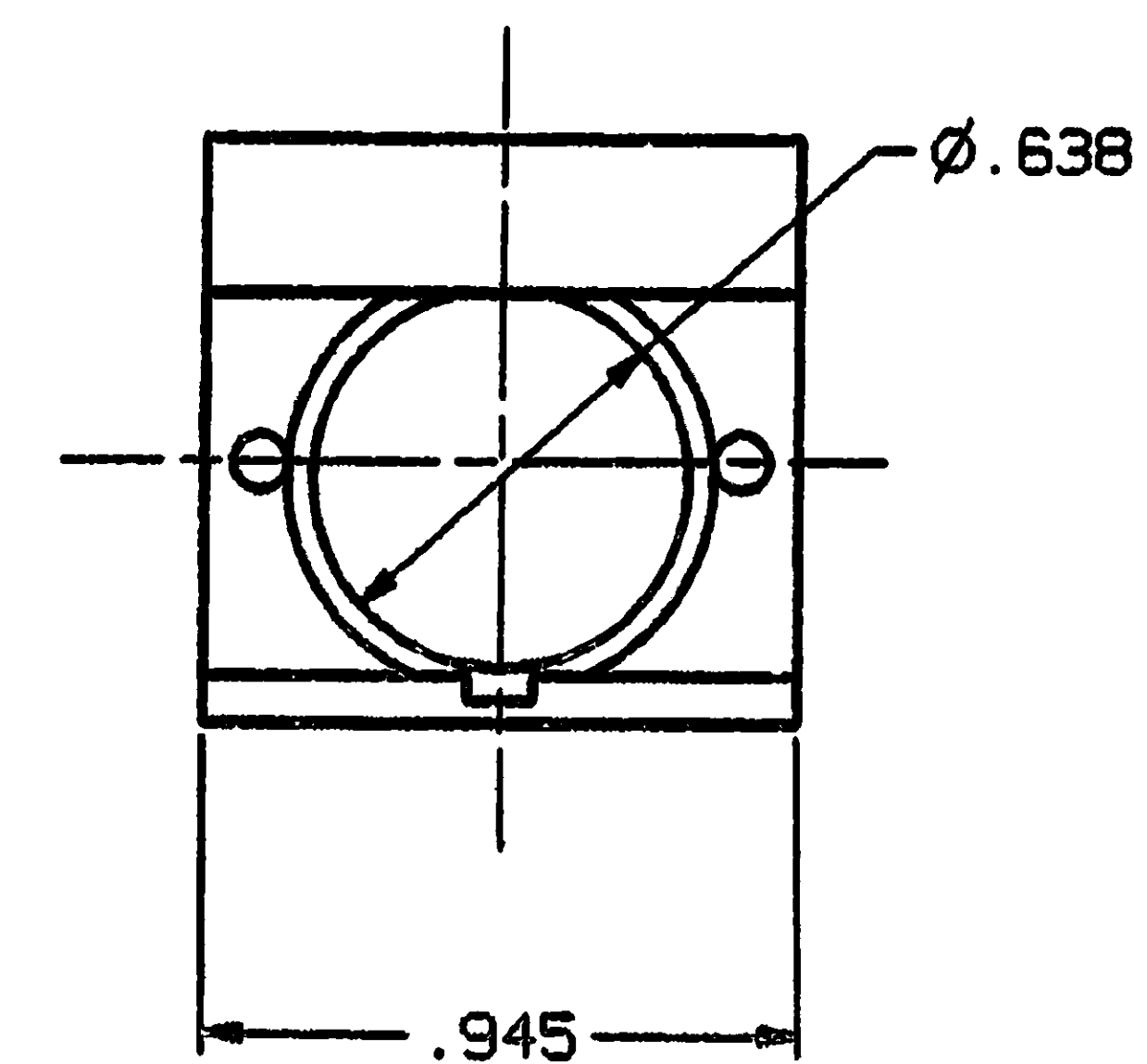


CONVERSION CHART	
INCH	MM
.413	10.5
.551	14.0
.638	16.2
.710	18.0
.925	23.5
.945	24.0
1.260	32.0

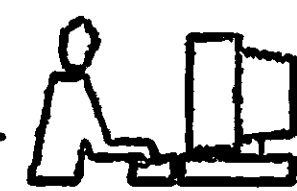


MODEL #671
SQUARE



MODEL #669
RECTANGULAR

THIS IS A C.A.D. GENERATED DRAWING.
DO NOT HAVE MANUAL REVISIONS TO PARTS.



REV 0	REVISIONS INT'L RELEASE ESR/AS288 TRU-D 5-10-94 APP-D	THIRD ANGLE PROJECTION	UNLESS OTHERWISE SPECIFIED DIMENSIONS ARE IN INCHES DO NOT SCALE PRINT		ORIGINAL DATE OF DRAWING: 5-10-94		452 JOHN DIETSCH BLVD. ATTLEBORO FALLS, MASS. 02763 INC.		
			TOLERANCES (EXCEPT AS NOTED) ANGULAR = $\pm 1/2^\circ$ DECIMAL .XX = \pm DECIMAL .XXX = $\pm .012$ (0.30) DECIMAL .XXXX = \pm	FILE NAME: 81092	DIRECTORY: GUIDE	DRAWN: TRU-D		DATE: 5-10-94	TITLE: COVER, FLIP SWITCH GUARD
			MATERIAL: PLASTIC	CHECKED: <i>W. J. King</i>		DATE: 5-11-94		DMG. NO. 81092	REV. 0
			FINISH: BASE-BLACK COVER-CLEAR	APPROVED: <i>W. J. King</i>	DATE: 5/11/94	CODE IDENT. NO. 91506			
AUGAT CONFIDENTIAL This document contains information which is the exclusive property of Augat Inc. Distribution, reproduction or use by others is not permitted without the expressed written consent of Augat Inc.			NEXT ASSY:	SCALE: NONE	SHEET 1 OF 1				