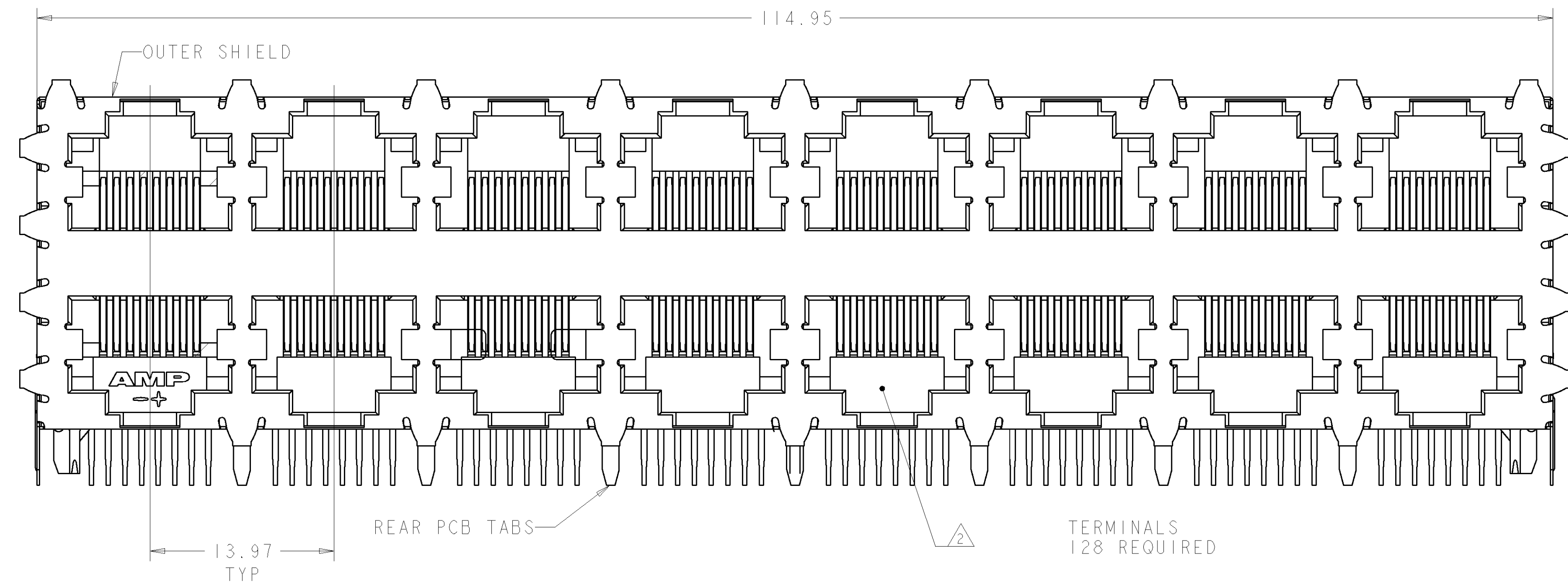
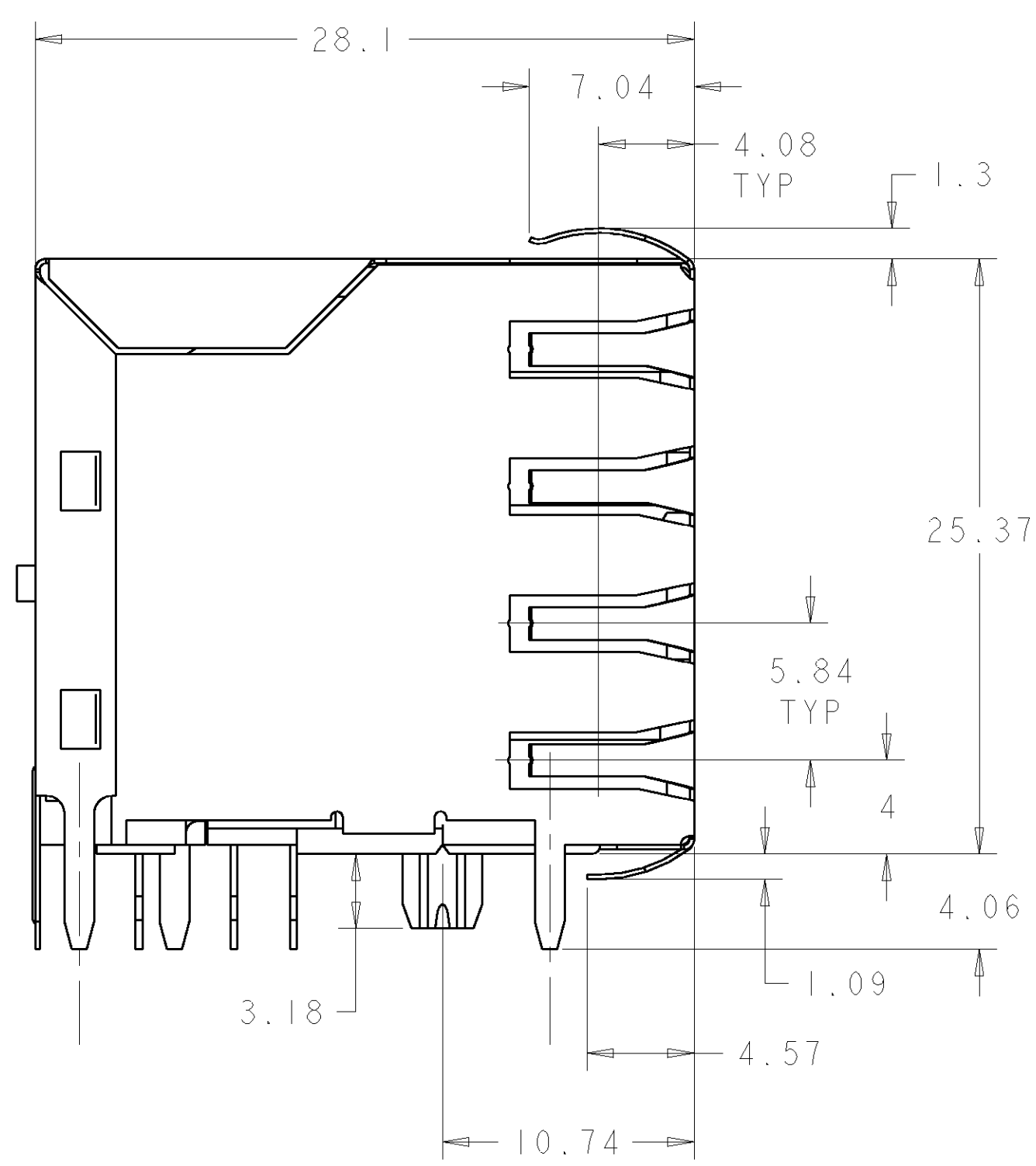
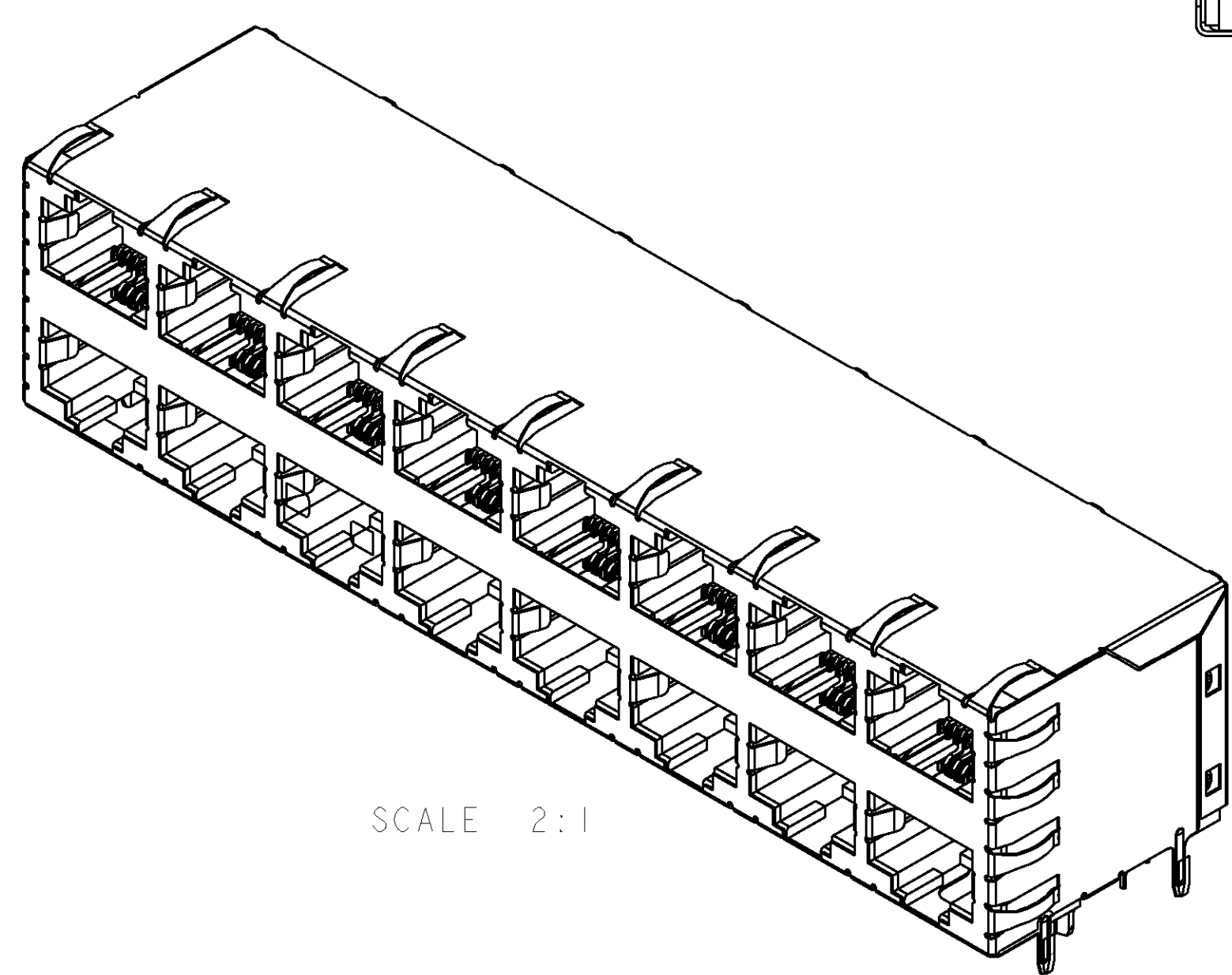
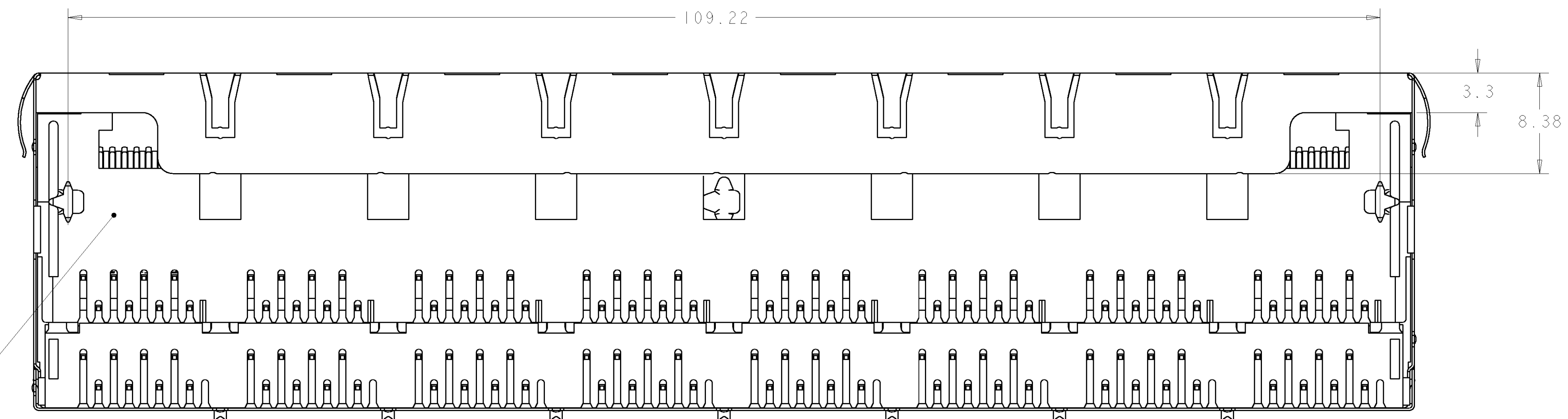


LOC		DIST		REVISIONS			
P	LTR	DESCRIPTION	DATE	DRN	APPD		
A		REV PER ECO11-0201-04	21JUN2005	GA	SF		
B		REV PER ECO-07-004583	02MAR2007	RG	JW		
<b>B1</b>		<b>REVISED PER ECO-10-000445</b>	<b>11JAN10</b>	<b>KK</b>	<b>AEG</b>		



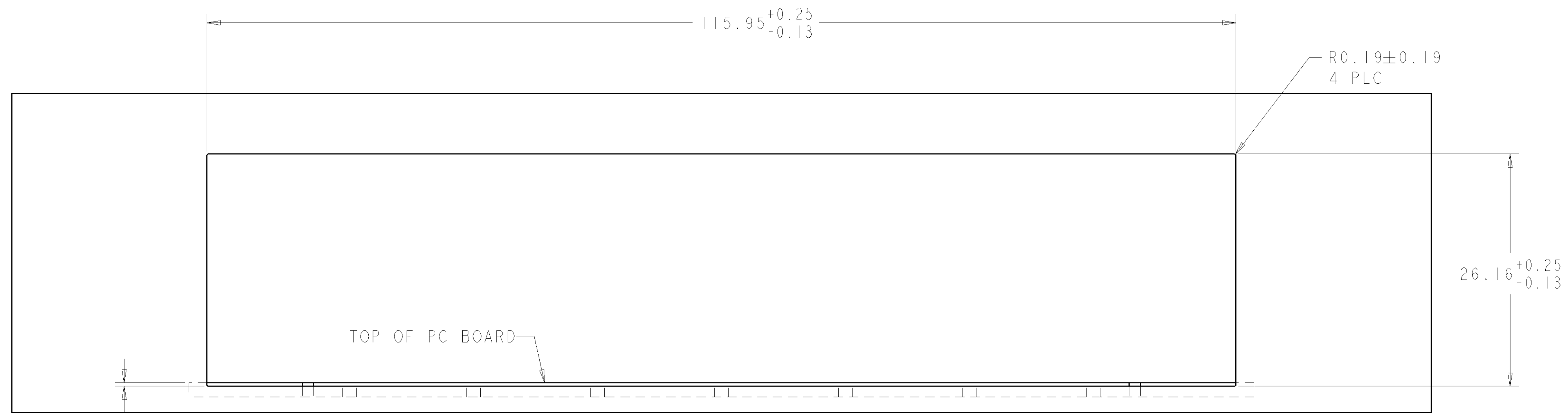
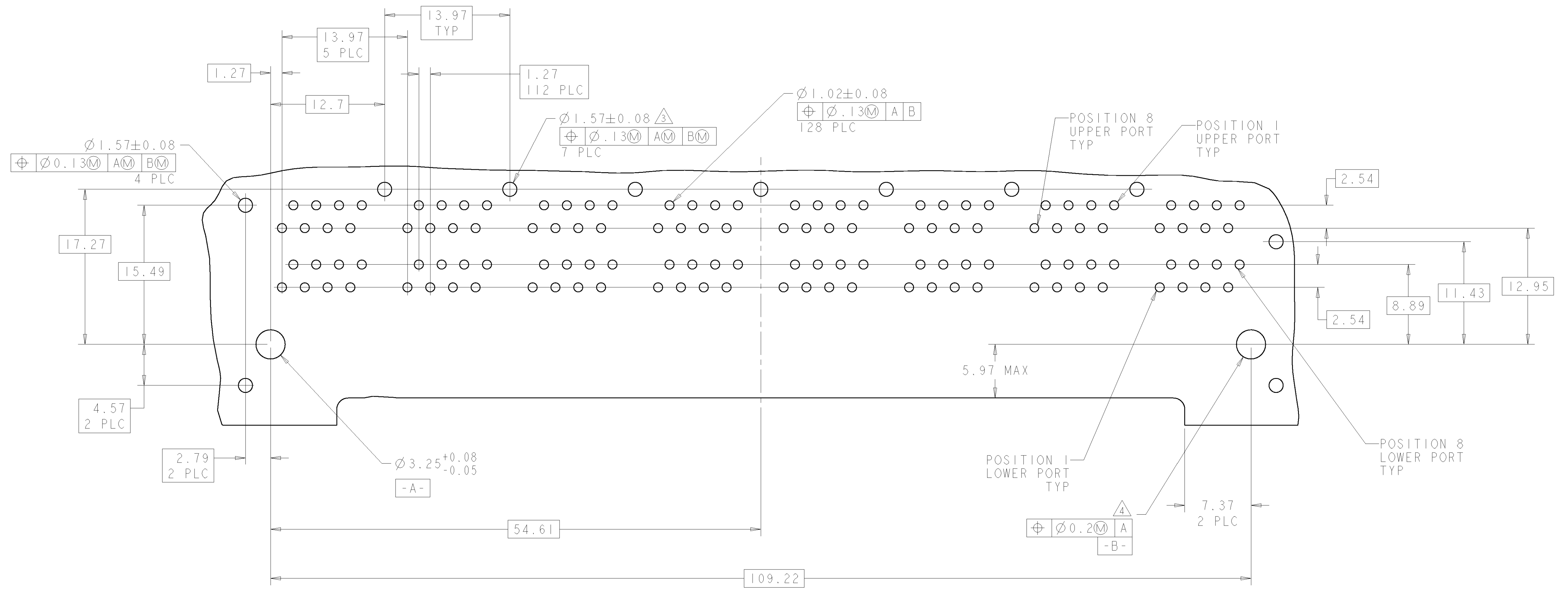
- △ HOUSING: PCT POLYESTER, BLACK, UL 94V-0. IR REFLOW PROCESS COMPATIBLE
- TERMINALS: 0.305 THICK PHOS BRONZE PLATED WITH 1.27µm MINIMUM THICK HARD GOLD IN LOCALIZED AREA AND 2.03µm MINIMUM THICK MATTE TIN IN SOLDER AREA OVER 1.27µm MINIMUM THICK NICKEL UNDERPLATE.
- SHIELD: 0.196 THICK COPPER ALLOY PLATED WITH 1.27µm MINIMUM NICKEL AND 2.03µm MINIMUM HOT TIN DIP ON PCB GROUND TABS.
- △ JACK CAVITY CONFORMS TO FCC RULES AND REGULATIONS, PART 68 SUBPART F
- △ PCB HOLES ONLY REQUIRED FOR 6339170-1
- △ USE #30 DRILL BIT OR 3.25mm DRILL BIT WHEN PRODUCING THESE PCB HOLES
- 5. RECOMMENDED APPLICATIONS: FAST ETHERNET, AND 10/100 BASE-T ETHERNET (CAT 5 TWO PAIR 1/2, 3/6)
- △ OBSOLETE PARTS: OBSOLETE CIS STREAMLINING PER D.RENAUD/D.SINISI



6 OBSOLETE	NONE	<del>6339170-2</del>
	7	6339170-1
	NUMBER OF REAR PCB TABS	PART NO.

DIMENSIONS:		TOLERANCES UNLESS OTHERWISE SPECIFIED:		DWN G. ATTADIA 21JUN2005		AMP Incorporated	
mm		0 PLC ±.25		CHK J. WESTMAN 21JUN2005		Harrisburg, PA 17105-3608	
Ø		1 PLC ±.25		APPD S. FLICKINGER 21JUN2005		NAME	
H		2 PLC ±.25		PRODUCT SPEC		ASSEMBLY, STACKED JACK, 2X8,	
L		3 PLC ±.25		APPLICATION SPEC		8 POSITION, SHIELDED,	
R		4 PLC ±.25		WEIGHT		WAVE PANEL GROUND	
S		ANGLES ±.25		SIZE		CAGE CODE DRAWING NO	
FINISH		MATERIAL		114-2048		A100779C=6339170	
FINISH		MATERIAL		CUSTOMER DRAWING		RESTRICTED TO	
FINISH		MATERIAL		SCALE 4:1		SHEET 1 OF 2	
FINISH		MATERIAL		REV		B1	

LOC	DIST	REV	DESCRIPTION	DATE	BY	APPD
AA	22		SEE SHEET 1			



DIMENSIONS: mm TOLERANCES UNLESS OTHERWISE SPECIFIED: 0 PLC ±.25 1 PLC ±.25 2 PLC ±.25 3 PLC ±.25 4 PLC ±.25 ANGLES ±.5		DWN LG ATTADIA 21 JUN 2005 ENR J WESTMAN 21 JUN 2005 APPD S FLICKINGER 21 JUN 2005 PRODUCT SPEC 108-1163-9 APPLICATION SPEC 114-2048 WEIGHT - CUSTOMER DRAWING	tyco AMP Incorporated Harrisburg, PA 17105-3608 NAME ASSEMBLY, STACKED JACK, 2X8, 8 POSITION, SHIELDED, WAVE PANEL GROUND SIZE CAGE CODE DRAWING NO. RESTRICTED TO A100779C=6339170 SCALE 4:1 SHEET 2 OF 2 REV B1
--	--	--	--