

MATERIALS AND FINISHES

BODY: BRASS  
PLATED TRI-M

CONTACT: PHOSPHER BRONZE  
PLATED SILVER

OUTER CONTACT: PHOSPHER BRONZE  
PLATED TRI-M

INSULATOR: TEFLON

PERFORMANCE REQUIREMENTS:

FREQUENCY RANGE: 0-6GHz  
IMPEDANCE: 50 Ω  
WITHSTAND VOLTAGE(AC): 1000V @0.5mA  
VSWR: ≤1.10(0-3GHz); 1.20(3-6GHz)  
PIM3(2x20W): ≤-160dBc@1800MHz  
PANEL LEAKAGE: IP68

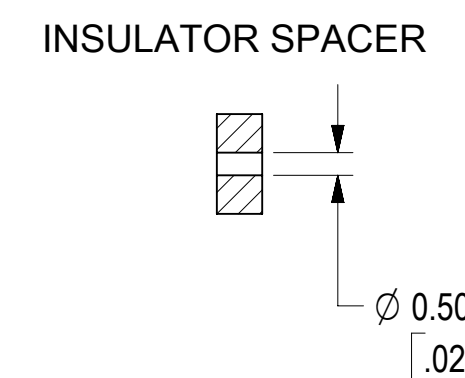
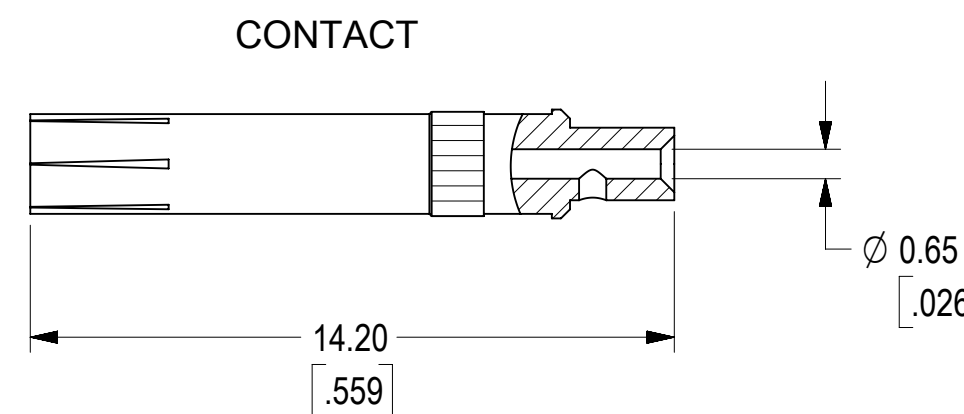
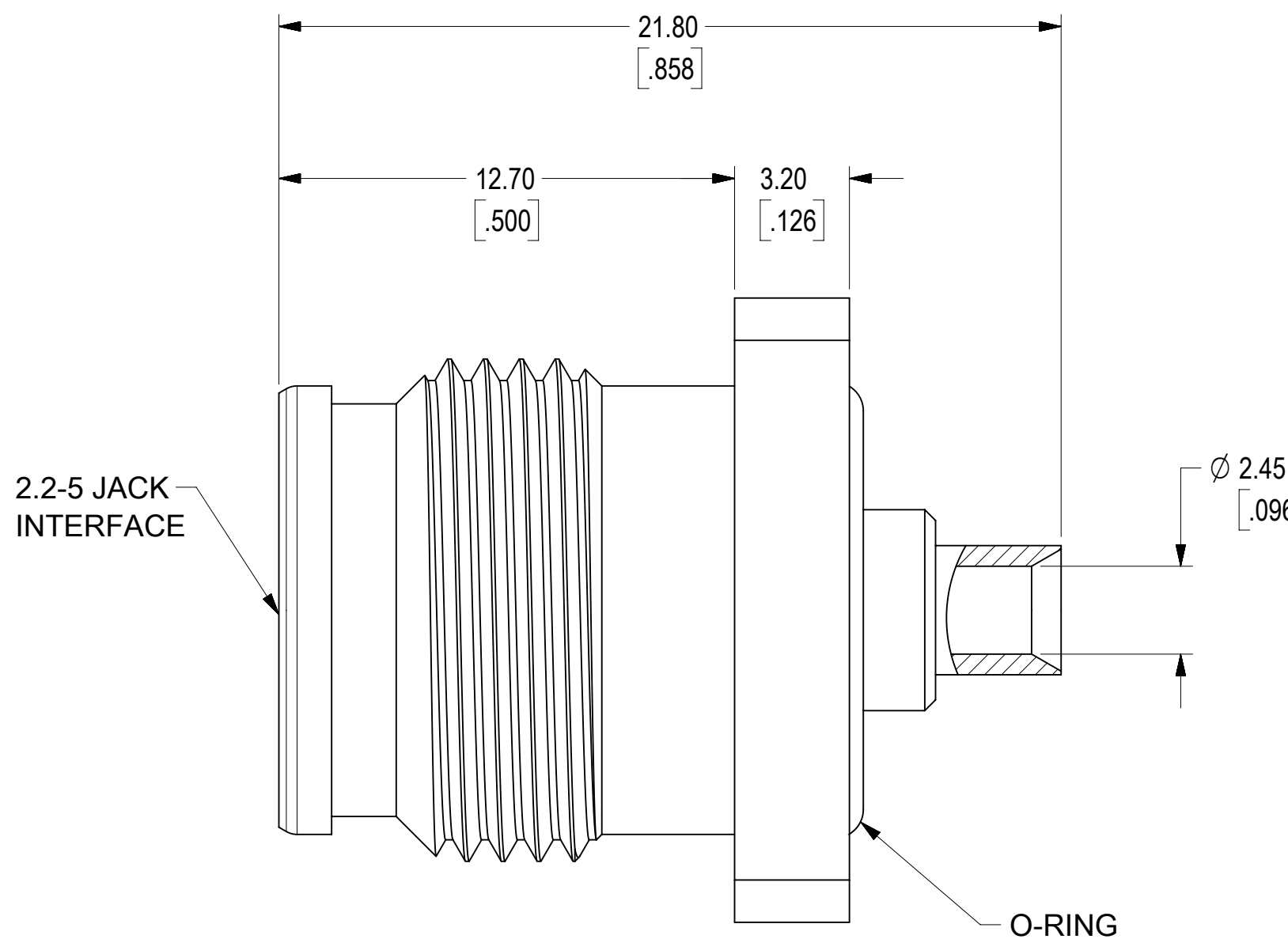
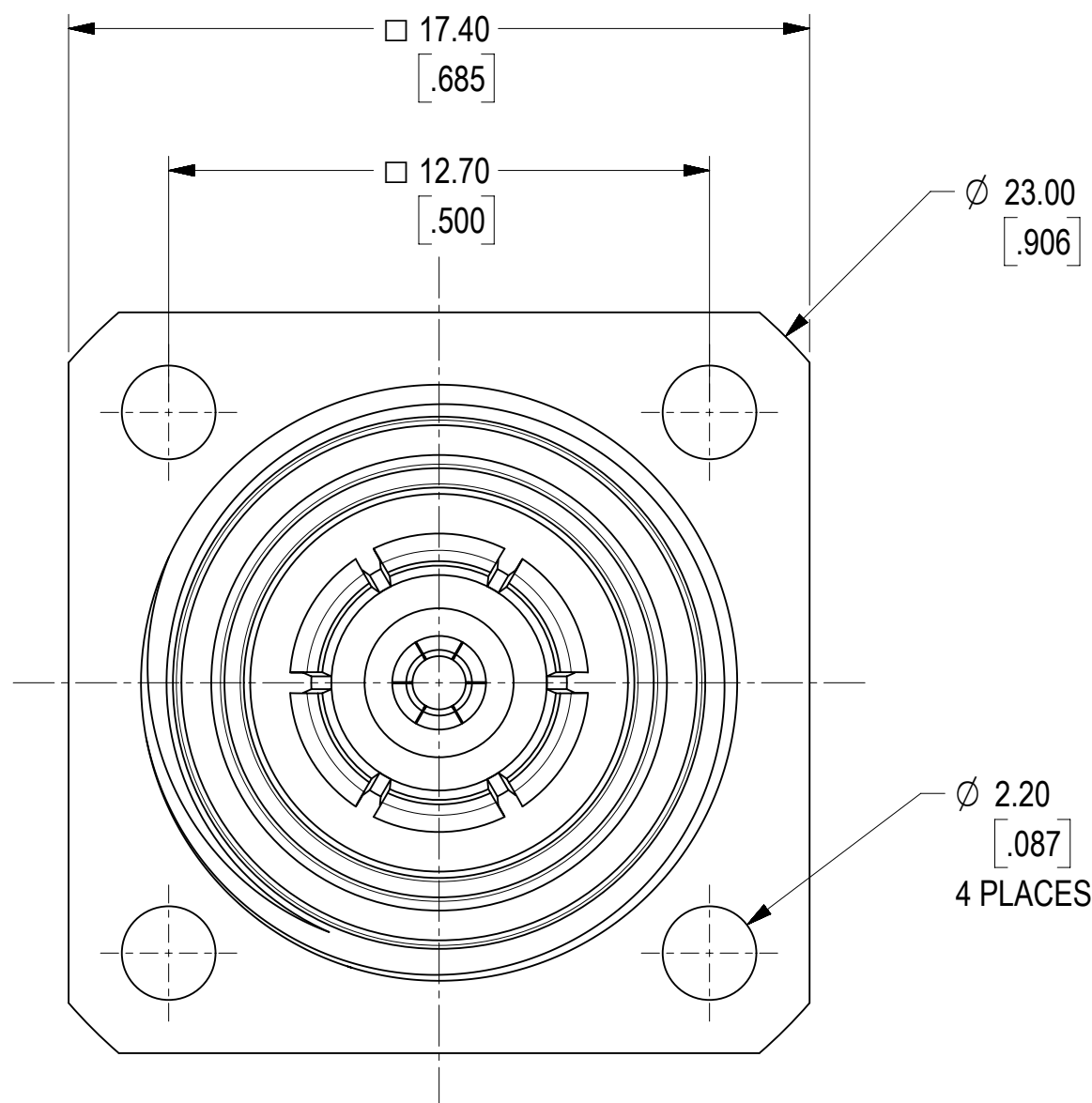
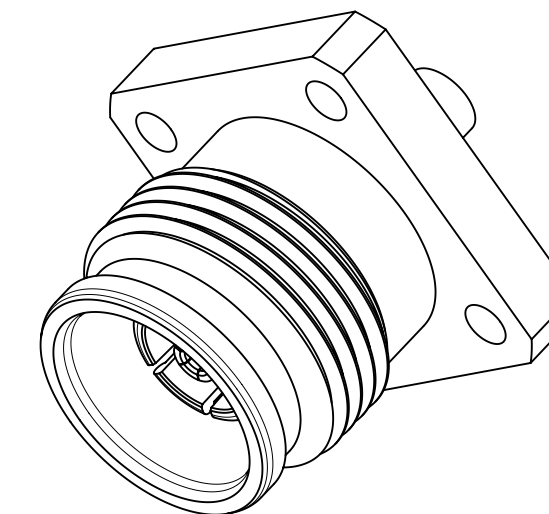


TABLE 2:

73225-0131	YES	BY TRAY
73225-0130	NO	BLANK
PART NO.	DUST CAP	PACKAGING

TABLE 1:

SPECIFICATION	DESCRIPTION
-----	2.2-5 INTERFACE

THIS DRAWING CONTAINS INFORMATION THAT IS PROPRIETARY TO MOLEX ELECTRONIC TECHNOLOGIES, LLC AND SHOULD NOT BE USED WITHOUT WRITTEN PERMISSION											
SYMBOLS		DIMENSION UNITS		SCALE		CURRENT REV DESC:					
▽ = 0		MM/INCH		6:1		EC NO: 634231					
▽ = 0		GENERAL TOLERANCES (UNLESS SPECIFIED)				DRWN: YHUANG11 2019/12/26					
▽ = 0		ANGULAR TOL ± 2.0°				CHK'D: LCHEN03 2020/03/20					
▽ = 0		4 PLACES ±				APPR: LCHEN03 2020/03/20					
▽ = 0		3 PLACES ±				INITIAL REVISION:					
▽ = 0		2 PLACES ±				DRWN: YHUANG11 2019/12/26					
▽ = 0		1 PLACE ±				APPR: LCHEN03 2020/03/20					
▽ = 0		0 PLACES ±				DRAFT WHERE APPLICABLE MUST REMAIN WITHIN DIMENSIONS		THIRD ANGLE PROJECTION		DRAWING SERIES	
▽ = 0						C-SIZE		73225		MATERIAL NUMBER	
										CUSTOMER	
										SHEET NUMBER	
										1 OF 2	



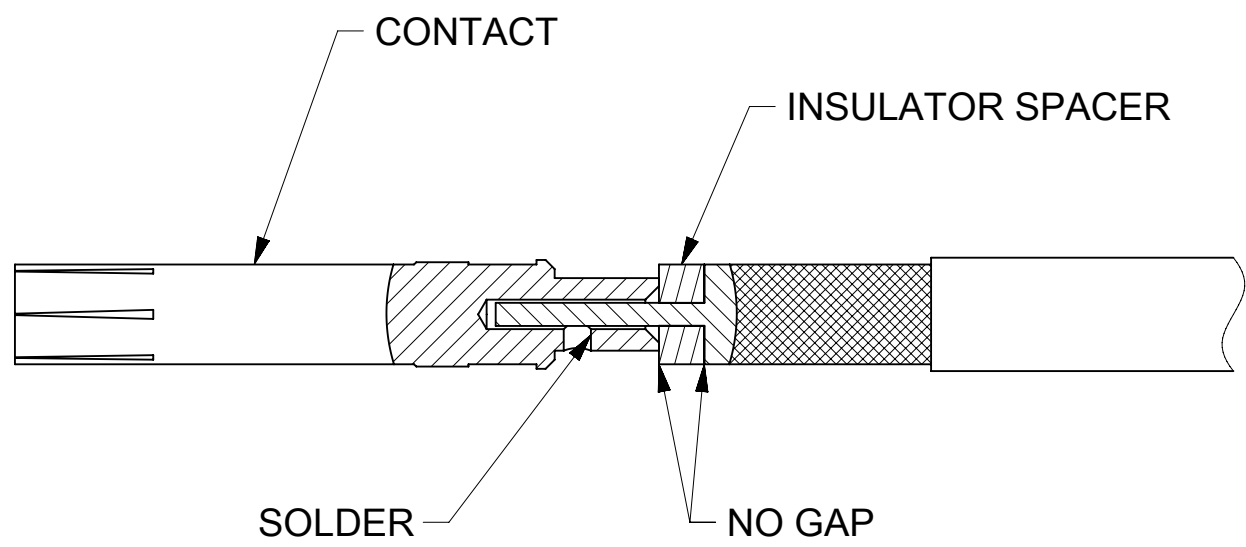
2.2-5 JACK FLANGE FOR .086/RG405 CABLE  
50 OHMS, 4 HOLES, SOLDERING, EWR#: 13540-A

PRODUCT CUSTOMER DRAWING

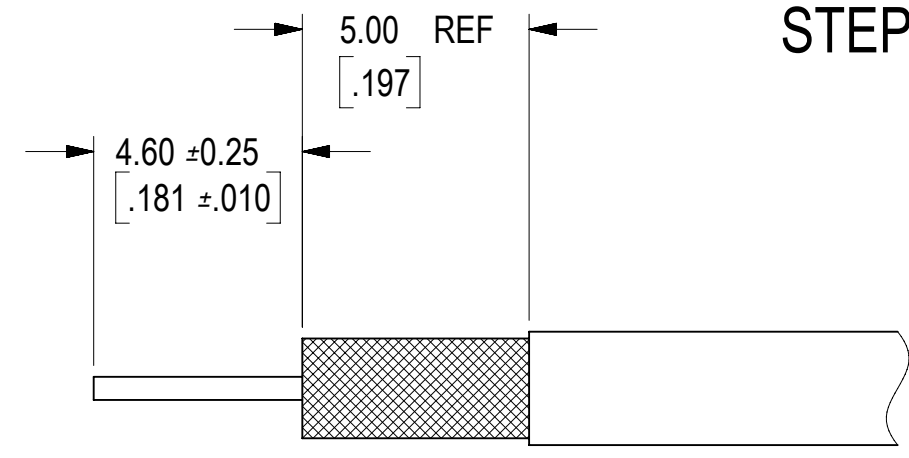
DOCUMENT NUMBER	DOC TYPE	DOC PART	REVISION
732250130	PSD	000	A

MATERIAL NUMBER	CUSTOMER	SHEET NUMBER
SEE TABLE 2	GENERAL MARKET	1 OF 2

STEP 2

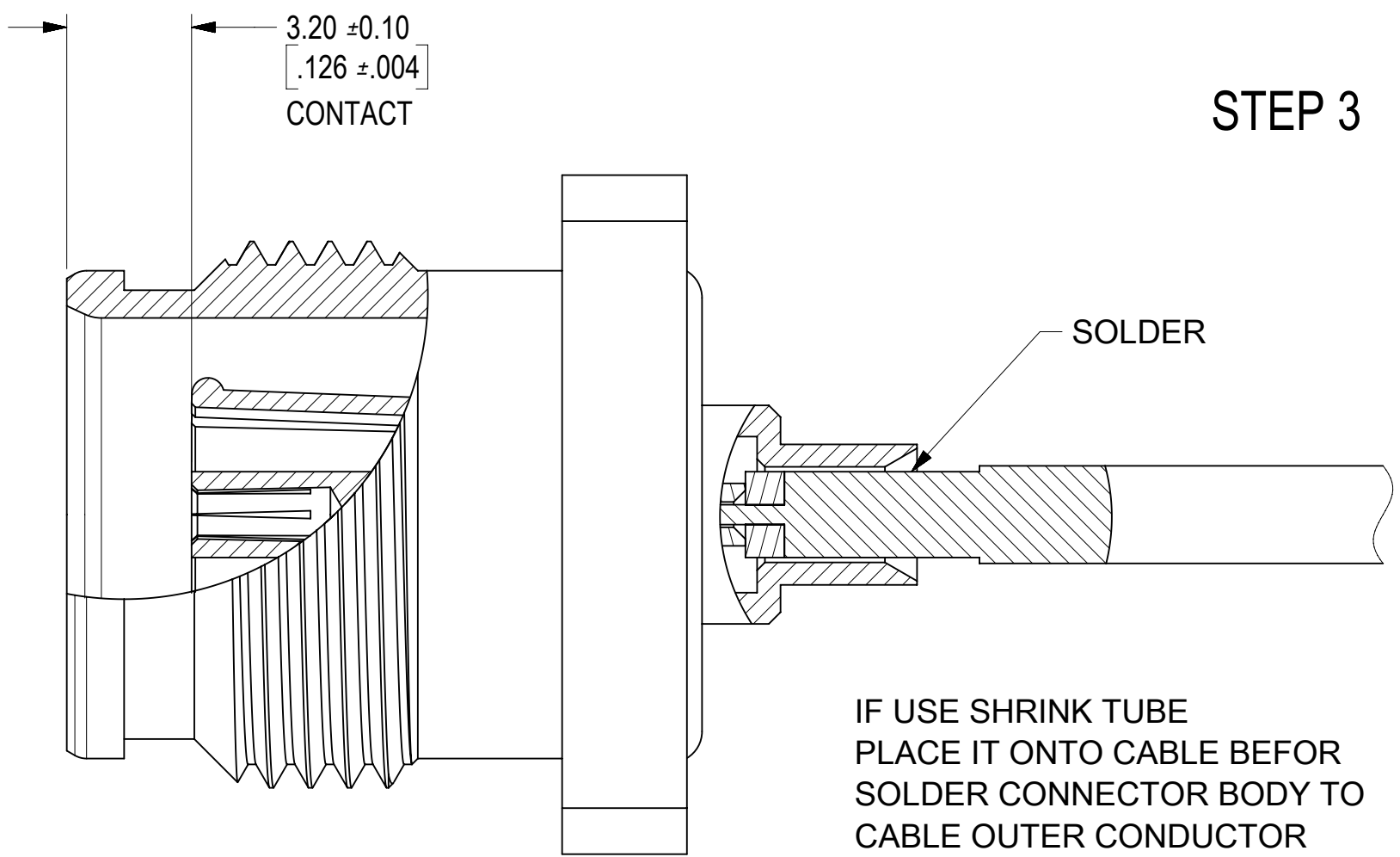



STEP 1



.086/RG405 CABLE  
RECOMMENDED STRIPPING DIMENSION

STEP 3



SYMBOLS										THIS DRAWING CONTAINS INFORMATION THAT IS PROPRIETARY TO MOLEX ELECTRONIC TECHNOLOGIES, LLC AND SHOULD NOT BE USED WITHOUT WRITTEN PERMISSION									
DIMENSION UNITS					SCALE					CURRENT REV DESC:					 2.2-5 JACK FLANGE FOR .086/RG405 CABLE 50 OHMS, 4 HOLES, SOLDERING, EWR#: 13540-A PRODUCT CUSTOMER DRAWING				
MM/INCH					6:1					EC NO: 634231									
GENERAL TOLERANCES (UNLESS SPECIFIED)					ANGULAR TOL ± 2.0°					DRWN: YHUANG11 2019/12/26					DOCUMENT NUMBER				
4 PLACES ±					3 PLACES ±					CHK'D: LCHEN03 2020/03/20					DOC TYPE				
2 PLACES ±					1 PLACE ±					APPR: LCHEN03 2020/03/20					DOC PART				
0 PLACES ±					DRAFT WHERE APPLICABLE MUST REMAIN WITHIN DIMENSIONS					INITIAL REVISION:					REVISION				
THIRD ANGLE PROJECTION					DRAWING					SERIES					MATERIAL NUMBER				
C-SIZE					73225					732250130					CUSTOMER				
SEE TABLE 2					GENERAL MARKET					SHEET NUMBER					2 OF 2				