

Product Specification

NHD- 0216K1Z-FL-GBW

Character Liquid Crystal Display Module

NHD-	Newhaven Display
0216-	2 Lines x 16 Characters
K1Z-	Model
F-	Transflective
L-	Yellow/Green LED Backlight
G-	STN (+)- Gray
B-	6:00 Optimal View
W-	Wide Temperature

Table of Contents

Document Revision History.....	2
Mechanical Drawing	3
Pin Description	4
Wiring Diagram	4
Electrical Characteristics	5
Optical Characteristics:	5
Controller Information.....	5
DDRAM Address	5
Table of Commands	6
Built-in Font Table	7
Timing Characteristics.....	8
Example Initialization Program	10
Quality Information	12

Additional Resources

- **Support Forum:** <https://support.newhavendisplay.com/hc/en-us/community/topics>
- **GitHub:** <https://github.com/newhavendisplay>
- **Example Code:** <https://support.newhavendisplay.com/hc/en-us/categories/4409527834135-Example-Code/>
- **Knowledge Center:** https://www.newhavendisplay.com/knowledge_center.html
- **Quality Center:** https://www.newhavendisplay.com/quality_center.html
- **Precautions for using LCDs/LCMs:** <https://www.newhavendisplay.com/specs/precautions.pdf>
- **Warranty / Terms & Conditions:** <https://www.newhavendisplay.com/terms.html>



Document Revision History

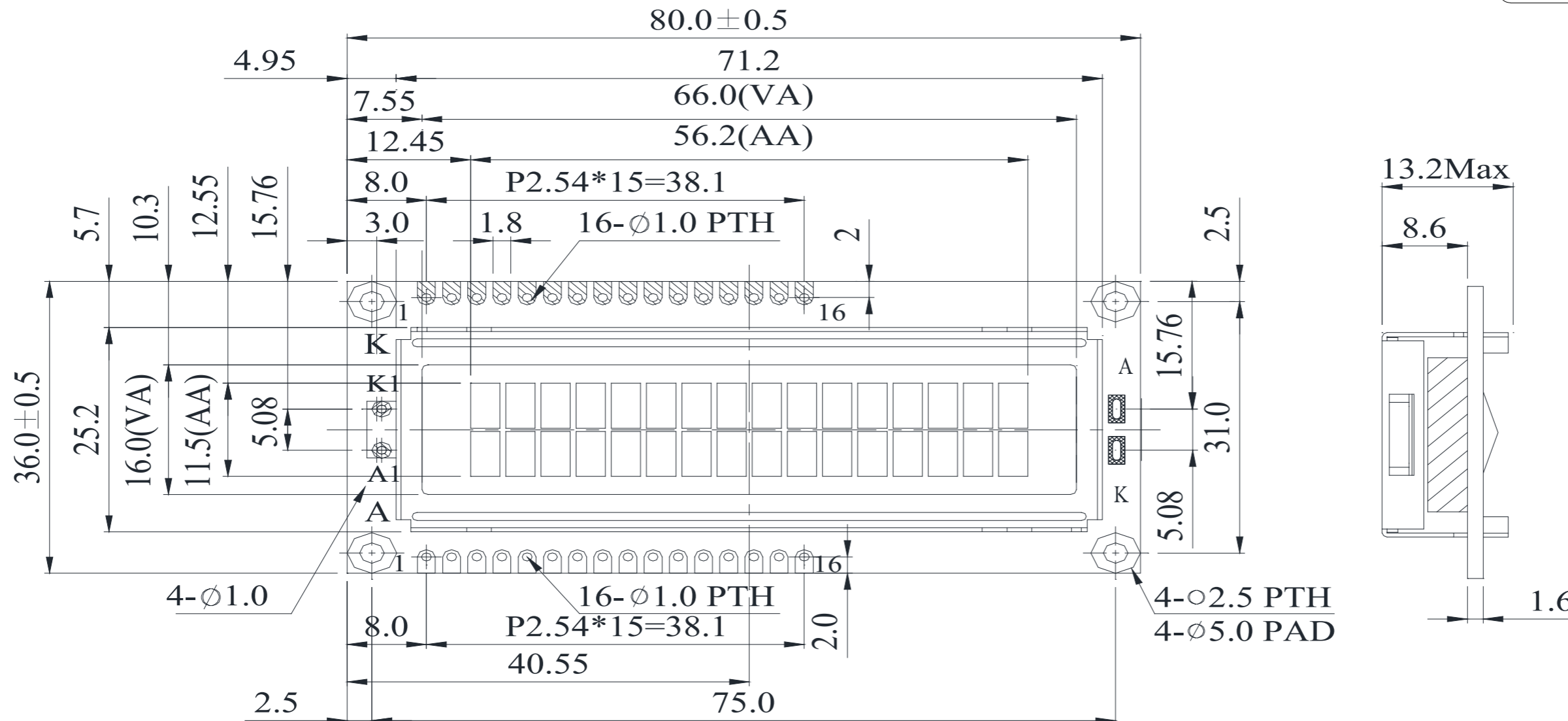
Revision	Date	Description	Changed By
0	10/05/2007	Initial Release	-
1	10/09/2009	User Guide Reformat	BE
2	10/23/2009	Block Diagram Revision	BE
3	12/08/2009	Pin description/backlight updated	BE
4	01/07/2010	Optical updated	BE
5	01/06/2011	Alternate controller information updated	AK
6	05/02/2011	Electrical characteristics updated	AK
7	09/11/2015	Mechanical drawing updated	AK
8	05/05/2016	Electrical and Optical Characteristics Updated, Added Timing Characteristics	SB
9	04/03/2019	Electrical & Backlight Characteristics Updated	SB
10	07/16/2020	Updated Contrast Voltage Range, Viewing Angles, & Quality Information	AS
11	12/14/2021	Mechanical Drawing Updated	CJ
12	04/28/2023	Document Formatting Updated	KL

Mechanical Drawing

Newhaven Display

NHD-0216K1Z-FL-GBW
Date Code

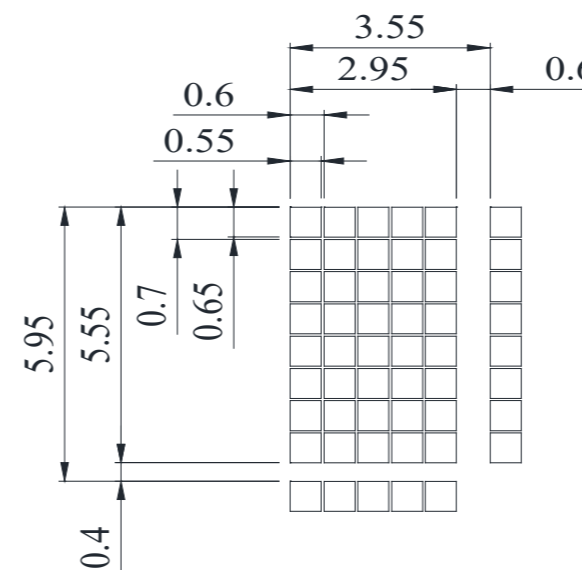
Part Label (type/format may vary)




PIN NO.	SYMBOL
1	Vss
2	Vdd
3	Vo
4	RS
5	R/W
6	E
7	DB0
8	DB1
9	DB2
10	DB3
11	DB4
12	DB5
13	DB6
14	DB7
15	A
16	K

Product Description: 2x16 Character LCD

1. Driver IC: ST7066U
2. Driving Mode: 1/16 Duty
3. Interface: 4/8-bit 6800 Parallel
4. Power Requirement: 5.0V LCD, 5.0V/130mA Backlight
5. Optical Features: STN (+), Gray, Transflective, 6:00 View, Yellow/Green Backlight
6. Recommended Pin Header: 1x16pin 2.54mm pitch



Standard Tolerance: (Unless otherwise specified) Linear: ± 0.3 mm		
	Drawing/Part Number: NHD-0216K1Z-FL-GBW	Revision: -
Unless otherwise specified: • Dimensions are in Millimeters • Third Angle Projection	Drawn By: K. Lewis	Approved By: K. Lewis
	Drawn Date: 04/28/2023	Approved Date: 04/28/2023
This drawing is solely the property of Newhaven Display International, Inc. The information it contains is not to be disclosed, reproduced or copied in whole or part without written approval from Newhaven Display.		

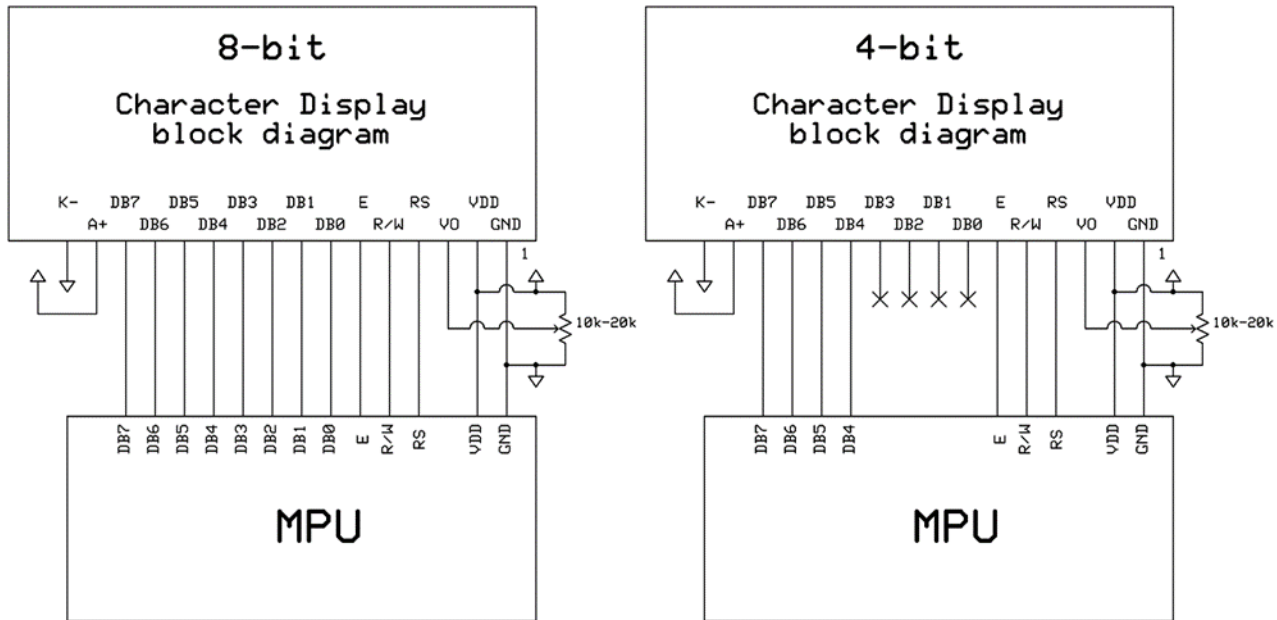
Pin Description

Pin No.	Symbol	External Connection	Function Description
1	V _{SS}	Power Supply	Ground
2	V _{DD}	Power Supply	Supply Voltage for logic (+5.0V)
3	V ₀	Adj Power Supply	Supply Voltage for contrast (approx. 1.3V)
4	RS	MPU	Register Select signal. RS=0: Command, RS=1: Data
5	R/W	MPU	Read/Write select signal, R/W=1: Read R/W=0: Write
6	E	MPU	Operation Enable signal. Falling edge triggered.
7-10	DB0 – DB3	MPU	Four low order bi-directional three-state data bus lines. These four are not used during 4-bit operation.
11-14	DB4 – DB7	MPU	Four high order bi-directional three-state data bus lines.
15	LED+	Power Supply	Backlight Anode (+5.0V via on-board resistor)
16	LED-	Power Supply	Backlight Cathode (Ground)

Recommended LCD connector: 2.54mm pitch pins

Backlight connector: --- **Mates with:** ---

Wiring Diagram



Electrical Characteristics

Item	Symbol	Condition	Min.	Typ.	Max.	Unit
Operating Temperature Range	T _{OP}	Absolute Max	-20	-	+70	°C
Storage Temperature Range	T _{ST}	Absolute Max	-30	-	+80	°C
Supply Voltage	V _{DD}	-	4.5	5.0	5.5	V
Supply Current	I _{DD}	V _{DD} = 5.0V	0.5	1.0	2.0	mA
Supply for LCD (contrast)	V _{DD-V0}	T _{OP} = 25°C	3.6	3.7	3.8	V
"H" Level input	V _{IH}	-	0.7 * V _{DD}	-	V _{DD}	V
"L" Level input	V _{IL}	-	V _{SS}	-	0.6	V
"H" Level output	V _{OH}	-	3.9	-	V _{DD}	V
"L" Level output	V _{OL}	-	V _{SS}	-	0.4	V
Backlight Supply Voltage	V _{LED}	-	4.9	5.0	5.1	V
Backlight Supply Current	I _{LED}	V _{LED} = 5.0V	65	130	156	mA

Optical Characteristics:

Item		Symbol	Condition	Min.	Typ.	Max.	Unit
Optimal Viewing Angles	Top	φY+	Cr ≥ 2	-	20	-	°
	Bottom	φY-		-	40	-	°
	Left	θX-		-	30	-	°
	Right	θX+		-	30	-	°
Contrast Ratio		Cr	-	-	3	-	-
Response Time	Rise	T _R	-	-	150	200	ms
	Fall	T _F	-	-	150	200	ms

Controller Information

Built-in ST7066U Controller: <https://support.newhavendisplay.com/hc/en-us/articles/4414848155159-ST7066U>

DDRAM Address

1	2	3	4	5	6	7	8	9	10	11	12	13	14	15	16
00	01	02	03	04	05	06	07	08	09	0A	0B	0C	0D	0E	0F
40	41	42	43	44	45	46	47	48	49	4A	4B	4C	4D	4E	4F



Table of Commands

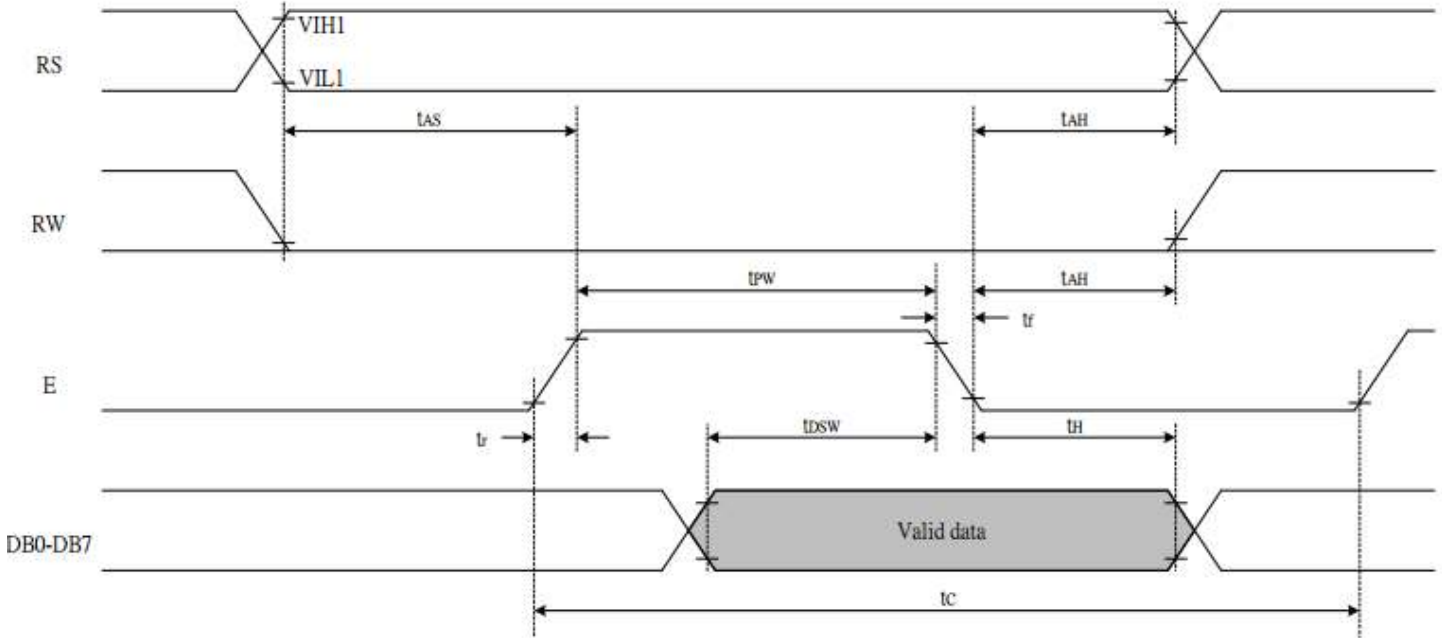
Instruction	Instruction code										Description	Execution time (fosc= 270 KHZ)	
	RS	R/W	DB7	DB6	DB5	DB4	DB3	DB2	DB1	DB0			
Clear Display	0	0	0	0	0	0	0	0	0	0	1	Write "20H" to DDRAM and set DDRAM address to "00H" from AC	1.52ms
Return Home	0	0	0	0	0	0	0	0	0	1	-	Set DDRAM Address to "00H" from AC and return cursor to its original position if shifted. The contents of DDRAM are not changed.	1.52ms
Entry mode Set	0	0	0	0	0	0	0	0	1	I/D	SH	Sets cursor move direction and specifies display shift. These parameters are performed during data write and read.	37μs
Display ON/OFF control	0	0	0	0	0	0	0	1	D	C	B	D=1: Entire display on C=1: Cursor on B=1: Blinking cursor on	37μs
Cursor or Display shift	0	0	0	0	0	0	1	S/C	R/L	-	-	Sets cursor moving and display shift control bit, and the direction without changing DDRAM data.	37μs
Function set	0	0	0	0	0	1	DL	N	F	-	-	DL: Interface data is 8/4 bits N: Number of lines is 2/1 F: Font size is 5x11/5x8	37μs
Set CGRAM Address	0	0	0	1	AC5	AC4	AC3	AC2	AC1	AC0		Set CGRAM address in address counter	37μs
Set DDRAM Address	0	0	1	AC6	AC5	AC4	AC3	AC2	AC1	AC0		Set DDRAM address in address counter.	37μs
Read busy Flag and Address	0	1	BF	AC6	AC5	AC4	AC3	AC2	AC1	AC0		Whether during internal operation or not can be known by reading BF. The contents of address counter can also be read.	0s
Write data To Address	1	0	D7	D6	D5	D4	D3	D2	D1	D0		Write data into internal RAM (DDRAM/CGRAM).	37μs
Read data From RAM	1	1	D7	D6	D5	D4	D3	D2	D1	D0		Read data from internal RAM (DDRAM/CGRAM).	37μs

Built-in Font Table

b7-b4 b3-b0	0000	0001	0010	0011	0100	0101	0110	0111	1000	1001	1010	1011	1100	1101	1110	1111
0000	CG RAM (1)			0	1	A	P	^	P			-	9	E	Q	P
0001	(2)		!	1	A	Q	a	q			=	7	7	G	â	q
0010	(3)		"	2	B	R	b	r			"	4	9	×	P	Q
0011	(4)		#	3	C	S	c	s			!	0	T	E	E	∞
0100	(5)		\$	4	D	T	d	t			√	I	t	P	P	Q
0101	(6)		%	5	E	U	e	u			*	7	7	1	E	Q
0110	(7)		&	6	F	V	f	v			9	0	=	Q	P	Z
0111	(8)		'	7	G	W	g	w			7	*	×	7	g	W
1000	(1)		(8	H	X	h	x			4	0	*	U	J	×
1001	(2))	9	I	Y	i	y			0	7	!	U	Y	U
1010	(3)		*	:	J	Z	j	z			=	Q	Q	U	J	7
1011	(4)		+	;	K	L	k	l			*	7	E	Q	*	7
1100	(5)		,	<	L	∞	l	l			P	Q	7	7	Q	W
1101	(6)		-	=	M	J	m	j			∞	×	∞	U	U	∞
1110	(7)		.	>	N	^	n	∞			∞	E	Q	∞	n	
1111	(8)		/	?	O	_	o	*			U	U	7	∞	Q	

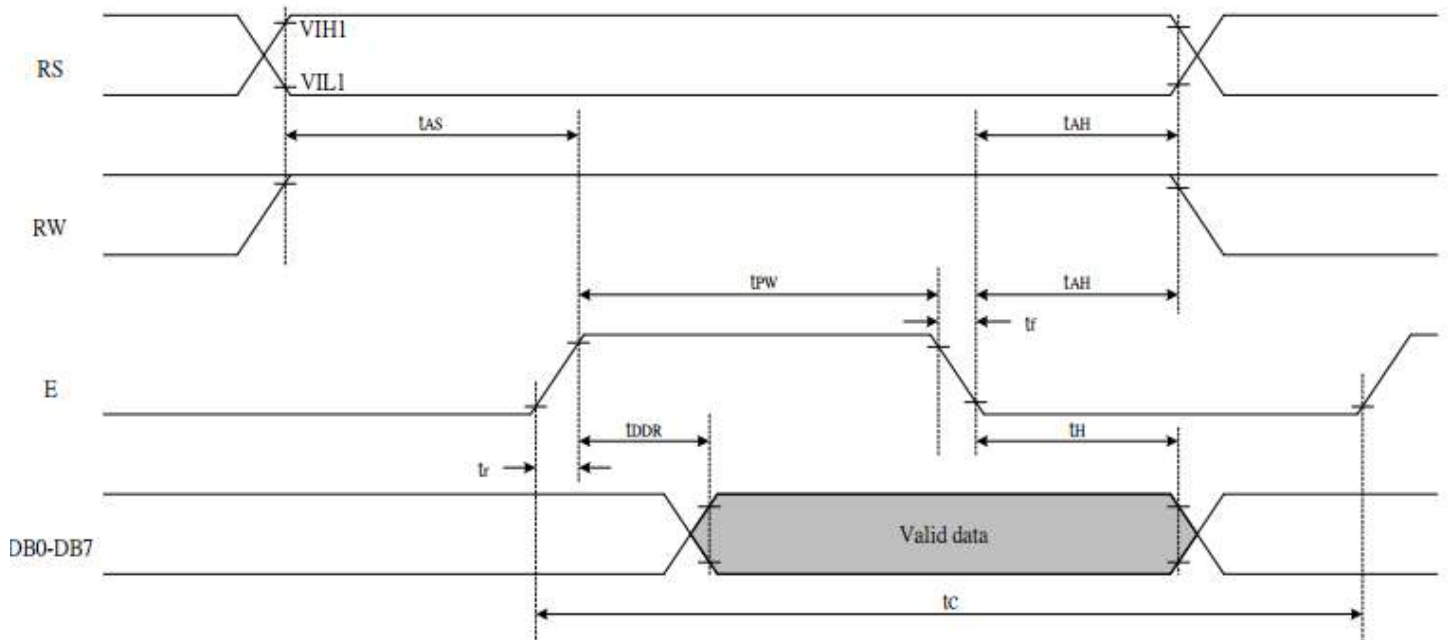
Timing Characteristics

Writing data from MPU to ST7066U



Write Mode (Writing data from MPU to ST7066U)						
T_C	Enable Cycle Time	Pin E	1200	-	-	ns
T_{PW}	Enable Pulse Width	Pin E	140	-	-	ns
T_R, T_F	Enable Rise/Fall Time	Pin E	-	-	25	ns
T_{AS}	Address Setup Time	Pins: RS, RW, E	0	-	-	ns
T_{AH}	Address Hold Time	Pins: RS, RW, E	10	-	-	ns
T_{DSW}	Data Setup Time	Pins: DB0 - DB7	40	-	-	ns
T_H	Data Hold Time	Pins: DB0 - DB7	10	-	-	ns

Reading data from ST7066U to MPU



Read Mode (Reading Data from ST7066U to MPU)						
T _C	Enable Cycle Time	Pin E	1200	-	-	ns
T _{PW}	Enable Pulse Width	Pin E	140	-	-	ns
T _R , T _F	Enable Rise/Fall Time	Pin E	-	-	25	ns
T _{AS}	Address Setup Time	Pins: RS, RW, E	0	-	-	ns
T _{AH}	Address Hold Time	Pins: RS, RW, E	10	-	-	ns
T _{DDR}	Data Setup Time	Pins: DB0 - DB7	-	-	100	ns
T _H	Data Hold Time	Pins: DB0 - DB7	10	-	-	ns

Example Initialization Program

8-bit Initialization:

```

/*****/
void command(char i)
{
    P1 = i;           //put data on output Port
    D_I =0;          //D/I=LOW : send instruction
    R_W =0;          //R/W=LOW : Write
    E = 1;
    Delay(1);        //enable pulse width >= 300ns
    E = 0;           //Clock enable: falling edge
}
/*****/
void write(char i)
{
    P1 = i;           //put data on output Port
    D_I =1;          //D/I=HIGH : send data
    R_W =0;          //R/W=LOW : Write
    E = 1;
    Delay(1);        //enable pulse width >= 300ns
    E = 0;           //Clock enable: falling edge
}
/*****/
void init()
{
    E = 0;
    Delay(100);      //Wait >40 msec after power is applied
    command(0x30);    //command 0x30 = Wake up
    Delay(30);        //must wait 5ms, busy flag not available
    command(0x30);    //command 0x30 = Wake up #2
    Delay(10);        //must wait 160us, busy flag not available
    command(0x30);    //command 0x30 = Wake up #3
    Delay(10);        //must wait 160us, busy flag not available
    command(0x38);    //Function set: 8-bit/2-line
    command(0x10);    //Set cursor
    command(0x0c);    //Display ON; Cursor ON
    command(0x06);    //Entry mode set
}
/*****/

```

4-bit Initialization:

```

/*****/
void command(char i)
{
  P1 = i;           //put data on output Port
  D_I = 0;         //D/I=LOW : send instruction
  R_W = 0;         //R/W=LOW : Write
  Nybble();        //Send lower 4 bits
  i = i<<4;        //Shift over by 4 bits
  P1 = i;           //put data on output Port
  Nybble();        //Send upper 4 bits
}
/*****/
void write(char i)
{
  P1 = i;           //put data on output Port
  D_I = 1;         //D/I=HIGH : send data
  R_W = 0;         //R/W=LOW : Write
  Nybble();        //Clock lower 4 bits
  i = i<<4;        //Shift over by 4 bits
  P1 = i;           //put data on output Port
  Nybble();        //Clock upper 4 bits
}
/*****/
void Nybble()
{
  E = 1;
  Delay(1);        //enable pulse width >= 300ns
  E = 0;          //Clock enable: falling edge
}
/*****/
void init()
{
  P1 = 0;
  P3 = 0;
  Delay(100);      //Wait >40 msec after power is applied
  P1 = 0x30;       //put 0x30 on the output port
  Delay(30);       //must wait 5ms, busy flag not available
  Nybble();        //command 0x30 = Wake up
  Delay(10);       //must wait 160us, busy flag not available
  Nybble();        //command 0x30 = Wake up #2
  Delay(10);       //must wait 160us, busy flag not available
  Nybble();        //command 0x30 = Wake up #3
  Delay(10);       //can check busy flag now instead of delay
  P1 = 0x20;       //put 0x20 on the output port
  Nybble();        //Function set: 4-bit interface
  command(0x28);   //Function set: 4-bit/2-line
  command(0x10);   //Set cursor
  command(0x0F);   //Display ON; Blinking cursor
  command(0x06);   //Entry Mode set
}
/*****/

```

Quality Information

Test Item	Content of Test	Test Condition	Note
High Temperature storage	Endurance test applying the high storage temperature for a long time.	+80°C , 200hrs	2
Low Temperature storage	Endurance test applying the low storage temperature for a long time.	-30°C , 200hrs	1,2
High Temperature Operation	Endurance test applying the electric stress (voltage & current) and the high thermal stress for a long time.	+70°C 200hrs	2
Low Temperature Operation	Endurance test applying the electric stress (voltage & current) and the low thermal stress for a long time.	-20°C , 200hrs	1,2
High Temperature / Humidity Operation	Endurance test applying the electric stress (voltage & current) and the high thermal with high humidity stress for a long time.	+60°C , 90% RH , 96hrs	1,2
Thermal Shock resistance	Endurance test applying the electric stress (voltage & current) during a cycle of low and high thermal stress.	-20°C,30min -> 25°C,5min -> 70°C,30min = 1 cycle 10 cycles	
Vibration test	Endurance test applying vibration to simulate transportation and use.	10-55Hz , 1.5mm amplitude. 60 sec in each of 3 directions X,Y,Z For 15 minutes	3
Static electricity test	Endurance test applying electric static discharge.	Air: ±800V 150pF/330Ω, 5 Times	
		Contact: ±600V 150pF/330Ω, 5 Times	

Note 1: No condensation to be observed.

Note 2: Conducted after 4 hours of storage at 25°C, 0%RH.

Note 3: Test performed on product itself, not inside a container.