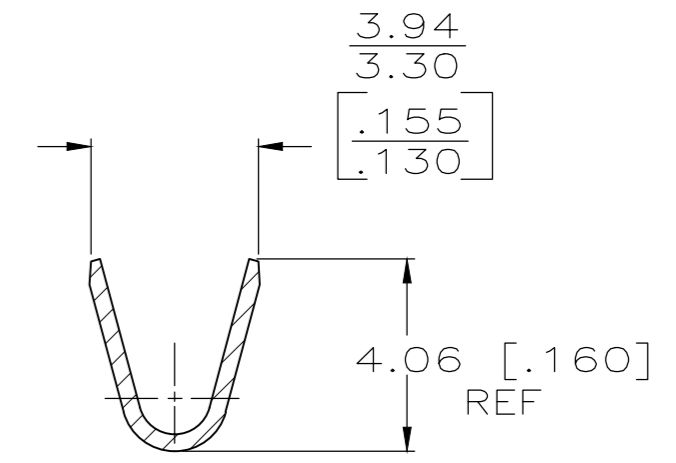
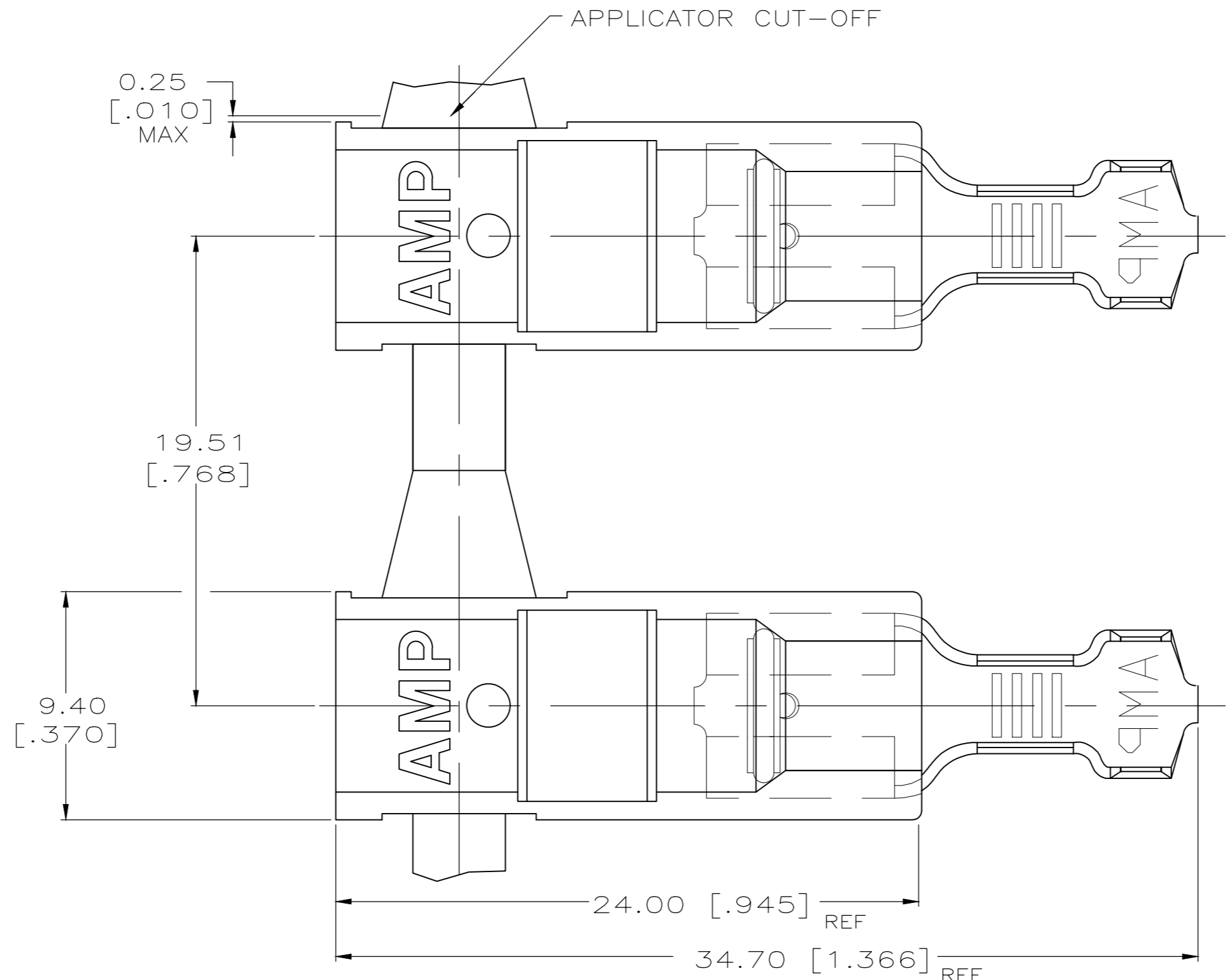
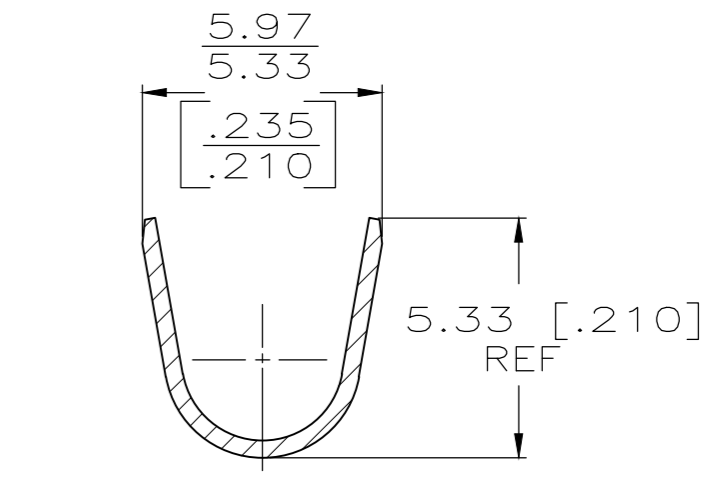
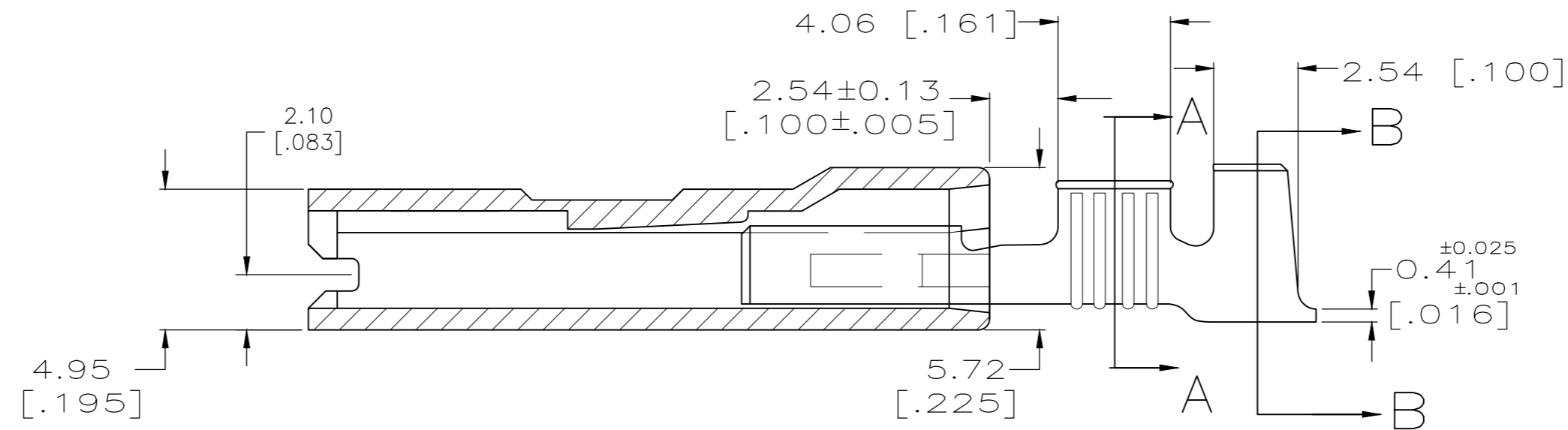


THIS DRAWING IS UNPUBLISHED. RELEASED FOR PUBLICATION
 © COPYRIGHT - TE Connectivity Ltd. ALL RIGHTS RESERVED.

REVISIONS				
P	LTR	DESCRIPTION	DATE	APVD
C1		REVISED PER ECO-18-01226	16JUL2018	RS DS



SECTION A-A



SECTION B-B

- 1 BUDGET FASTON TERMINALS, BASE P/N 63884, ARE USED IN THIS PRODUCT.
- 2 WIRE SIZE 0.8-2.0mm [18-14] AWG
- 3 INSULATION RANGE IS 2.79-4.32[.110-.170] DIA.
- 4 MATING TAB THK IS 0.813±0.025[.032±.001].
- 5 OFFERED FOR CONSIDERATION IN APPLICATIONS REQUIRING "NON-DRIP" HOUSING MATERIAL.

△ OBSOLETE PARTS

-	MATERIAL: 4M BRASS FINISH: PLAIN	66 NYLON V0 NATURAL	521848-3																																				
△ STANDARD	MATERIAL: 4M BRASS FINISH: 0.002032 [.000080] MIN TIN	VO, NYLON 66, NATURAL (WHITE)	-521848-2																																				
STANDARD	MATERIAL: 4M BRASS FINISH: PLAIN		521848-1																																				
PACKAGING	TERMINAL	HOUSING	PART NO.																																				
THIS DRAWING IS A CONTROLLED DOCUMENT.		<table border="1"> <tr> <td>DWN</td> <td>JR RUTH</td> <td>15SEP05</td> </tr> <tr> <td>CHK</td> <td>G PORTA</td> <td>15SEP05</td> </tr> <tr> <td>APVD</td> <td>G PORTA</td> <td>15SEP05</td> </tr> </table>		DWN	JR RUTH	15SEP05	CHK	G PORTA	15SEP05	APVD	G PORTA	15SEP05																											
DWN	JR RUTH	15SEP05																																					
CHK	G PORTA	15SEP05																																					
APVD	G PORTA	15SEP05																																					
<table border="1"> <tr> <th>DIMENSIONS:</th> <th>TOLERANCES UNLESS OTHERWISE SPECIFIED:</th> </tr> <tr> <td>mm [INCHES]</td> <td></td> </tr> <tr> <td>0 PLC</td> <td>± -</td> </tr> <tr> <td>1 PLC</td> <td>± -</td> </tr> <tr> <td>2 PLC</td> <td>± -</td> </tr> <tr> <td>3 PLC</td> <td>± 0.25 [.010]</td> </tr> <tr> <td>4 PLC</td> <td>± -</td> </tr> <tr> <td>ANGLES</td> <td>± -</td> </tr> </table>		DIMENSIONS:	TOLERANCES UNLESS OTHERWISE SPECIFIED:	mm [INCHES]		0 PLC	± -	1 PLC	± -	2 PLC	± -	3 PLC	± 0.25 [.010]	4 PLC	± -	ANGLES	± -	<table border="1"> <tr> <td>NAME</td> <td colspan="3">ASSEMBLY, ULTRA-POD, RECEPTACLE, 6.35 [.250] SERIES</td> </tr> <tr> <td>PRODUCT SPEC</td> <td colspan="3">108-1285</td> </tr> <tr> <td>APPLICATION SPEC</td> <td colspan="3">114-2124</td> </tr> <tr> <td>WEIGHT</td> <td>0</td> <td>SIZE</td> <td>A2</td> </tr> <tr> <td>CUSTOMER DRAWING</td> <td>SCALE 5:1</td> <td>SHEET 1 of 1</td> <td>REV C1</td> </tr> </table>		NAME	ASSEMBLY, ULTRA-POD, RECEPTACLE, 6.35 [.250] SERIES			PRODUCT SPEC	108-1285			APPLICATION SPEC	114-2124			WEIGHT	0	SIZE	A2	CUSTOMER DRAWING	SCALE 5:1	SHEET 1 of 1	REV C1
DIMENSIONS:	TOLERANCES UNLESS OTHERWISE SPECIFIED:																																						
mm [INCHES]																																							
0 PLC	± -																																						
1 PLC	± -																																						
2 PLC	± -																																						
3 PLC	± 0.25 [.010]																																						
4 PLC	± -																																						
ANGLES	± -																																						
NAME	ASSEMBLY, ULTRA-POD, RECEPTACLE, 6.35 [.250] SERIES																																						
PRODUCT SPEC	108-1285																																						
APPLICATION SPEC	114-2124																																						
WEIGHT	0	SIZE	A2																																				
CUSTOMER DRAWING	SCALE 5:1	SHEET 1 of 1	REV C1																																				
MATERIAL	SEE TABLE	FINISH	SEE TABLE																																				
MATERIAL: 4M BRASS FINISH: PLAIN		MATERIAL: 66 NYLON V0 NATURAL																																					