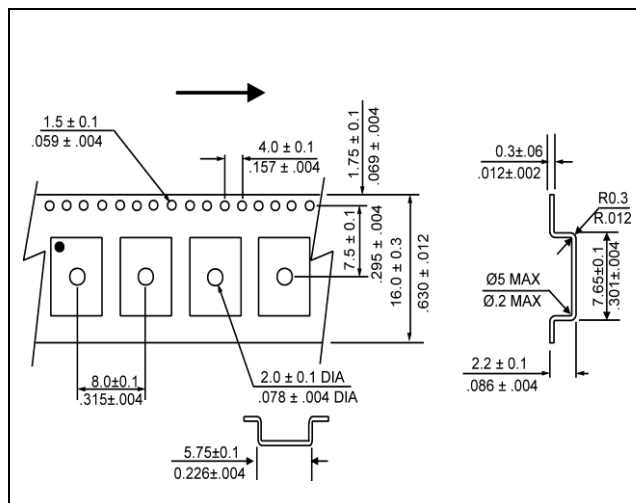
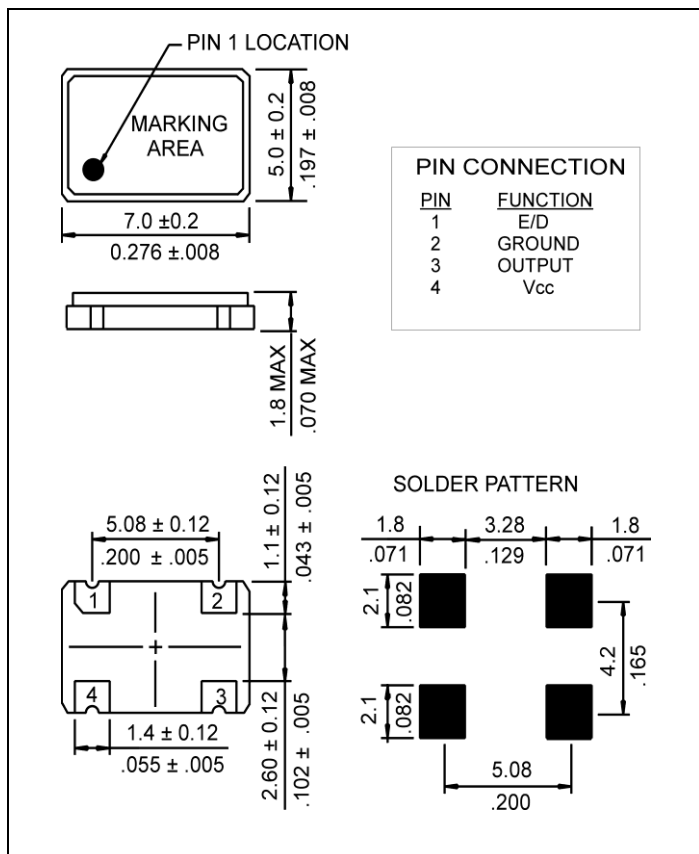


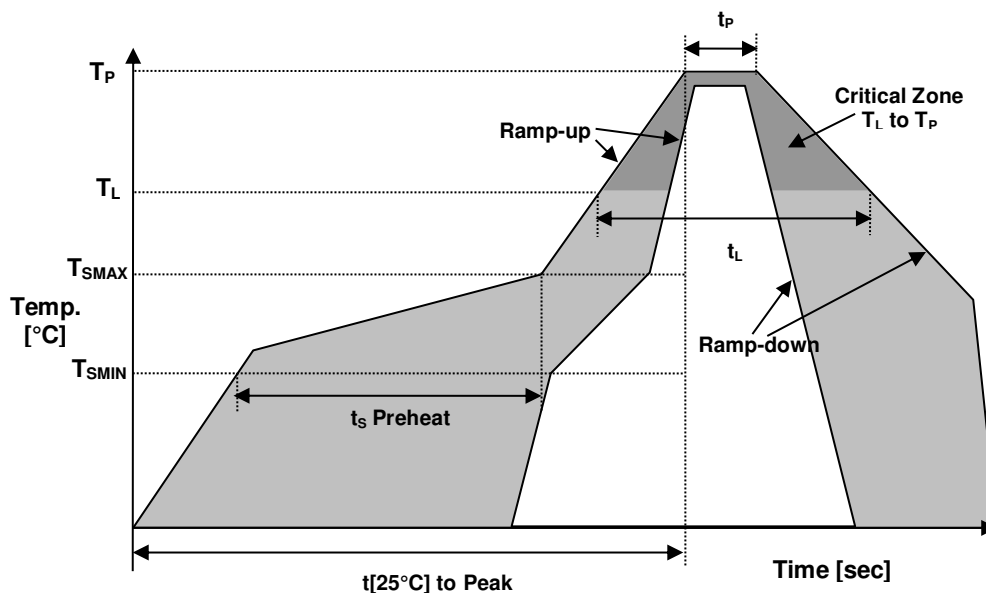
ELECTRICAL SPECIFICATION

| PARAMETER | SYMBOL | CONDITIONS | VALUE | UNIT |
|------------------------------|------------------------------------|--|--------------------|------------|
| Frequency, nom | fo | | 10.000 | MHz |
| Supply voltage, nom | Vcc | Vcc ±10% | 5 | V |
| Supply current, max | Is | Ta=+25°C; Load=50 pF CMOS or 10 TTL MAX | 45 | mA |
| Output Voltage Levels | V _{OH} V _{OL} | Logic 1 Logic 0 | 4.5 min 0.5 max | VDC VDC |
| Duty cycle | DC | @ 50% of signal | 45...55 | % |
| Rise time / Fall time, max | tr / tf | 20%~80% Vout, 80%~20% Vout, | 5 | ns |
| Jitter, RMS, max | J | 1σ, 12KHz < F _J < 20MHz | 1 | ps |
| Overall freq. stability, max | Δf/fc | Inclusive of 25° Tolerance, Operating Temperature Range, Voltage & Load Variations, Aging, Shock and Vibration | ±100 | ppm |
| Output Enabled / Disabled | En Dis | Pin 1: High Voltage or No Connect, Pin 3 Enabled Pin 1: Ground, Pin 3 Disabled | 2.2 min 0.8 max | VDC VDC |
| Operating temperature range | Ta | | -40...+85 | °C |
| Storage temperature range | T(stg) | | -55...+125 | °C |

MECHANICAL SPECIFICATION



● REFLOW PROFILE



| Reflow profile | | |
|--|-------------------------------|--------------|
| Temperature Min Preheat | T_{SMIN} | 150°C |
| Temperature Max Preheat | T_{SMAX} | 200°C |
| Time (T_{SMIN} to T_{SMAX}) | t_s | 60-180 sec. |
| Temperature | T_L | 217°C |
| Peak Temperature | T_P | 260°C |
| Ramp-up rate | R_{UP} | 3°C/sec max. |
| Ramp-down rate | R_{DOWN} | 6°C/sec max. |
| Time within 5°C of Peak Temperature | t_p | 10 sec. |
| Time $t[25^\circ\text{C}]$ to Peak Temperature | $t[25^\circ\text{C}]$ to Peak | 480 sec. |
| Time | t_L | 60-150 sec. |

● ENVIRONMENTAL

| PARAMETER | VALUE |
|----------------------------|-----------|
| MOISTURE SENSITIVITY LEVEL | 1 |
| RoHS | Compliant |
| REACH-SVHC | Compliant |
| HALOGEN-FREE | Compliant |
| TERMINATION FINISH | Au |





A RAMI TECHNOLOGY Company

MARKING

Rx10.000
•9CEyw

x - 1 or 2 digits as Internal Production ID code
y - Year code
w - Week code

Table with 2 columns: Year, Code. Rows for years 2015 to 2025.

Table with 6 columns: Week, Code, Week, Code, Week, Code. Rows for weeks 1 to 18.

APPROVAL

Table with 2 columns: Field, Value. Fields: DRAWN BY, APPROVED BY, REVISION.

Raltron Electronics / RAMI Technology USA, LLC, including its affiliates, employees, agents and other persons acting on its behalf (collectively Raltron/RAMI Tech), disclaim any and all liability for any errors or inaccuracies contained in this data sheet.

Copyright © 2016, Raltron Electronics / RAMI Technology USA, LLC. All rights reserved. No part of this document may be reproduced in any form without the prior written permission of Raltron Electronics / RAMI Technology USA, LLC.