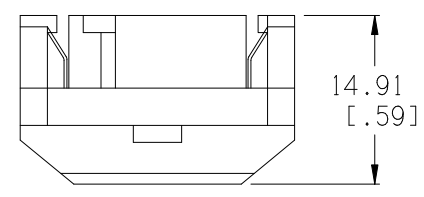
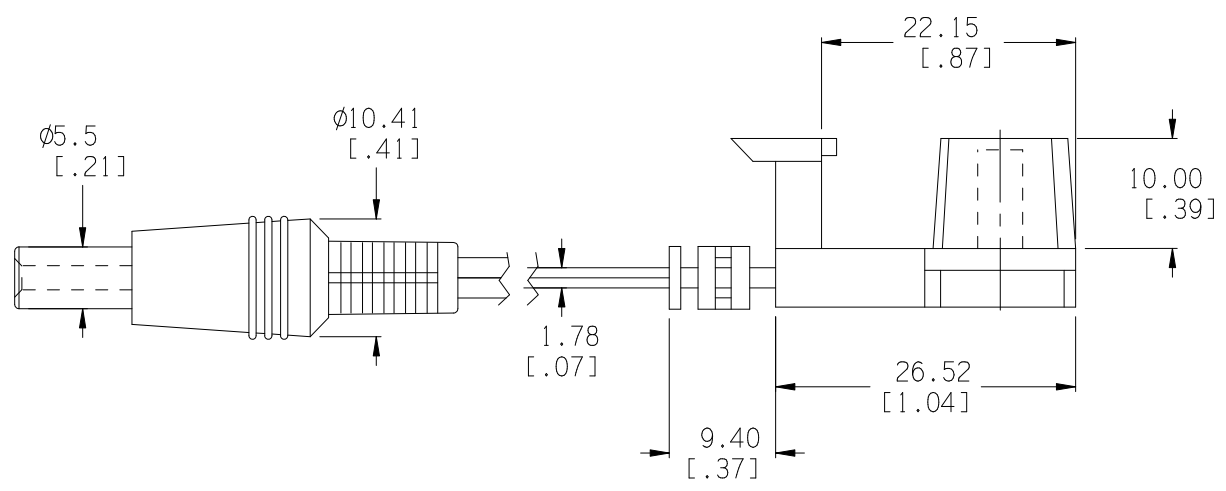



Date	SYM	REVISION RECORD	AUTH	DR.	CK.
07/18/14	A	UPDATED TO ROHS 2 COMPLIANT UPDATED NOTES	T.B.	B.S.	



HOUSING: BLACK ABS  
 FLAMMABILITY RATING UL94-HB, UL FILE #E56070  
 CORD: UL2468, 300V, 80°C, 22-24AWG  
 PASSES UL FLAME TEST VW-1  
 FILE NO. E11278 OR EQUAL  
 CENTER IS POSITIVE CONTACT  
 DC MOLDED PLUG: 2.5mm X 5.5mm  
 ROHS 2 COMPLIANT

Tolerance (Inches)	 Memory Protection Devices, Inc. 200 Broad Hollow Road, Farmingdale, New York 11735	
Decimal		Scale
±.5 (.020)		Drawn By B.S.
Fractional	Title LEAD ACID BATTERY CLIP TO DC MOLDED PLUG WITH 2.5 X 5.5 DC PLUG	
± .8 (.030)	Date	Drawing Number
Angular	07/18/14	ZA5350-2.5
± 3°		