

DS36950 Quad Differential Bus Transceiver

 Check for Samples: [DS36950](#)

FEATURES

- Pinout for IPI Interface
- Compact 20-pin PLCC Package
- Meets EIA-485 Standard for Multipoint Bus Transmission
- Greater than 60 mA Source/Sink
- Thermal Shutdown Protection

DESCRIPTION

The DS36950 is a low power, space-saving quad EIA-485 differential bus transceiver especially suited for high speed, parallel, multipoint, computer I/O bus applications. A compact 20-pin surface mount PLCC package provides high transceiver integration and a very small PC board footprint.

Timing uncertainty across an interface using multiple devices, a typical problem in a parallel interface, is specified—minimum and maximum propagation delay times are guaranteed.

Six devices can implement a complete IPI master or slave interface. Three transceivers in a package are pinned out for connection to a parallel databus. The fourth transceiver, with the flexibility provided by its individual enables, can serve as a control bus transceiver.

Pinout and Logic Diagram

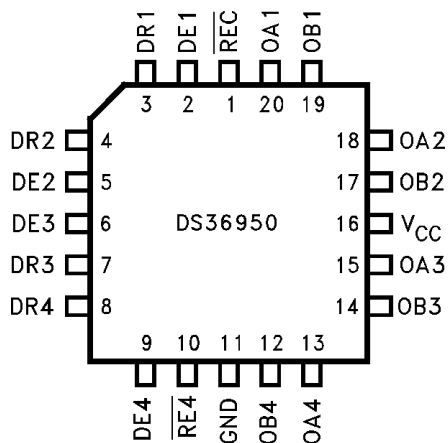


Figure 1. Top View (Package Number FN0020A)

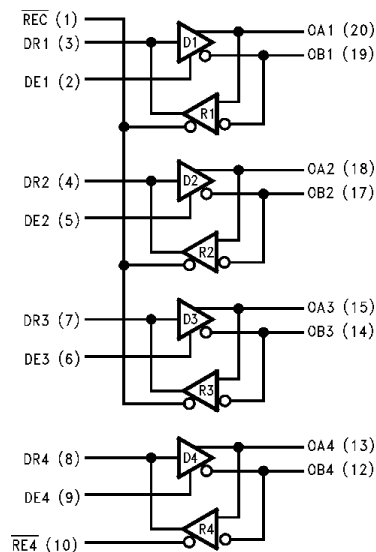


Figure 2. Block Diagram



These devices have limited built-in ESD protection. The leads should be shorted together or the device placed in conductive foam during storage or handling to prevent electrostatic damage to the MOS gates.



Please be aware that an important notice concerning availability, standard warranty, and use in critical applications of Texas Instruments semiconductor products and disclaimers thereto appears at the end of this data sheet.

All trademarks are the property of their respective owners.

Absolute Maximum Ratings ⁽¹⁾⁽²⁾

Supply Voltage	7V
Control Input Voltage	$V_{CC} + 0.5V$
Driver Input Voltage	$V_{CC} + 0.5V$
Driver Output Voltage/Receiver	
Input Voltage	-10V to +15V
Receiver Output Voltage	5.5V
Continuous Power Dissipation @ 25°C FN0020A Package	1.73W
Derate FN0020A Package 13.9 mW/°C above 25°C	
Storage Temp. Range	-65°C to +150°C
Lead Temp. (Soldering 4 Sec.)	260°C

- (1) “Absolute Maximum Ratings” are those values beyond which the safety of the device cannot be guaranteed. They are not meant to imply that the devices should be operated at these limits. The tables of “Electrical Characteristics” specify conditions for device operation.
- (2) If Military/Aerospace specified devices are required, please contact the TI Sales Office/Distributors for availability and specifications.

Recommended Operating Conditions ⁽¹⁾

Supply Voltage, V_{CC}	4.75V to 5.25V
Bus Voltage	-7V to +12V
Operating Free Air Temperature (T_A)	0°C to +70°C

- (1) All typicals are given for $V_{CC} = 5.0V$ and $T_A = 25°C$.

Electrical Characteristics ⁽¹⁾

Over Supply Voltage and Operating Temperature ranges, unless otherwise specified

Parameter		Test Conditions	Min	Typ	Max	Units
Driver Characteristics						
V_{ODL}	Differential Driver Output	$I_L = 60\text{ mA}$	1.5	1.9		V
	Voltage (Full Load)	$V_{CM} = 0V$				
V_{OD}	Differential Driver Output	$R_L = 100\Omega$ (EIA-422)	2.0	3.5		V
	Voltage (Termination Load)	$R_L = 54\Omega$ (EIA-485)	1.5	3.2		V
ΔV_{ODI}	Change in Magnitude of Driver	$R_L = 54\Omega$ or 100Ω				
	Differential Output Voltage for Complementary Output States	⁽²⁾ (Figure 3) (EIA-485)			0.2	V
V_{OC}	Driver Common Mode Output	$R_L = 54\Omega$			3.0	V
	Voltage ⁽³⁾	(Figure 3) (EIA-485)				
ΔV_{OCI}	Change in Magnitude of Common	⁽²⁾ (Figure 3)			0.2	V
	Mode Output Voltage	(EIA-485)				
V_{OH}	Output Voltage HIGH	$I_{OH} = -55\text{ mA}$	2.7	3.2		V
V_{OL}	Output Voltage LOW	$I_{OL} = 55\text{ mA}$		1.4	1.7	V
V_{IH}	Input Voltage HIGH		2.0			V
V_{IL}	Input Voltage LOW				0.8	V
V_{CL}	Input Clamp Voltage	$I = -18\text{ mA}$			-1.5	V
I_{IH}	Input High Current	$V_I = 2.4V$ ⁽⁴⁾			20	μA
I_{IL}	Input Low Current	$V_I = 0.4V$ ⁽⁴⁾			-20	μA

- (1) Current into device pins is define as positive. Current out of device pins is defined as negative. All voltages are referenced to ground unless otherwise specified.
- (2) ΔV_{ODI} and ΔV_{OCI} are changes in magnitude of V_{OD} and V_{OC} , respectively, that occur when the input changes state.
- (3) In EIA Standards EIA-422 and EIA-485, V_{OC} , which is the average of the two output voltages with respect to ground, is called output offset voltage, V_{OS} .
- (4) I_{IH} and I_{IL} includes driver input current and receiver TRI-STATE leakage current.

Electrical Characteristics ⁽¹⁾ (continued)

Over Supply Voltage and Operating Temperature ranges, unless otherwise specified

Parameter		Test Conditions		Min	Typ	Max	Units
I _{OSC}	Driver Short-Circuit Output Current ⁽⁵⁾	V _O = -7V	(EIA-485)		-130	-250	mA
		V _O = 0V	(EIA-422)		-90	-150	mA
		V _O = +12V	(EIA-485)		130	250	mA
Receiver Characteristics							
I _{OSR}	Short Circuit Output Current	V _O = 0V ⁽⁵⁾		-15	-28	-75	mA
I _{OZ}	TRI-STATE Output Current	V _O = 0.4V to 2.4V				20	μA
V _{OH}	Output Voltage High	V _{ID} = 0.20V, I _{OH} = -0.4 mA		2.4	3.0		V
V _{OL}	Output Voltage Low	V _{ID} = -0.20V, I _{OL} = 4 mA			0.35	0.5	V
V _{TH}	Differential Input High Threshold Voltage	V _O = V _{OH} , I _O = -0.4 mA (EIA-422/485)			0.03	0.20	V
V _{TL}	Differential Input Low Threshold Voltage ⁽⁶⁾	V _O = V _{OL} , I _O = 4.0 mA (EIA-422/485)		-0.20	-0.03		V
V _{HST}	Hysteresis ⁽⁷⁾	V _{CM} = 0V		35	60		mV
Driver and Receiver Characteristics							
V _{IH}	Enable Input Voltage High			2.0			V
V _{IL}	Enable Input Voltage Low					0.8	V
V _{CL}	Enable Input Clamp Voltage	I = -18 mA				-1.5	V
I _{IN}	Line Input Current ⁽⁸⁾	Other Input = 0V	V _I = +12V		0.5	1	mA
			V _I = -7V		-0.45	-0.8	mA
I _{IH}	Enable Input Current High	V _{OH} = 2.4V	$\overline{\text{RE4}}$ or DE			20	μA
			$\overline{\text{REC}}$			60	μA
I _{IL}	Enable Input Current Low	V _{OL} = 0.4V	$\overline{\text{RE4}}$ or DE			-20	μA
			$\overline{\text{REC}}$			-60	μA
I _{CC}	Supply Current ⁽⁹⁾	No Load, Outputs Enabled			75	90	mA
I _{CCZ}	Supply Current ⁽⁹⁾	No Load, Outputs Disabled			50	70	mA

(5) Short one output at a time.

(6) Threshold parameter limits specified as an algebraic value rather than by magnitude.

(7) Hysteresis defined as V_{HST} = V_{TH} - V_{TL}.

(8) I_{IN} includes the receiver input current and driver TRI-STATE leakage current.

(9) Total package supply current.

Switching Characteristics

Over Supply Voltage and Operating Temperature ranges, unless otherwise specified

Symbol	Test Conditions		Min	Typ	Max	Units
Driver Single-Ended Characteristics						
t _{PZH}	R _L = 110Ω (Figure 6)			35	40	ns
t _{PZL}	R _L = 110Ω (Figure 7)			25	40	ns
t _{PHZ}	R _L = 110Ω (Figure 6)			15	25	ns
t _{PLZ}	R _L = 110Ω (Figure 7)			35	40	ns
Driver Differential Characteristics						
t _R , t _F	Rise & Fall Time	R _L = 54Ω		13	16	ns
t _{PLHD}	Differential Propagation	C _L = 50 pF	9	15	19	ns
t _{PHLD}	Delays ⁽¹⁾	C _D = 15 pF	9	15	19	ns
t _{SKD}	t _{PLHD} - t _{PHLD} Differential Skew	(Figure 5)		3	6	ns

(1) Differential propagation delays are calculated from single-ended propagation delays measured from driver input to the 20% and 80% levels on the driver outputs (See Figure 5).

Switching Characteristics (continued)

Over Supply Voltage and Operating Temperature ranges, unless otherwise specified

Symbol	Test Conditions	Min	Typ	Max	Units
Receiver Characteristics					
t_{PLHD}	Differential Propagation Delays	9	14	19	ns
t_{PHLD}	$C_L = 15 \text{ pF}$, $V_{CM} = 1.5V$ (Figure 8)	9	14	19	ns
t_{SKD}	$ t_{PLHD} - t_{PHLD} $ Differential Receiver Skew		1	3	ns
t_{ZH}	Output Enable Time to High Level	$C_L = 15 \text{ pF}$ Figure 9	15	22	ns
t_{ZL}	Output Enable Time to Low Level		20	30	ns
t_{HZ}	Output Disable Time from High Level		10	17	ns
t_{LZ}	Output Disable Time from Low Level		17	25	ns

Parameter Measurement Information

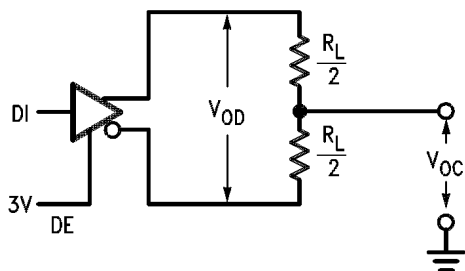


Figure 3. Driver V_{OD} and V_{OC}

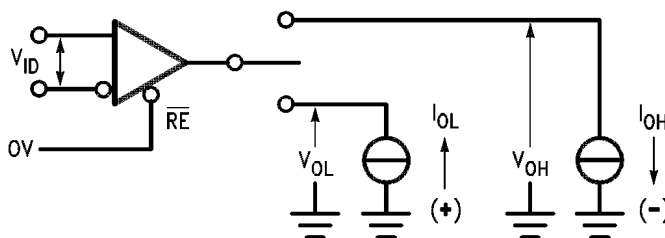
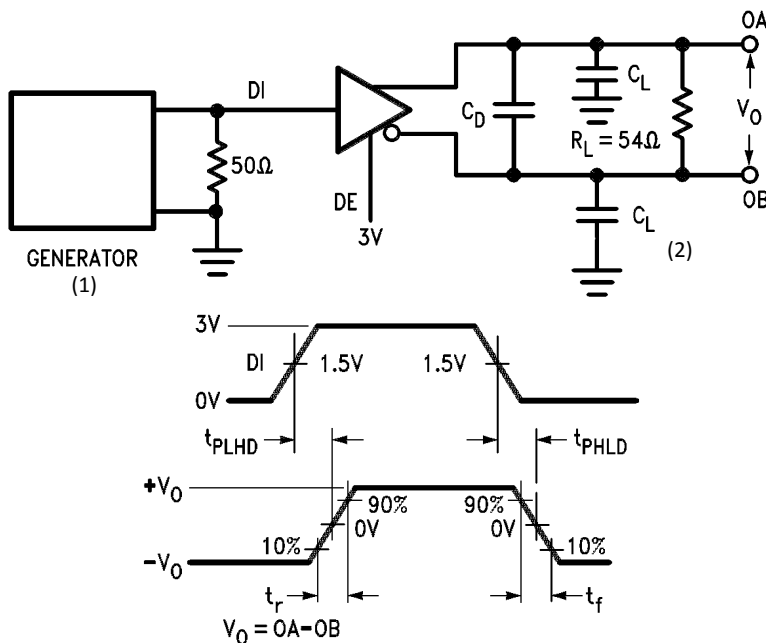


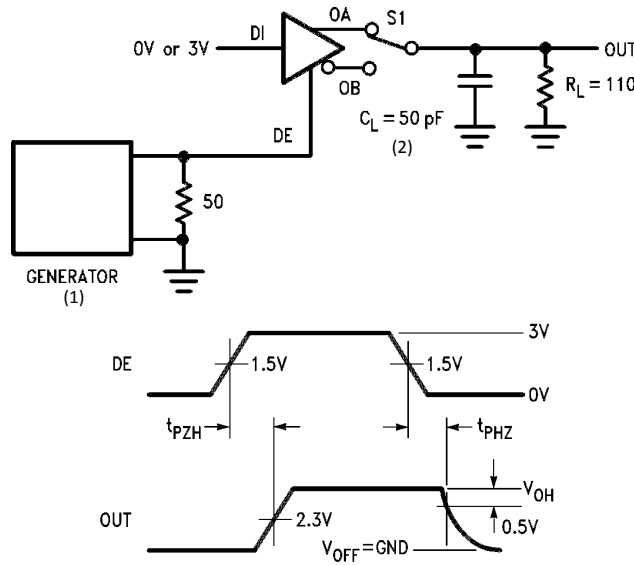
Figure 4. Receiver V_{OH} and V_{OL}



- (1) The input pulse is supplied by a generator having the following characteristics: $f = 1.0$ MHz, 50% Duty Cycle, t_r and $t_f < 6.0$ ns, $Z_0 = 50\Omega$
- (2) C_L includes probe and stray capacitance.

Figure 5. Driver Differential Propagation Delay and Transition Timing

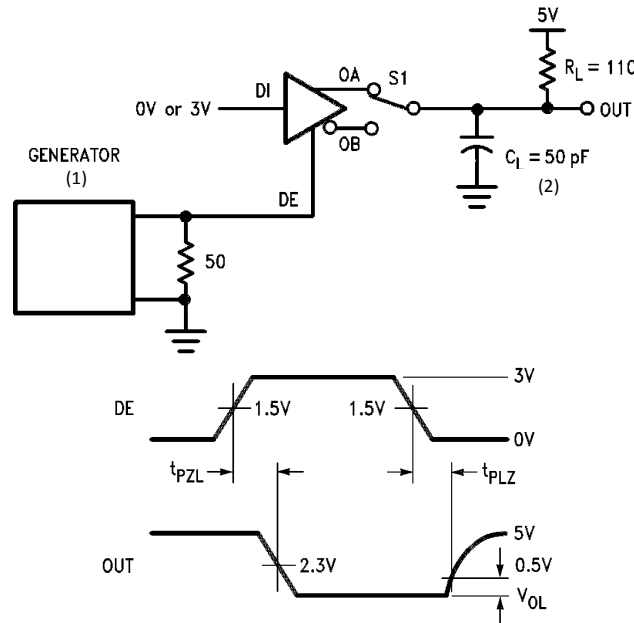
Parameter Measurement Information (continued)



S1 to OA for DI = 3V
 S1 to OB for DI = 0V

- (1) The input pulse is supplied by a generator having the following characteristics: $f = 1.0$ MHz, 50% Duty Cycle, t_r and $t_f < 6.0$ ns, $Z_O = 50\Omega$
- (2) C_L includes probe and stray capacitance.

Figure 6. Driver Enable and Disable Timing (t_{PZH} , t_{PHZ})

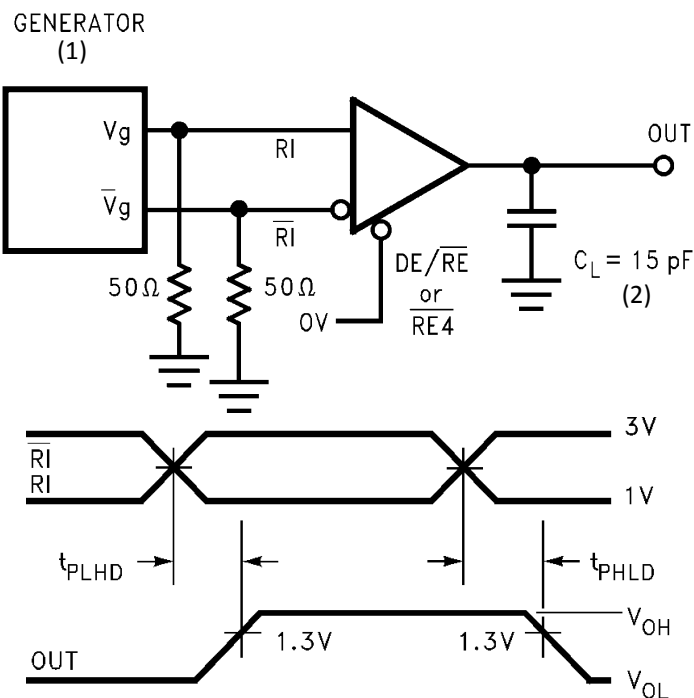


S1 to OA for DI = 0V
 S1 to OB for DI = 3V

- (1) The input pulse is supplied by a generator having the following characteristics: $f = 1.0$ MHz, 50% Duty Cycle, t_r and $t_f < 6.0$ ns, $Z_O = 50\Omega$
- (2) C_L includes probe and stray capacitance.

Figure 7. Driver Enable and Disable Timing (t_{PZL} , t_{PLZ})

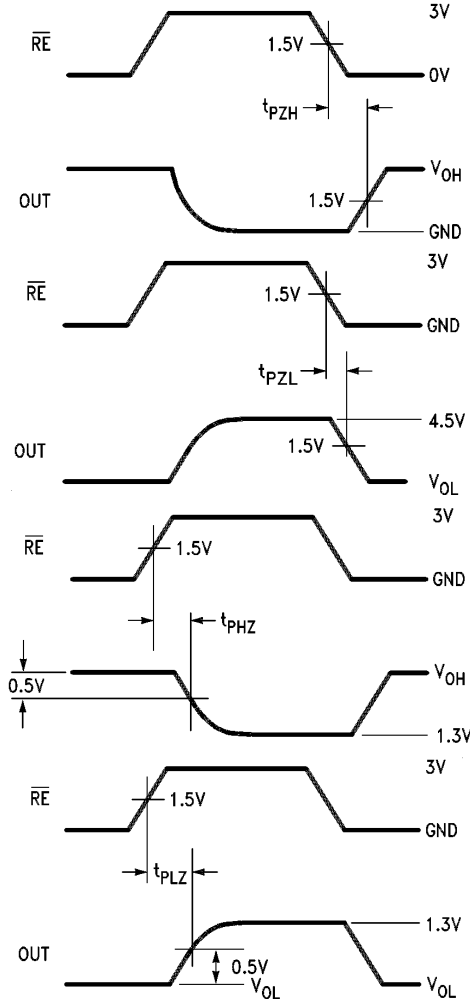
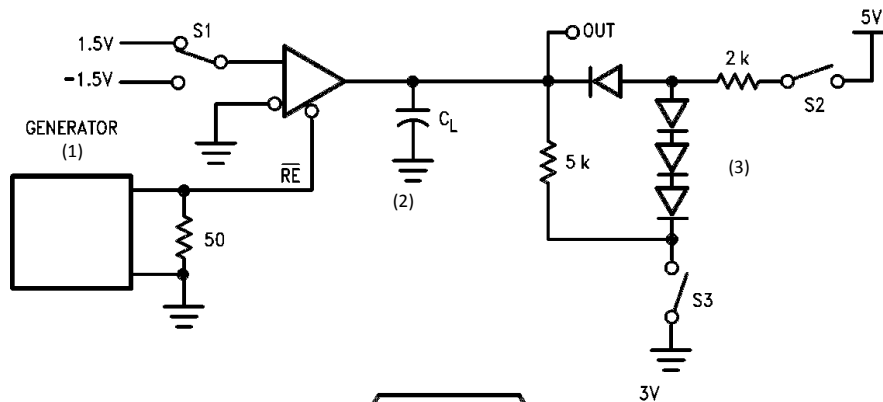
Parameter Measurement Information (continued)



- (1) The input pulse is supplied by a generator having the following characteristics: $f = 1.0\text{ MHz}$, 50% Duty Cycle, t_r and $t_f < 6.0\text{ ns}$, $Z_0 = 50\Omega$
- (2) C_L includes probe and stray capacitance.

Figure 8. Receiver Differential Propagation Delay Timing

Parameter Measurement Information (continued)

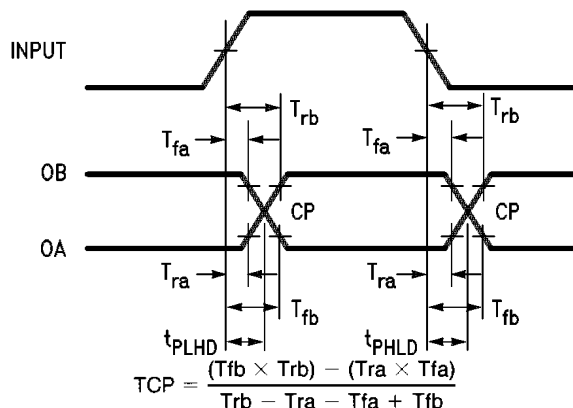


S1 -1.5V
S2 CLOSED
S3 CLOSED

- (1) The input pulse is supplied by a generator having the following characteristics: $f = 1.0 \text{ MHz}$, 50% Duty Cycle, t_r and $t_f < 6.0 \text{ ns}$, $Z_0 = 50\Omega$
- (2) C_L includes probe and stray capacitance.
- (3) Diodes are 1N916 or equivalent.

Figure 9. Receiver Enable and Disable Timing

Parameter Measurement Information (continued)



TCP = Crossing Point
 T_{ra} , T_{rb} , T_{fa} , and T_{fb} are propagation delay measurements to the 20% and 80% levels.

Figure 10. Propagation Delay Timing for Calculation of Driver Differential Propagation Delays

Typical Performance Characteristics

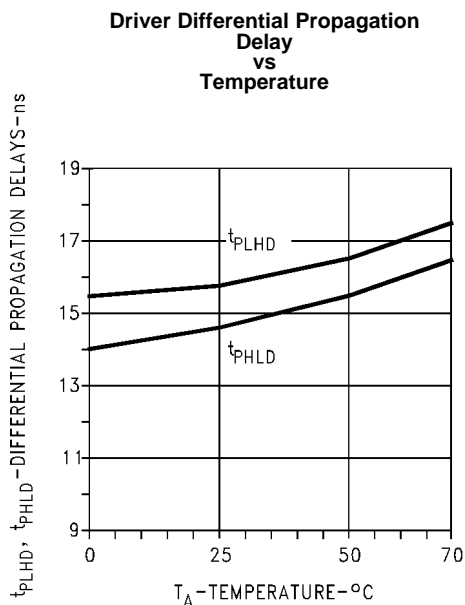


Figure 11.

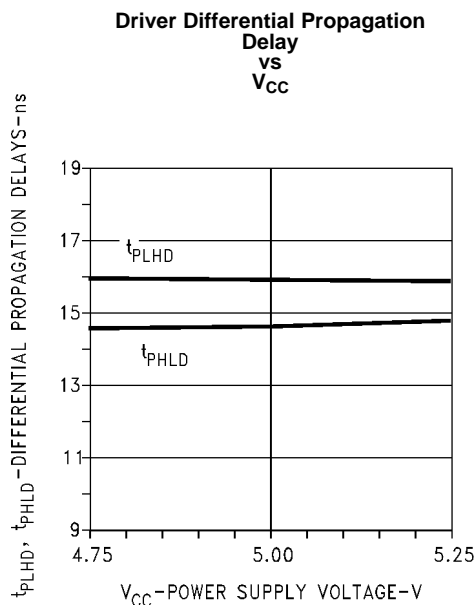


Figure 12.

Typical Performance Characteristics (continued)

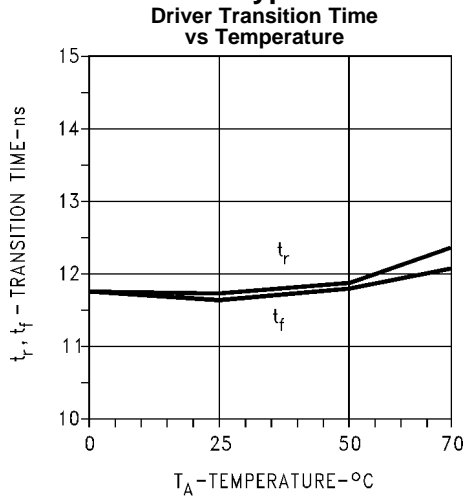


Figure 13.

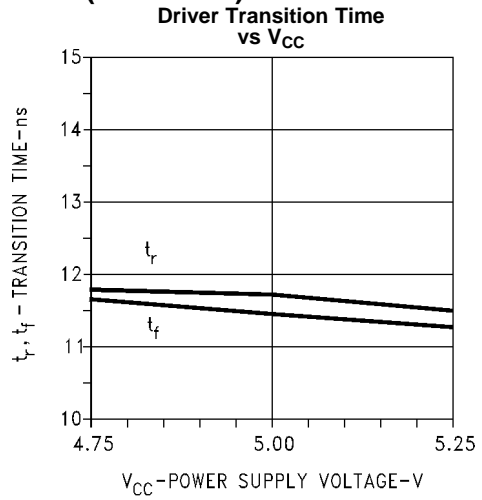


Figure 14.

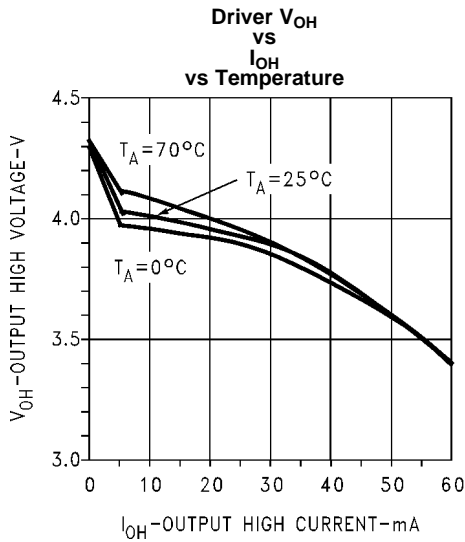


Figure 15.

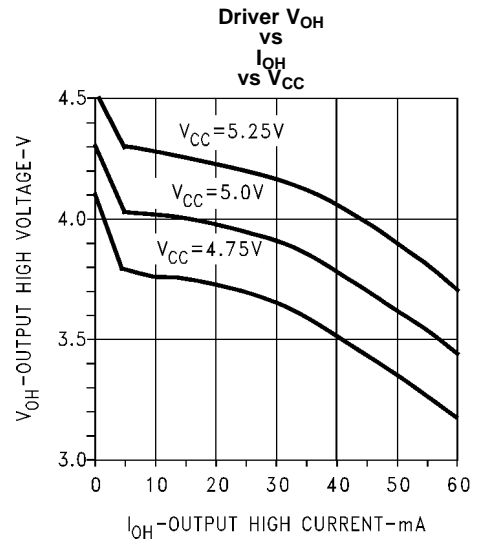


Figure 16.

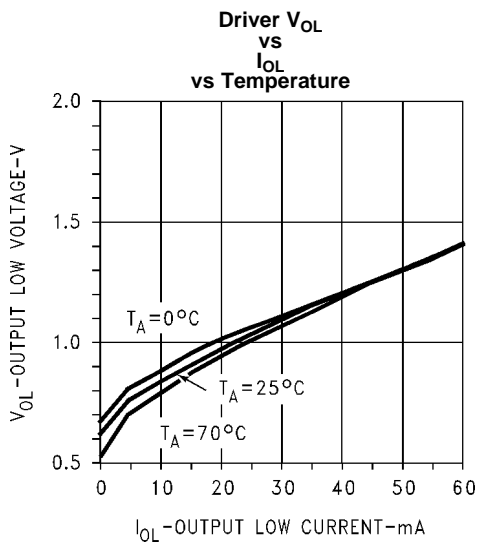


Figure 17.

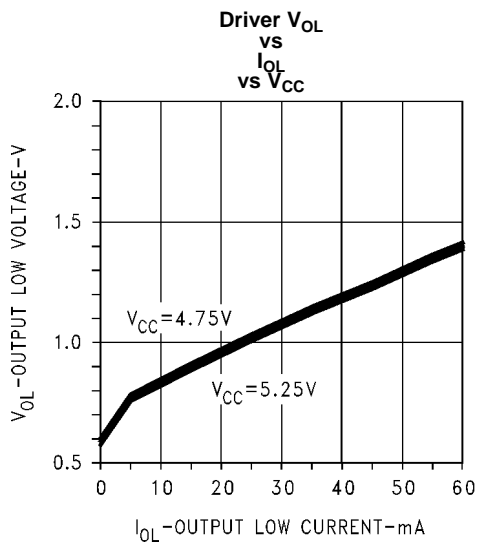


Figure 18.

Typical Performance Characteristics (continued)

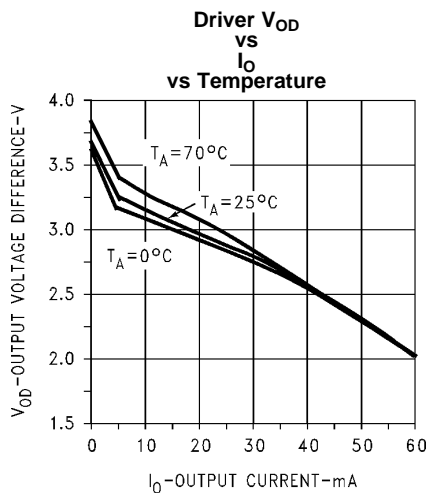


Figure 19.

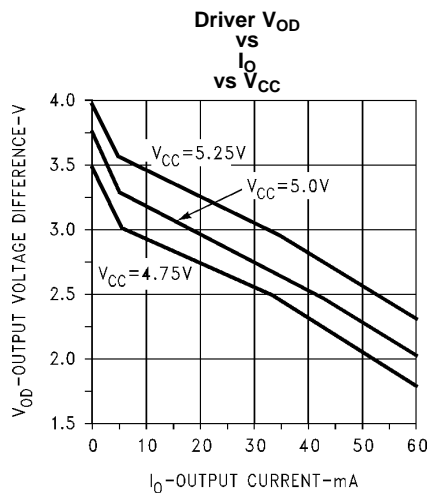


Figure 20.

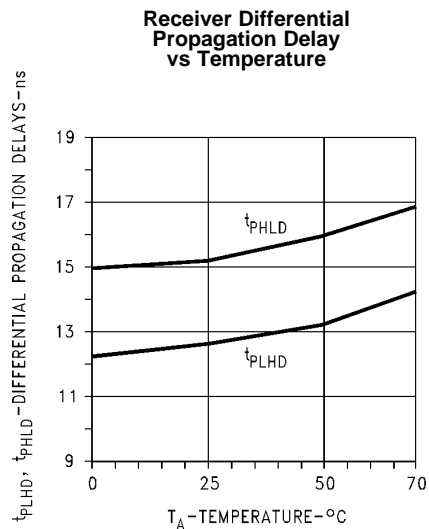


Figure 21.

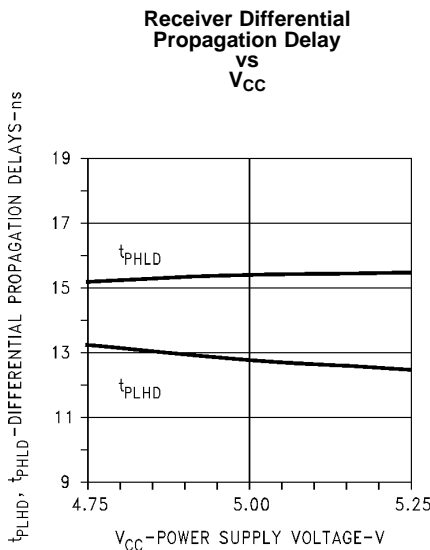


Figure 22.

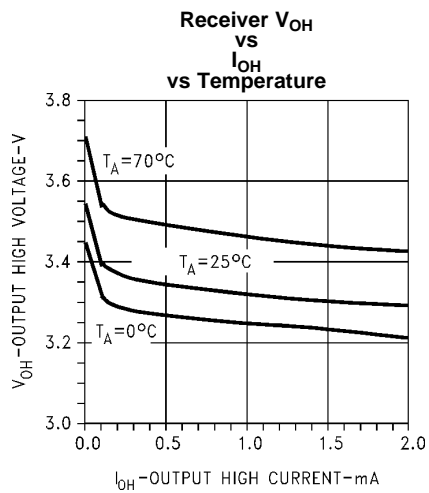


Figure 23.

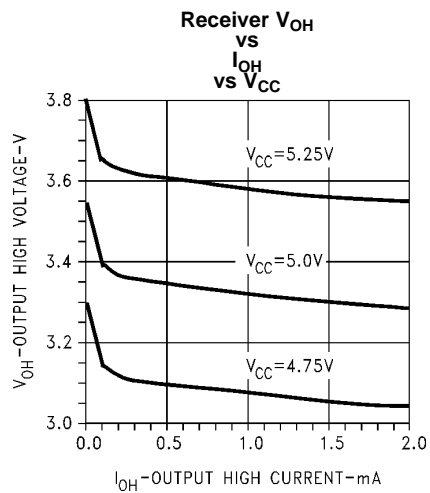


Figure 24.

Typical Performance Characteristics (continued)

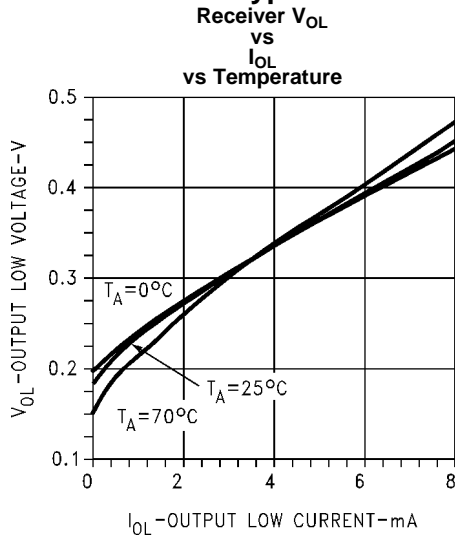


Figure 25.

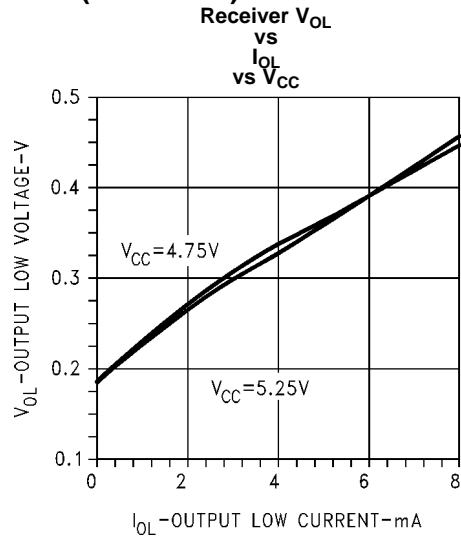


Figure 26.

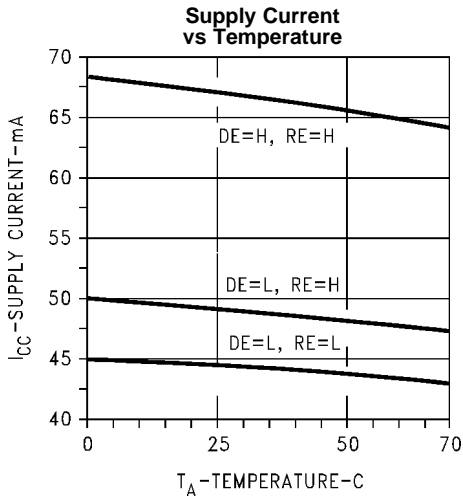


Figure 27.

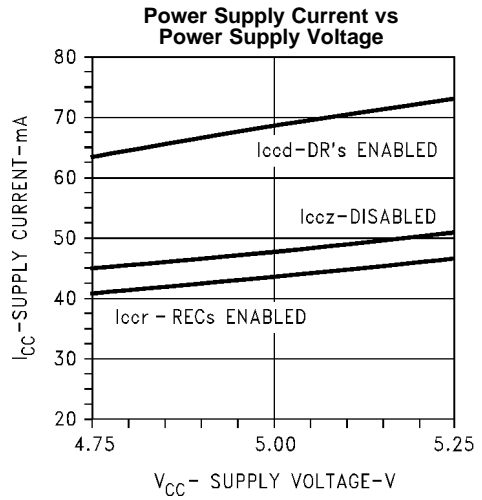


Figure 28.

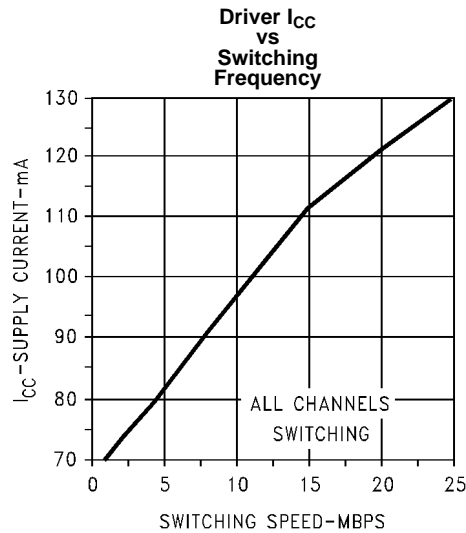


Figure 29.

REVISION HISTORY

Changes from Revision B (February 2013) to Revision C	Page
<hr/> <ul style="list-style-type: none">• Changed layout of National Data Sheet to TI format	<hr/> 12

PACKAGING INFORMATION

Orderable Device	Status (1)	Package Type	Package Drawing	Pins	Package Qty	Eco Plan (2)	Lead/Ball Finish (6)	MSL Peak Temp (3)	Op Temp (°C)	Device Marking (4/5)	Samples
DS36950VX/NOPB	OBSOLETE	PLCC	FN	20		TBD	Call TI	Call TI	0 to 70	DS36950V	

(1) The marketing status values are defined as follows:

ACTIVE: Product device recommended for new designs.

LIFEBUY: TI has announced that the device will be discontinued, and a lifetime-buy period is in effect.

NRND: Not recommended for new designs. Device is in production to support existing customers, but TI does not recommend using this part in a new design.

PREVIEW: Device has been announced but is not in production. Samples may or may not be available.

OBSOLETE: TI has discontinued the production of the device.

(2) Eco Plan - The planned eco-friendly classification: Pb-Free (RoHS), Pb-Free (RoHS Exempt), or Green (RoHS & no Sb/Br) - please check <http://www.ti.com/productcontent> for the latest availability information and additional product content details.

TBD: The Pb-Free/Green conversion plan has not been defined.

Pb-Free (RoHS): TI's terms "Lead-Free" or "Pb-Free" mean semiconductor products that are compatible with the current RoHS requirements for all 6 substances, including the requirement that lead not exceed 0.1% by weight in homogeneous materials. Where designed to be soldered at high temperatures, TI Pb-Free products are suitable for use in specified lead-free processes.

Pb-Free (RoHS Exempt): This component has a RoHS exemption for either 1) lead-based flip-chip solder bumps used between the die and package, or 2) lead-based die adhesive used between the die and leadframe. The component is otherwise considered Pb-Free (RoHS compatible) as defined above.

Green (RoHS & no Sb/Br): TI defines "Green" to mean Pb-Free (RoHS compatible), and free of Bromine (Br) and Antimony (Sb) based flame retardants (Br or Sb do not exceed 0.1% by weight in homogeneous material)

(3) MSL, Peak Temp. - The Moisture Sensitivity Level rating according to the JEDEC industry standard classifications, and peak solder temperature.

(4) There may be additional marking, which relates to the logo, the lot trace code information, or the environmental category on the device.

(5) Multiple Device Markings will be inside parentheses. Only one Device Marking contained in parentheses and separated by a "~" will appear on a device. If a line is indented then it is a continuation of the previous line and the two combined represent the entire Device Marking for that device.

(6) Lead/Ball Finish - Orderable Devices may have multiple material finish options. Finish options are separated by a vertical ruled line. Lead/Ball Finish values may wrap to two lines if the finish value exceeds the maximum column width.

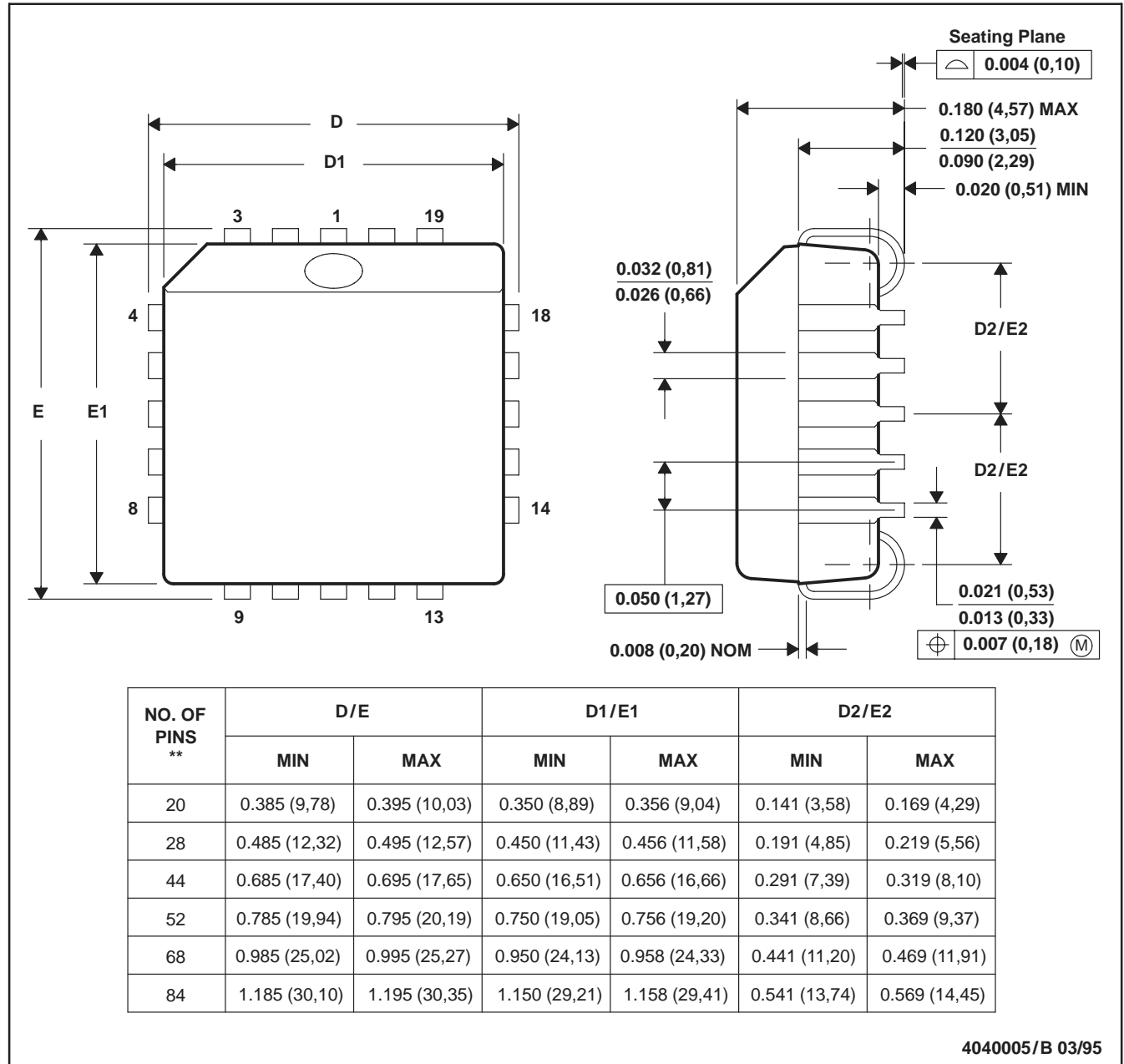
Important Information and Disclaimer: The information provided on this page represents TI's knowledge and belief as of the date that it is provided. TI bases its knowledge and belief on information provided by third parties, and makes no representation or warranty as to the accuracy of such information. Efforts are underway to better integrate information from third parties. TI has taken and continues to take reasonable steps to provide representative and accurate information but may not have conducted destructive testing or chemical analysis on incoming materials and chemicals. TI and TI suppliers consider certain information to be proprietary, and thus CAS numbers and other limited information may not be available for release.

In no event shall TI's liability arising out of such information exceed the total purchase price of the TI part(s) at issue in this document sold by TI to Customer on an annual basis.

FN (S-PQCC-J**)

PLASTIC J-LEADED CHIP CARRIER

20 PIN SHOWN



- NOTES: A. All linear dimensions are in inches (millimeters).
 B. This drawing is subject to change without notice.
 C. Falls within JEDEC MS-018

IMPORTANT NOTICE

Texas Instruments Incorporated and its subsidiaries (TI) reserve the right to make corrections, enhancements, improvements and other changes to its semiconductor products and services per JESD46, latest issue, and to discontinue any product or service per JESD48, latest issue. Buyers should obtain the latest relevant information before placing orders and should verify that such information is current and complete. All semiconductor products (also referred to herein as "components") are sold subject to TI's terms and conditions of sale supplied at the time of order acknowledgment.

TI warrants performance of its components to the specifications applicable at the time of sale, in accordance with the warranty in TI's terms and conditions of sale of semiconductor products. Testing and other quality control techniques are used to the extent TI deems necessary to support this warranty. Except where mandated by applicable law, testing of all parameters of each component is not necessarily performed.

TI assumes no liability for applications assistance or the design of Buyers' products. Buyers are responsible for their products and applications using TI components. To minimize the risks associated with Buyers' products and applications, Buyers should provide adequate design and operating safeguards.

TI does not warrant or represent that any license, either express or implied, is granted under any patent right, copyright, mask work right, or other intellectual property right relating to any combination, machine, or process in which TI components or services are used. Information published by TI regarding third-party products or services does not constitute a license to use such products or services or a warranty or endorsement thereof. Use of such information may require a license from a third party under the patents or other intellectual property of the third party, or a license from TI under the patents or other intellectual property of TI.

Reproduction of significant portions of TI information in TI data books or data sheets is permissible only if reproduction is without alteration and is accompanied by all associated warranties, conditions, limitations, and notices. TI is not responsible or liable for such altered documentation. Information of third parties may be subject to additional restrictions.

Resale of TI components or services with statements different from or beyond the parameters stated by TI for that component or service voids all express and any implied warranties for the associated TI component or service and is an unfair and deceptive business practice. TI is not responsible or liable for any such statements.

Buyer acknowledges and agrees that it is solely responsible for compliance with all legal, regulatory and safety-related requirements concerning its products, and any use of TI components in its applications, notwithstanding any applications-related information or support that may be provided by TI. Buyer represents and agrees that it has all the necessary expertise to create and implement safeguards which anticipate dangerous consequences of failures, monitor failures and their consequences, lessen the likelihood of failures that might cause harm and take appropriate remedial actions. Buyer will fully indemnify TI and its representatives against any damages arising out of the use of any TI components in safety-critical applications.

In some cases, TI components may be promoted specifically to facilitate safety-related applications. With such components, TI's goal is to help enable customers to design and create their own end-product solutions that meet applicable functional safety standards and requirements. Nonetheless, such components are subject to these terms.

No TI components are authorized for use in FDA Class III (or similar life-critical medical equipment) unless authorized officers of the parties have executed a special agreement specifically governing such use.

Only those TI components which TI has specifically designated as military grade or "enhanced plastic" are designed and intended for use in military/aerospace applications or environments. Buyer acknowledges and agrees that any military or aerospace use of TI components which have **not** been so designated is solely at the Buyer's risk, and that Buyer is solely responsible for compliance with all legal and regulatory requirements in connection with such use.

TI has specifically designated certain components as meeting ISO/TS16949 requirements, mainly for automotive use. In any case of use of non-designated products, TI will not be responsible for any failure to meet ISO/TS16949.

Products

Audio	www.ti.com/audio
Amplifiers	amplifier.ti.com
Data Converters	dataconverter.ti.com
DLP® Products	www.dlp.com
DSP	dsp.ti.com
Clocks and Timers	www.ti.com/clocks
Interface	interface.ti.com
Logic	logic.ti.com
Power Mgmt	power.ti.com
Microcontrollers	microcontroller.ti.com
RFID	www.ti-rfid.com
OMAP Applications Processors	www.ti.com/omap
Wireless Connectivity	www.ti.com/wirelessconnectivity

Applications

Automotive and Transportation	www.ti.com/automotive
Communications and Telecom	www.ti.com/communications
Computers and Peripherals	www.ti.com/computers
Consumer Electronics	www.ti.com/consumer-apps
Energy and Lighting	www.ti.com/energy
Industrial	www.ti.com/industrial
Medical	www.ti.com/medical
Security	www.ti.com/security
Space, Avionics and Defense	www.ti.com/space-avionics-defense
Video and Imaging	www.ti.com/video

TI E2E Community

e2e.ti.com