



Multi Band 47dBi GPS/GNSS Survey Antenna 1,164-1,615 MHz TNC Female Connector IP69K

Antennas Technical Data Sheet

PEANGPS1005

Features

- Multi Band
- 1.164-1.3GHz and 1.525-1.615GHz
- IP69K Rated
- Stable Phase Center
- Millimeter Level Accuracy
- TNC Female

Applications

- GPS L1/L2/L5
- GLONASS L1/L2/L3
- Galileo E1/E5a/E5b/E6
- BDS B1/B2/B3
- QZSS L1/L2/L5/L6
- SBAS L1/L5
- IRNSS L5
- L Band Correction Services
- Unmanned Vehicles/Vessels
- GIS Surveying
- Autonomous Vehicles

Description

The PEANGPS1005 is an active GPS/GNSS multi band L1/L2/L5 antenna with 47.5 dBi overall gain. This high precision ruggedized antenna is IP69K rated, light weight and designed for Survey. The active Survey GPS/GNSS antenna is ideally suited for use in harsh operating environments where stability and reliability of GPS/GNSS signal is required.

This antenna operates in the 1.164-1.3GHz and 1.525-1.615GHz bands meeting GPS L1/L2/L5, GALILEO E1/E6/E5a/E5b and GLONASS L1/L2/L3 requirements. The PEANGPS1005 antenna has an integrated LNA with 2 dB noise figure and typical LNA gain of 40 dB.

The PEANGPS1005 GPS/GNSS antenna from Pasternack, with an axial ratio of 3 dB, can track visible satellites under extreme conditions, providing positioning solutions with accuracy for UAV navigation, autonomous tracking, or GIS surveying.

Configuration

Design	GPS/GNSS Active
Band Type	Multi
Polarization	RHCP
Connector Type	TNC Female

Electrical Specifications

Description	Minimum	Typical	Maximum	Units
Frequency Range	1,164		1,615	MHz
Output VSWR			2:1	
Impedance		50		Ohms
Gain		47.5		dBi
Gain Variation		±4		dBi
Noise Figure		2		dB
Operating DC Voltage	3.3		18	Volts
Current			45	mA
Axial Ratio		3		dB

Click the following link (or enter part number in "SEARCH" on website) to obtain additional part information including price, inventory and certifications: [Multi Band 47dBi GPS/GNSS Survey Antenna 1,164-1,615 MHz TNC Female Connector IP69K PEANGPS1005](#)



Multi Band 47dBi GPS/GNSS Survey Antenna 1,164-1,615 MHz TNC Female Connector IP69K

Antennas Technical Data Sheet

PEANGPS1005

Specifications by Band

Description	Band 1	Band 2	Band 3	Band 4	Band 5	Units
Range	1.164 to 1.3	1.525 to 1.615				GHz
Gain	47.5	47.5				dBi

Mechanical Specifications

Mounting Application Coarse threaded 5/8"-11, thread hole depth 10-11mm

Size

Overall Length 5.9 in [149.86 mm]
 Width 5.9 in [149.86 mm]
 Height 2.08 in [52.83 mm]
 Weight 1.85 lbs [839.15 g]

Environmental Specifications

Temperature

Operating Range -45 to +85 deg C
 Storage Range -55 to +85 deg C

Humidity 95%

Shock 75Gs, 6ms duration, 3 shocks in mutually perpendicular axes

Vibration 9.8gRMS, 24 2000Hz

Corrosion 96h (continuous spray, 5% concentration, 35°C)

Ingress Protection IP67/IP69K

Compliance Certifications (see [product page](#) for current document)

Plotted and Other Data

Notes:

Click the following link (or enter part number in "SEARCH" on website) to obtain additional part information including price, inventory and certifications: [Multi Band 47dBi GPS/GNSS Survey Antenna 1,164-1,615 MHz TNC Female Connector IP69K PEANGPS1005](#)



Multi Band 47dBi GPS/GNSS Survey Antenna 1,164-
1,615 MHz TNC Female Connector IP69K

Antennas Technical Data Sheet

PEANGPS1005

Multi Band 47dBi GPS/GNSS Survey Antenna 1,164-1,615 MHz TNC Female Connector IP69K from Pasternack Enterprises has same day shipment for domestic and International orders. Our RF, microwave and millimeter wave products maintain a 99.4% availability and are part of the broadest selection in the industry.

Click the following link (or enter part number in "SEARCH" on website) to obtain additional part information including price, inventory and certifications: [Multi Band 47dBi GPS/GNSS Survey Antenna 1,164-1,615 MHz TNC Female Connector IP69K PEANGPS1005](https://www.pasternack.com/47.5-dbi-band-gps-active-antenna-1164-1615-mhz-tnc-female-connector-peangps1005-p.aspx)

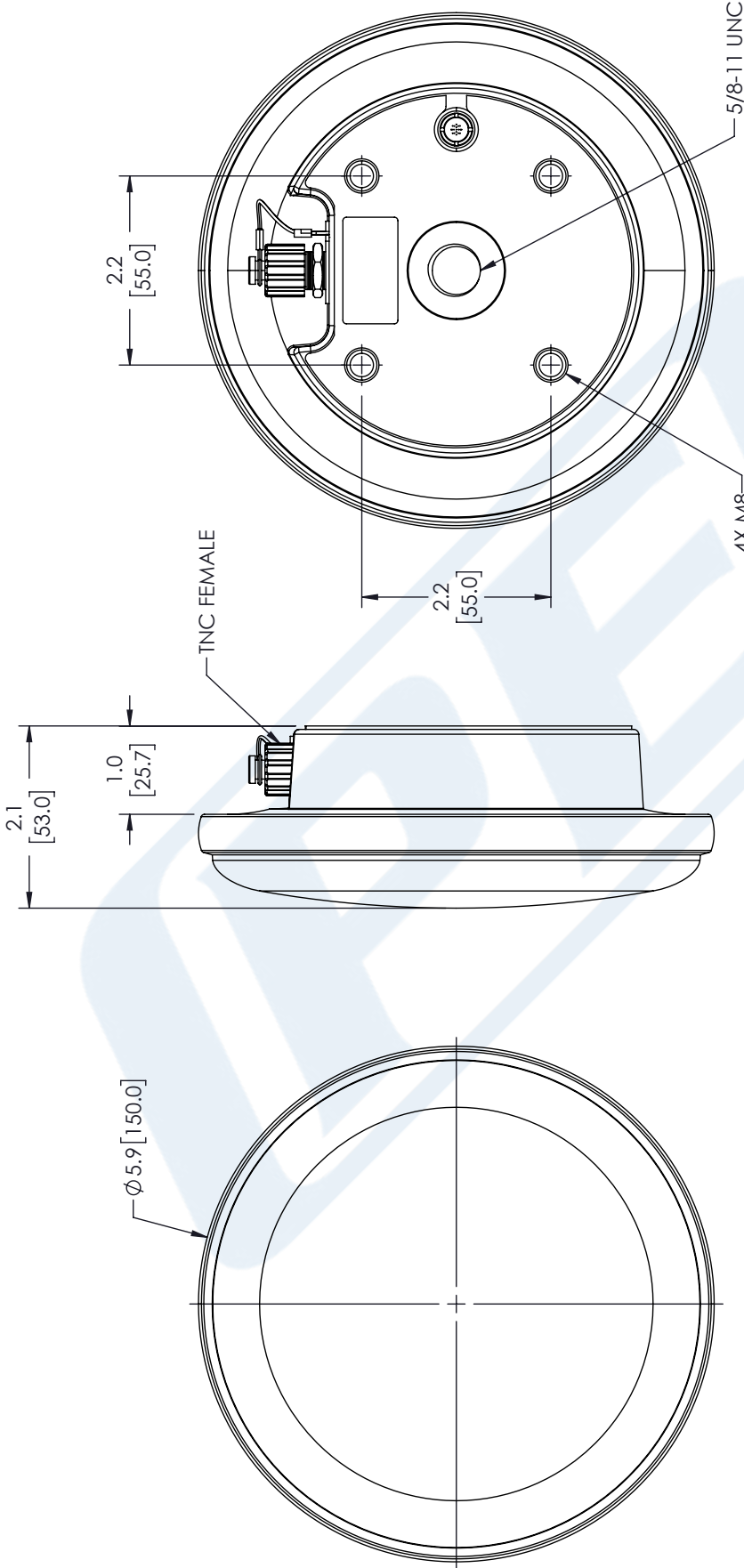
URL: <https://www.pasternack.com/47.5-dbi-band-gps-active-antenna-1164-1615-mhz-tnc-female-connector-peangps1005-p.aspx>

The information contained in this document is accurate to the best of our knowledge and representative of the part described herein. It may be necessary to make modifications to the part and/or the documentation of the part, in order to implement improvements. Pasternack reserves the right to make such changes as required. Unless otherwise stated, all specifications are nominal. Pasternack does not make any representation or warranty regarding the suitability of the part described herein for any particular purpose, and Pasternack does not assume any liability arising out of the use of any part or documentation.

PEANGPS1005 CAD Drawing

Multi Band 47dBi GPS/GNSS Survey Antenna 1,164-1,615 MHz TNC Female Connector IP69K

REVISIONS			
REV.	DESCRIPTION	DATE	APPROVED
A	INITIAL RELEASE	5/9/2022	KHIETPAS



THIRD-ANGLE PROJECTION

THE INFORMATION AND DESIGN IN THIS DOCUMENT IS THE PROPERTY OF PASTERNAK CORPORATION. ALL RIGHTS RESERVED.

SHEET 1 OF 1

SCALE N/A

REV A

PE PASTERNAK
an INFINIT brand

Pasternack Enterprises, Inc.
P. O. Box 16759, Irvine, CA 92623.
Phone: 1.949.261.1920 | 1.866.727.8376
Fax: 1.949.261.7451
Website: www.pasternack.com
E-mail: sales@pasternack.com

SIZE A CAGE CODE 53919 DRAWN BY HBAKKE ITEM NO. PEANGPS1005

UNLESS OTHERWISE SPECIFIED LEADING DIMENSIONS ARE INCHES DIMENSIONS IN [] ARE MILLIMETERS

TOLERANCES:

.X = ±.2 [5.08] FRACTIONS ±.1/32
.XX = ±.02 [.51] ±.1/32
.XXX = ±.005 [.13] ANGLES ± 1°

CABLE LENGTH (L), TOLERANCES:

L ≤ 12 [305] = +1 [25] / -0
12 [305] < L ≤ 60 [1524] = +2 [51] / -0
60 [1524] < L ≤ 120 [3048] = +4 [102] / -0
120 [3048] < L ≤ 300 [7620] = +6 [152] / -0
300 [7620] < L = +5% / -0

ALL DIMENSIONS SHOWN ARE FOR REFERENCE ONLY.

THESE COMMODITIES, TECHNOLOGY OR SOFTWARE WERE EXPORTED FROM THE UNITED STATES IN ACCORDANCE WITH THE EXPORT ADMINISTRATION REGULATIONS. DIVERSION CONTRARY TO U.S. LAW PROHIBITED.