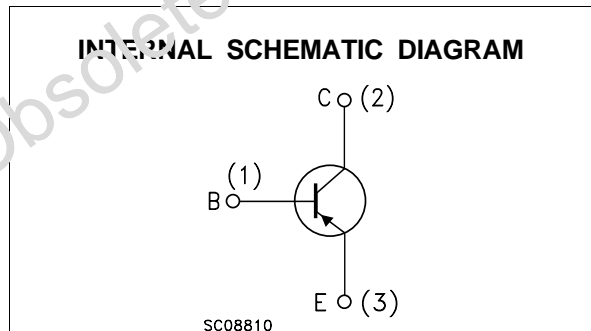
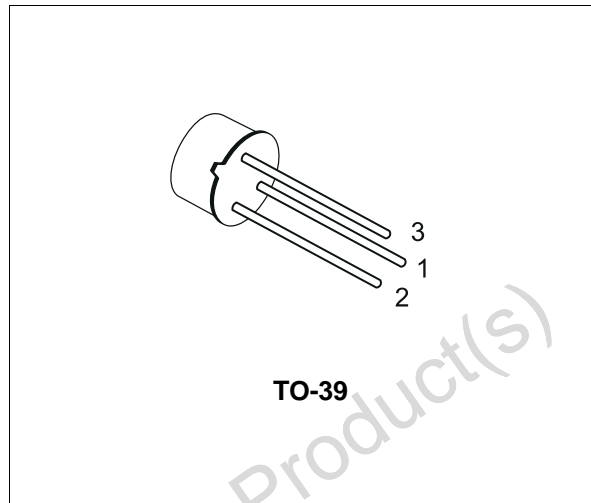


SILICON PNP TRANSISTOR

- STMicroelectronics PREFERRED SALESTYPE
- PNP TRANSISTOR

DESCRIPTION

The BSS44 is a silicon epitaxial planar PNP transistor in Jedec TO-39 metal case. It is used for high-current switching and power applications up to 5 A.



ABSOLUTE MAXIMUM RATINGS

Symbol	Parameter	Value	Unit
V_{CBO}	Collector-Base Voltage ($I_E = 0$)	- 65	V
V_{CEO}	Collector-Emitter Voltage ($I_B = 0$)	- 60	V
V_{EBO}	Emitter-Base Voltage ($I_C = 0$)	- 6	V
I_C	Collector Current	- 5	A
P_{tot}	Total Dissipation at $T_{case} \leq 25\text{ }^\circ\text{C}$ $T_{amb} \leq 25\text{ }^\circ\text{C}$	5	W
		0.87	W
T_{stg}	Storage Temperature	-65 to 200	$^\circ\text{C}$
T_j	Max. Operating Junction Temperature	200	$^\circ\text{C}$

BSS44

THERMAL DATA

R _{thj-case}	Thermal Resistance Junction-case	Max	35	°C/W
R _{thj-amb}	Thermal Resistance Junction-amb	Max	200	°C/W

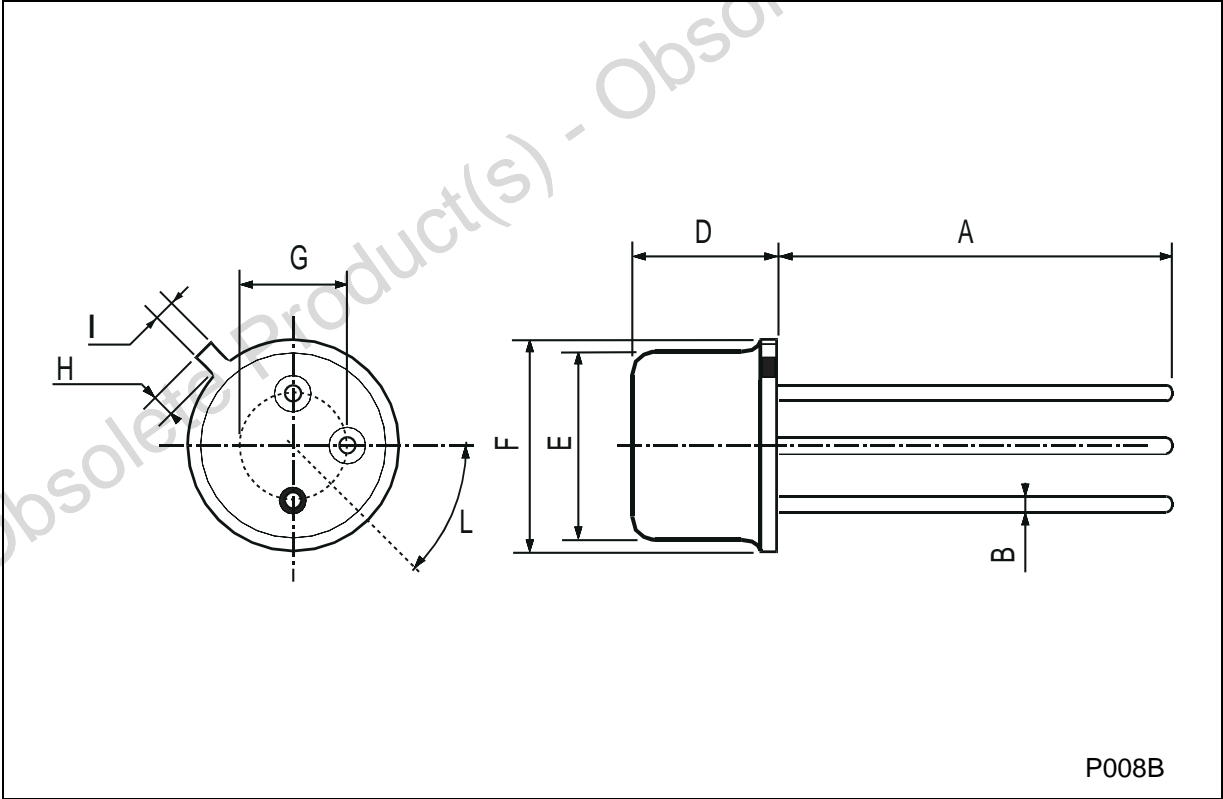
ELECTRICAL CHARACTERISTICS (T_{case} = 25 °C unless otherwise specified)

Symbol	Parameter	Test Conditions		Min.	Typ.	Max.	Unit
I _{CES}	Collector Cut-off Current (V _{BE} =0)	V _{CE} = -60 V				-0.5	μA
V _{(BR)CBO} *	Collector-base Breakdown Voltage (I _E = 0)	I _C = -1 mA		-65			V
V _{CEO(sus)} *	Collector-Emitter Sustaining Voltage (I _B = 0)	I _C = -50 mA		-60			V
V _{EBO} *	Emitter-base Voltage (I _C = 0)	I _E = -1 mA		-6			V
V _{CE(sat)} *	Collector-Emitter Saturation Voltage	I _C = -0.5 A	I _B = -50 mA		-0.1		V
		I _C = -5 A	I _B = -0.5 A		-0.4	-1	V
V _{BE(sat)} *	Base-Emitter Saturation Voltage	I _C = -0.5 A	I _B = -50 mA		-0.8		V
		I _C = -5 A	I _B = -0.5 A		-1.1	-1.6	V
h _{FE} *	DC Current Gain	I _C = -0.5 A	V _{CE} = -2 V	30			
		I _C = -2 A	V _{CE} = -2 V	40	70		
		I _C = -5 A	V _{CE} = -2 V		45		
f _T *	Transition Frequency	I _C = -0.5 A	V _{CE} = -5 V		80		MHz
C _{CBO}	Collector-base Capacitance	I _E = 0 f = 1 MHz	V _{CB} = 10 V			100	pF
t _{on}	Turn-on Time	I _C = -0.5 A	V _{CC} = -20 V		0.065		μs
t _{off}	Turn-off Time	I _{B1} = -I _{B2} = -50 mA			0.45		μs

* Pulsed: Pulse duration = 300 μs, duty cycle 1.5 %

TO-39 MECHANICAL DATA

DIM.	mm			inch		
	MIN.	TYP.	MAX.	MIN.	TYP.	MAX.
A	12.7			0.500		
B			0.49			0.019
D			6.6			0.260
E			8.5			0.334
F			9.4			0.370
G	5.08			0.200		
H			1.2			0.047
I			0.9			0.035
L	45° (typ.)					



Obsolete Product(s) - Obsolete Product(s)

Information furnished is believed to be accurate and reliable. However, STMicroelectronics assumes no responsibility for the consequences of use of such information nor for any infringement of patents or other rights of third parties which may result from its use. No license is granted by implication or otherwise under any patent or patent rights of STMicroelectronics. Specification mentioned in this publication are subject to change without notice. This publication supersedes and replaces all information previously supplied. STMicroelectronics products are not authorized for use as critical components in life support devices or systems without express written approval of STMicroelectronics.

The ST logo is a trademark of STMicroelectronics

© 2000 STMicroelectronics – Printed in Italy – All Rights Reserved

STMicroelectronics GROUP OF COMPANIES

Australia - Brazil - China - Finland - France - Germany - Hong Kong - India - Italy - Japan - Malaysia - Malta - Morocco - Singapore - Spain - Sweden - Switzerland - United Kingdom - U.S.A.

<http://www.st.com>