



PART NAME

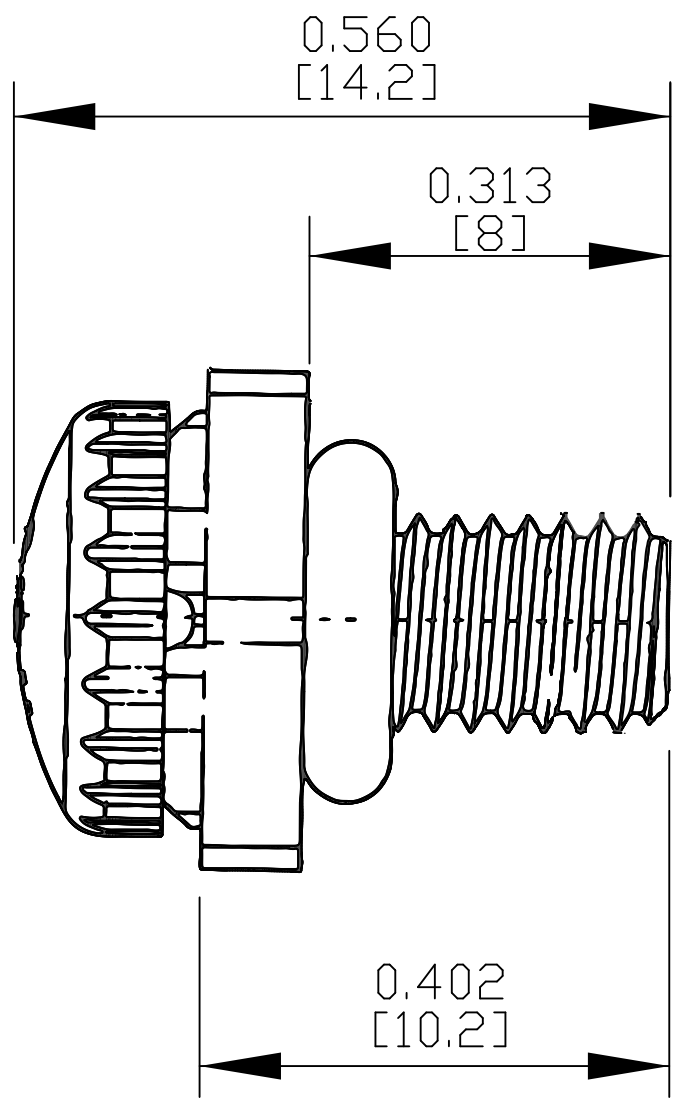
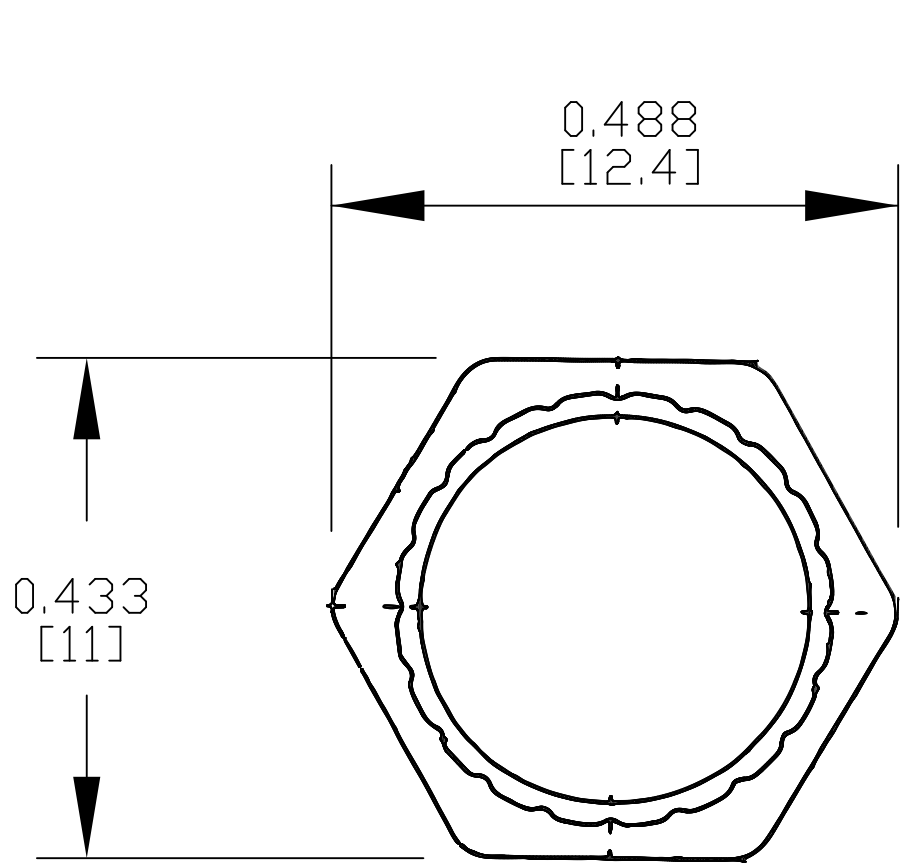
M6 X 1.0 VENT PLUG WITH O-RING WASHER

PART No.

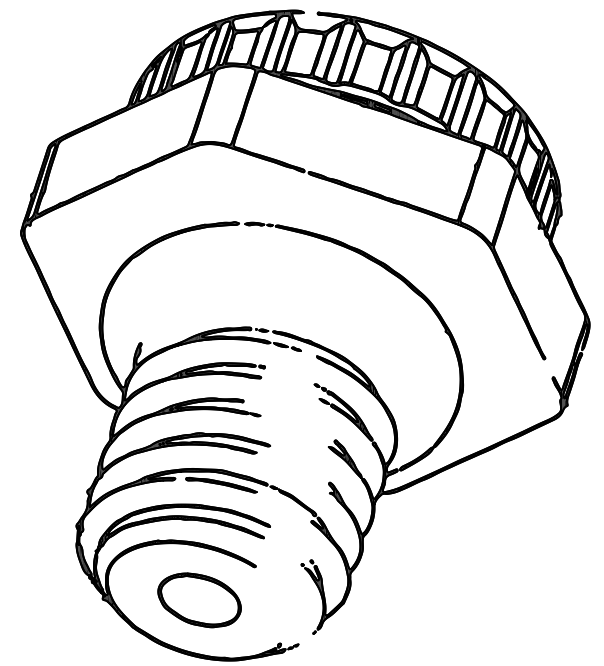
IPV-67601-B & IPV-67601-G

REV. DATE

5/30/19



M6x1.0



DRAWING FOR REFERENCE
 WE RESERVE THE RIGHT TO MAKE CHANGES TO OUR
 STANDARD PRODUCTS. PLEASE CONSULT WITH BUD INDUSTRIES
 PRIOR TO USING THIS DRAWING FOR DESIGN PURPOSE.

- NOTES:
- 1- BODY MATERIAL - PC (IP67)
 MEMBRANE MATERIAL - e-PTFE
 O-RING WASHER MATERIAL - SILICONE
 - 2- FINISH - (-B) BLACK (-G) GRAY
 - 3- DIMENSIONS ARE INCH
 [MM]