

4

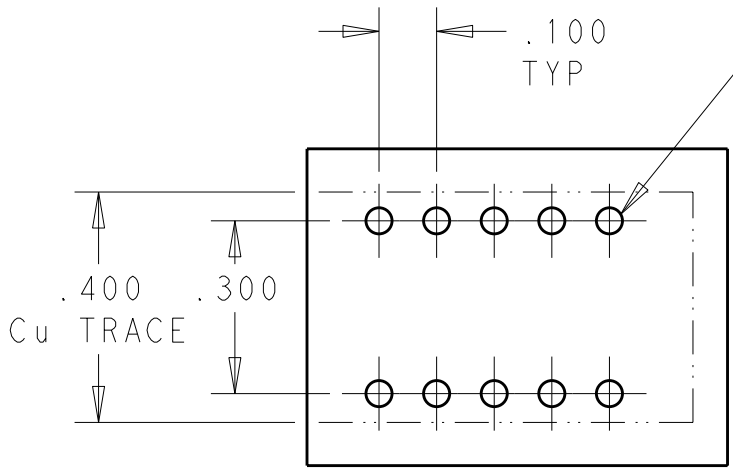
3

2

1

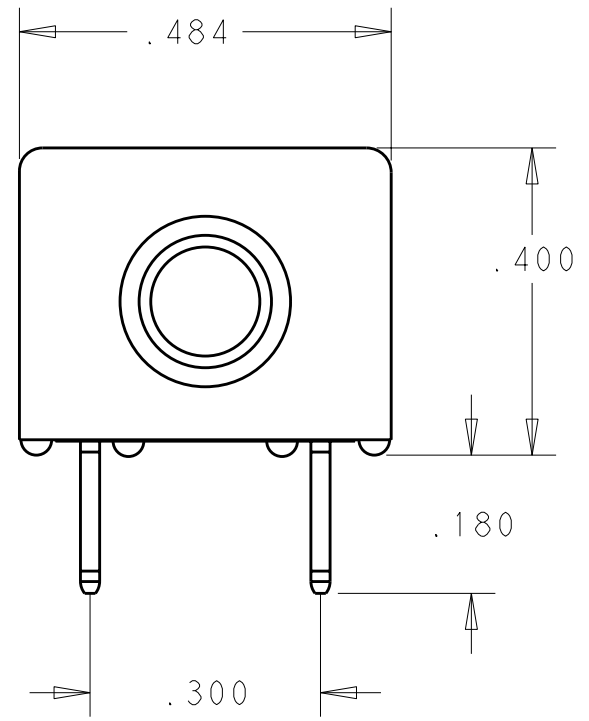
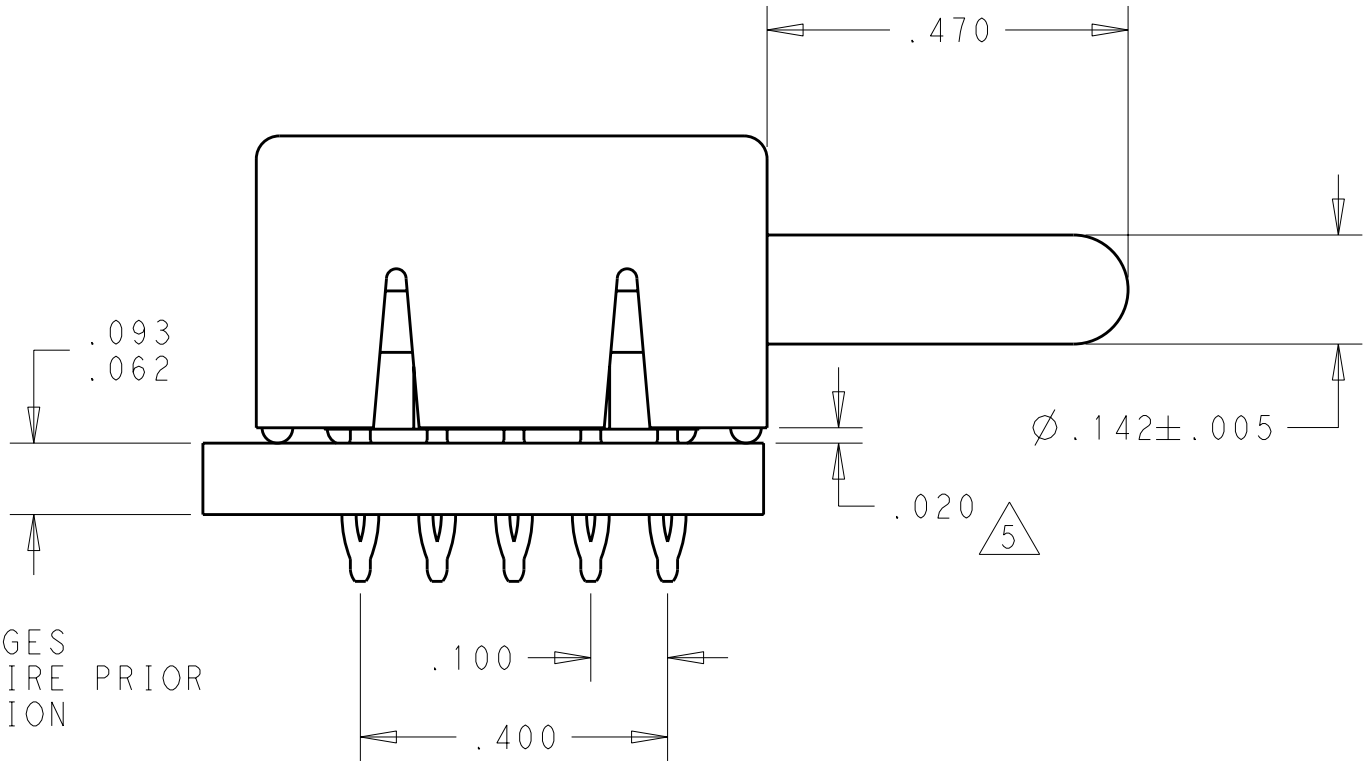
THIS DRAWING IS UNPUBLISHED. RELEASED FOR PUBLICATION 20
 © COPYRIGHT 20 TE ALL RIGHTS RESERVED.

LOC	DIST	REVISIONS			
P	LTR	DESCRIPTION	DATE	DWN	APVD
GP	00	C	REV PER ECO-11-007678	03JUN2011	RG DO



DRILLED HOLE ϕ .0453 \pm .001
 AFTER PLATING
 ϕ .043/.037
 10X

RECOMMENDED FOOTPRINT



- PART NUMBER CHANGES AND/OR DESIGN CHANGES AFFECTING ITEM INTERCHANGEABILITY REQUIRE PRIOR TE APPROVAL AND AUTHORIZATION BY REVISION TO THIS DRAWING.
- ITEMS PROVIDED TO THIS SPECIFICATION TO BE IDENTIFIED ON CONTAINER WITH THE FOLLOWING INFORMATION: PART NUMBER & DATE CODE OF MANUFACTURE

3 MATERIALS:
 INSULATOR - POLYESTER, GLASS FILLED UL 94V-0 RATED, COLOR: BLACK
 MODULE - ZINC ALLOY
 COMPLIANT PINS - PHOSPHOR BRONZE
 CROWN - BeCu

4 FINISH:
 MODULE - SILVER PLATED .000200 MIN THK. OVER NICKEL .000040 MIN THK.
 COMPLIANT PINS - SILVER PLATED .000200 MIN THK. OVER NICKEL .000040 MIN THK.
 CROWN - GOLD PLATED .000030 MIN THK. OVER NICKEL .000040 MIN THK.

5 A FIVE POUND (5lb) FORCE REQUIRED TO CORRECTLY SEAT THE CONNECTOR WITH PLATED THRU HOLES LESS THAN ϕ .040 INCH.

6643275-1
 PART NUMBER

THIS DRAWING IS A CONTROLLED DOCUMENT.		DWN 11 JAN 2011 LOVATO/GRZYBOWSKI		TE Connectivity	
DIMENSIONS: INCHES		TOLERANCES UNLESS OTHERWISE SPECIFIED:			
		0 PLC \pm -		NAME	
		1 PLC \pm -		ICCON PIN, PARALLEL COMPLIANT, NON-LOCKING STYLE	
MATERIAL -		2 PLC \pm -		SIZE	
		3 PLC \pm .020		A300779	
FINISH -		4 PLC \pm -		CAGE CODE	
		ANGLES \pm .5		C-6643275	
CUSTOMER DRAWING		APVD 11 JAN 2011 CHAU/ORRIS		DRAWING NO	
		PRODUCT SPEC		RESTRICTED TO	
		APPLICATION SPEC		SCALE 4:1	
		WEIGHT -		SHEET 1 OF 1	
				REV C	