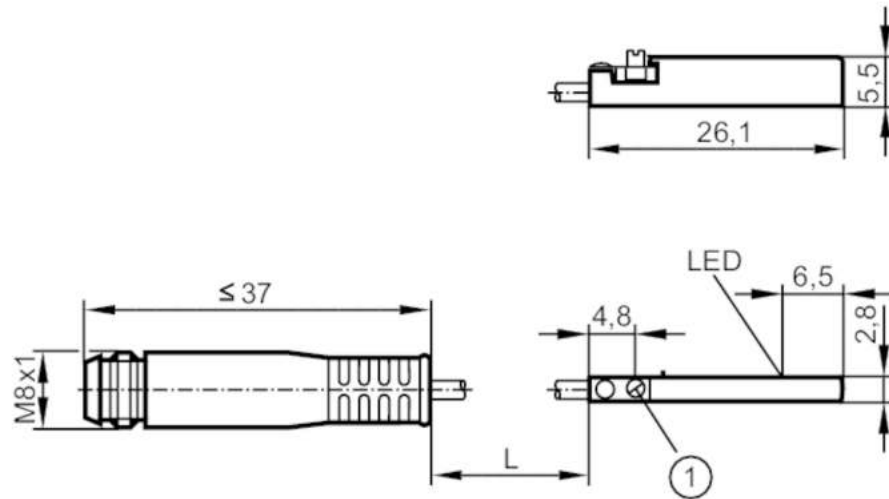


MK5310



Cylinder sensor with GMR cell

MKC3028BBPKG/G/0,3M/ZH/AS



1 fastening clamp



Product characteristics

Electrical design	PNP
Output function	normally open
Dimensions [mm]	26.1 x 2.8 x 5.5

Electrical data

Operating voltage [V]	10...30 DC; ("supply class 2" to cULus)
Current consumption [mA]	< 10
Protection class	III
Reverse polarity protection	yes
Max. power-on delay time [ms]	30

Outputs

Electrical design	PNP
Output function	normally open
Max. voltage drop switching output DC [V]	2.5
Permanent current rating of switching output DC [mA]	100
Switching frequency DC [Hz]	10000
Short-circuit protection	yes
Type of short-circuit protection	pulsed
Overload protection	yes

Detection zone

Response sensitivity [mT]	2.8
Travel speed [m/s]	> 10

Accuracy / deviations

Hysteresis [mm]	1.5
Repeatability [mm]	< 0.2

MK5310



Cylinder sensor with GMR cell

MKC3028BBPKG/G/0,3M/ZH/AS

Operating conditions

Ambient temperature	[°C]	-25...85
Protection		IP 65; IP 67

Tests / approvals

EMC	EN 61000-4-2 ESD	- CD / 8 kV AD
	EN 61000-4-3 HF radiated	10 V/m
	EN 61000-4-4 Burst	2 kV
	EN 61000-4-6 HF conducted	10 V
	EN 55011	class B
MTTF	[years]	3731
UL approval	UL Approval no.	C008

Mechanical data

Weight	[g]	9.7
Mounting		flush mountable
Cylinder type		C-slot cylinders
Dimensions	[mm]	26.1 x 2.8 x 5.5
Materials		housing: PA; fastening clamp: stainless steel

Displays / operating elements

Display	switching status	1 x LED, yellow
---------	------------------	-----------------

Remarks

Pack quantity		1 pcs.
---------------	--	--------

Electrical connection - plug

Cable: 0.3 m, PUR

Connector: 1 x M8; coding: A; Locking: snap-fit



Connection

