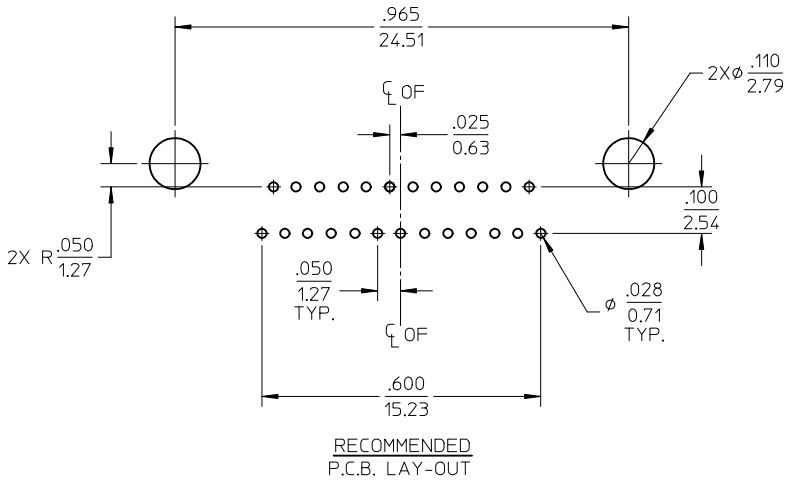
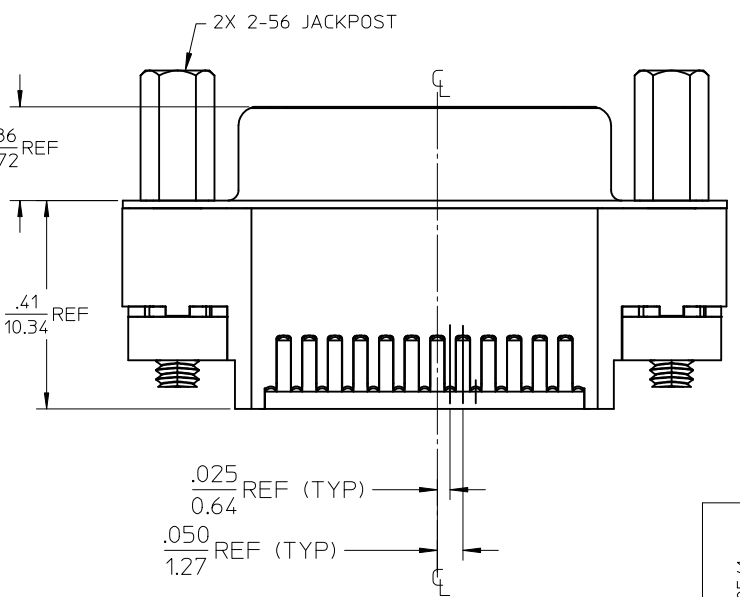
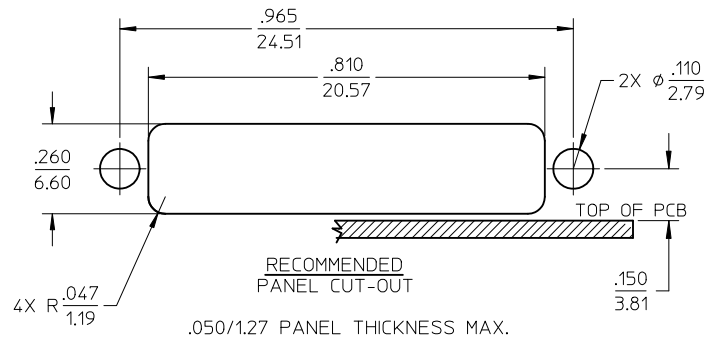
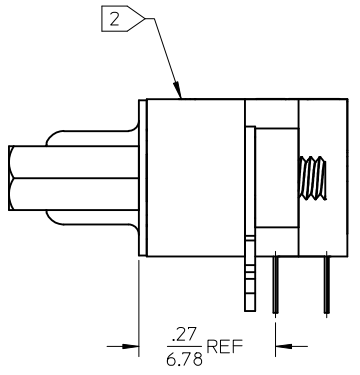
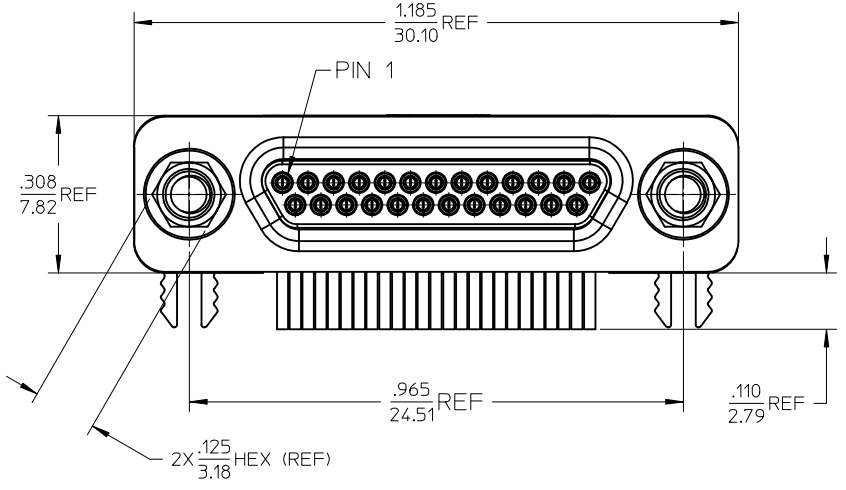


10 9 8 7 6 5 4 3 2 1

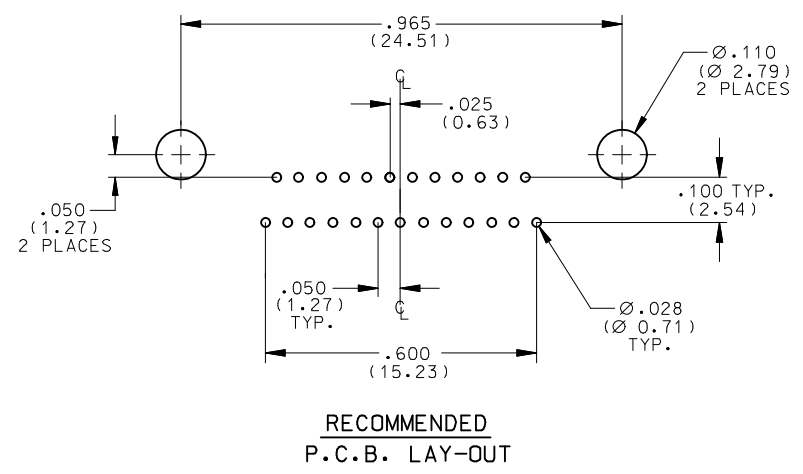
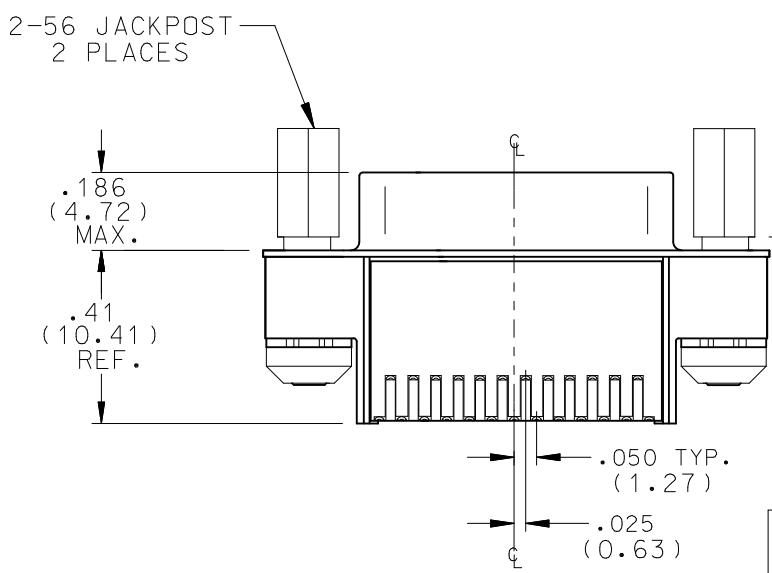
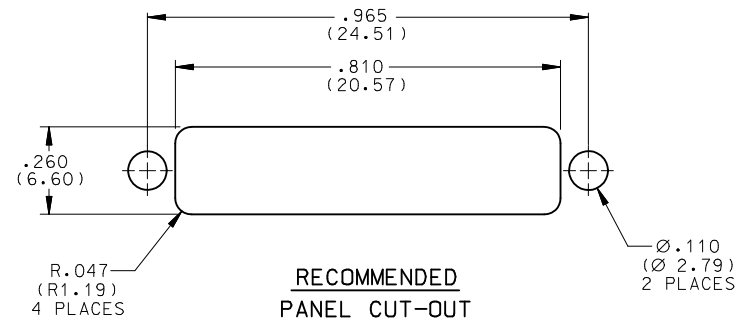
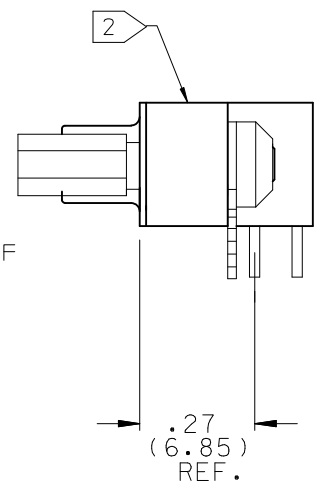
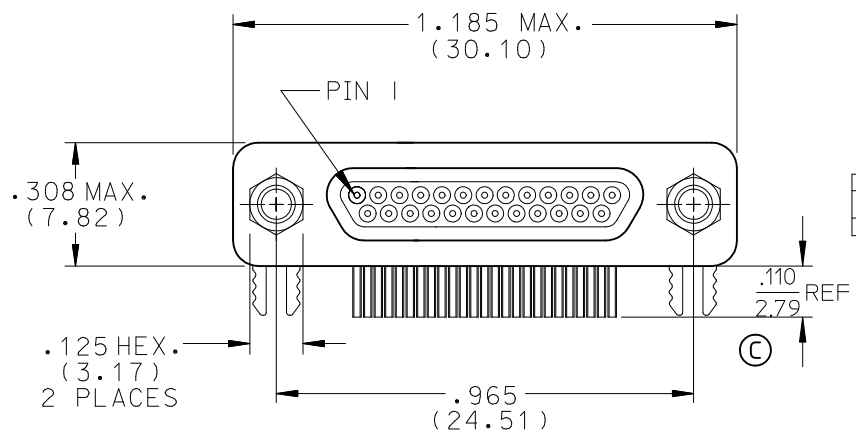


- NOTES:
 1. REFER TO PS-83421-9000 FOR PRODUCT SPEC.
 2. DATE CODE AREA.
 3. TORQUE JACKPOST TO 2.5 +1-0 IN/LBS
 4. ROHS COMPLIANT.

REDRAWN EC NO: WNA2011-0541 DRWN:BRUPERT CHKD: APPR: JFMURPHY 2011/05/09 2011/08/13	QUALITY SYMBOLS ▽=0 ◻=0	GENERAL TOLERANCES (UNLESS SPECIFIED)		DIMENSION STYLE IN/MM		SCALE 4:1	DESIGN UNITS INCH	THIRD ANGLE PROJECTION			
		4 PLACES ± --- ± ---	mm INCH	DRAWN BY AW	DATE 22/01/01	TITLE COMM-D, PLG, RT ANG SIZE 25					
		3 PLACES ± --- ± ---		CHECKED BY AW	DATE 22/01/01	MOLEX INCORPORATED					
		2 PLACES ± --- ± ---		APPROVED BY JFMURPHY		DATE 2011/08/13	MATERIAL NO. 836149018		DOCUMENT NO. SD-83614-9018	SHEET NO. 1 OF 1	
1 PLACE ± --- ± ---		ANGULAR ± ---°		DRAFT WHERE APPLICABLE MUST REMAIN WITHIN DIMENSIONS							
SIZE A3	THIS DRAWING CONTAINS INFORMATION THAT IS PROPRIETARY TO MOLEX INCORPORATED AND SHOULD NOT BE USED WITHOUT WRITTEN PERMISSION										

9 8 7 6 5 4 3 2 1

REV	DATE	ECN NO.	APPVD BY	REL BY
A	22JAN01	UM2001-0222		
B	01MAY01	UM2001-0284		



NOTES:
 1. REFER RO PS-83421-9000 FOR PRODUCT SPEC
 2. DATE CODE AREA.
 3. ROHS COMPLIANT

REV PIN LEN EC NO: WNA2010-0482 DRW:RUPERT 2010/02/09 CHK:RUPERT 2010/04/21 APPR:JMURPHY 2010/04/21	QUALITY SYMBOLS	GENERAL TOLERANCES (UNLESS SPECIFIED)	DIMENSION STYLE	SCALE	DESIGN UNITS	THIRD ANGLE PROJECTION
	▽=0	mm INCH	IN/MM	INCH	INCH	
	▽=0	4 PLACES ±--- ±---	DRAWN BY DATE	CKT CONN,COMM-D SIZE 25		
		3 PLACES ±--- ±---	AW 22/01/01	MATERIAL NO. 836149018		
	2 PLACES ±--- ±---	1 PLACE ±--- ±---	CHECKED BY DATE	DOCUMENT NO. SD-83614-9018		
	ANGULAR ±---°		AW 22/01/01	SHEET NO. 1 OF 1		
		DRAFT WHERE APPLICABLE MUST REMAIN WITHIN DIMENSIONS	THIS DRAWING CONTAINS INFORMATION THAT IS PROPRIETARY TO MOLEX INCORPORATED AND SHOULD NOT BE USED WITHOUT WRITTEN PERMISSION			