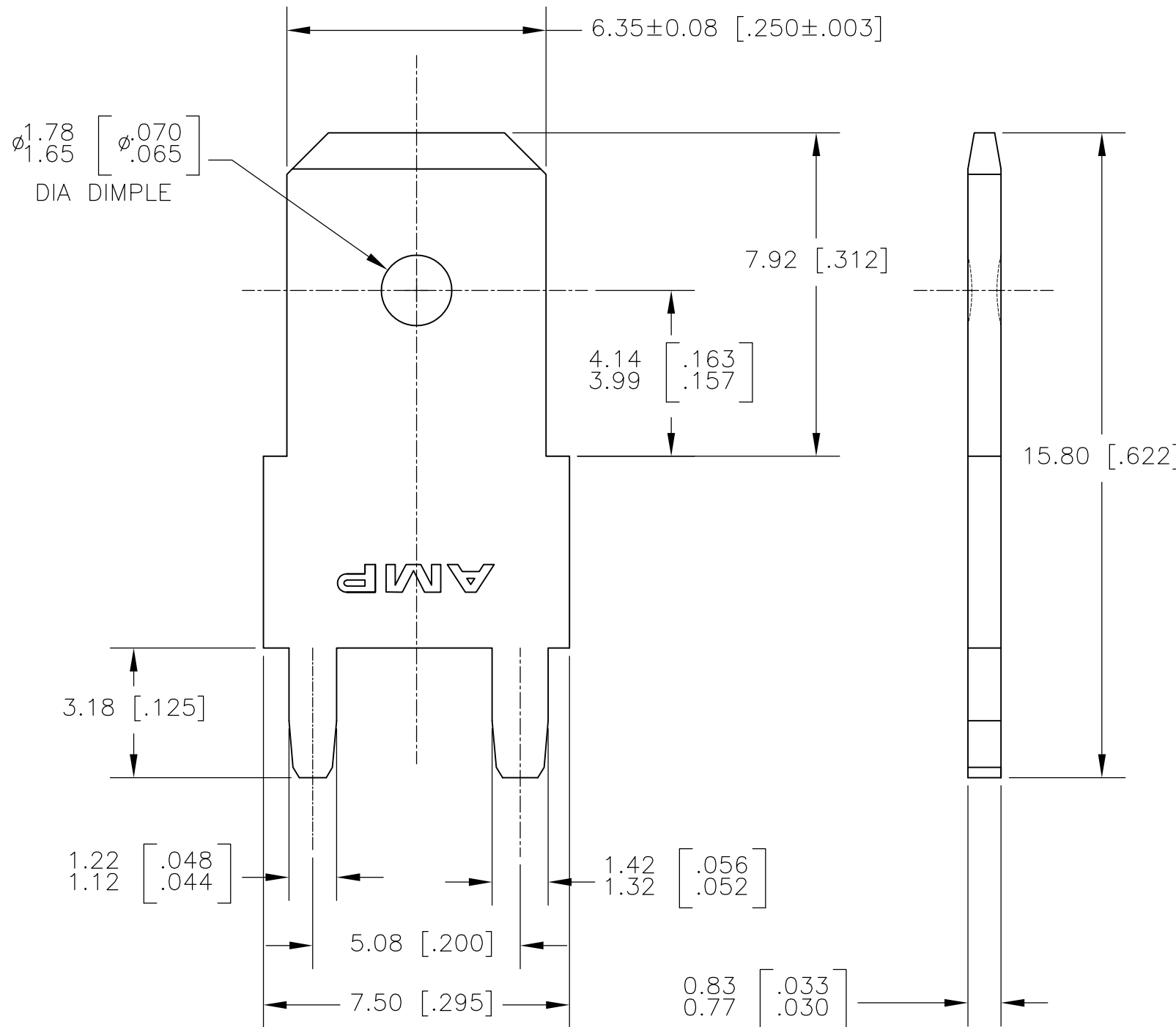


THIS DRAWING IS UNPUBLISHED. RELEASED FOR PUBLICATION  
 © COPYRIGHT - By - ALL RIGHTS RESERVED.

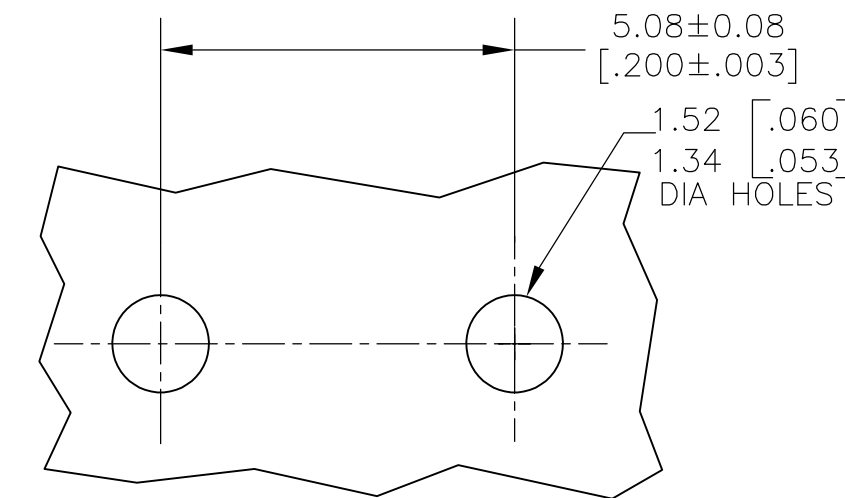
LOC	DIST	REVISIONS			
P	LTR	DESCRIPTION	DATE	DWN	APVD
AF	50	S	REVISED PER ECR-13-001204	19JUN13	KH PD

D

D



- 1 SUPPLIED IN LOOSE PIECE.
- 2 0.00381 [.000150] MIN TIN OVER  
0.00254 [.000100] MIN THK COPPER.
- 3 0.00381 [.000150] MIN SILVER OVER  
0.00254 [.000100] MIN THK COPPER.
- 4 SPECIAL PACKAGING QUANTITY
- 5 PRELIMINARY - NOT FOR PRODUCTION
- 6 0.00038 [.000015] MIN GOLD OVER  
0.00127 [.000050] MIN NICKEL.



P.C. BOARD HOLES  
SCALE 10:1

C

C

B

B

FINISH	PART NUMBER
2	9-62409-1
6	62409-4
3	62409-3
2	62409-1

A

A

THIS DRAWING IS A CONTROLLED DOCUMENT.		DWN JR RUTH 30NOV00	<b>TE</b> TE Connectivity	
DIMENSIONS: mm(INCHES)		CHK MS FEHER 30NOV00		
TOLERANCES UNLESS OTHERWISE SPECIFIED:		APVD G PORTA 30NOV00	NAME	
0 PLC ± -		PRODUCT SPEC	TAB, FASTON, PC BOARD, 6.35 [.250] SERIES	
1 PLC ± -		APPLICATION SPEC	SIZE	RESTRICTED TO
2 PLC ± 0.38 [.015]		WEIGHT -	A3 00779	C-62409
3 PLC ± -		CUSTOMER DRAWING	CAGE CODE	DRAWING NO
4 PLC ± -			A3 00779	C-62409
ANGLES ± -			SCALE 8:1	SHEET 1 of 1
MATERIAL BRASS	FINISH SEE TABLE		REV S	