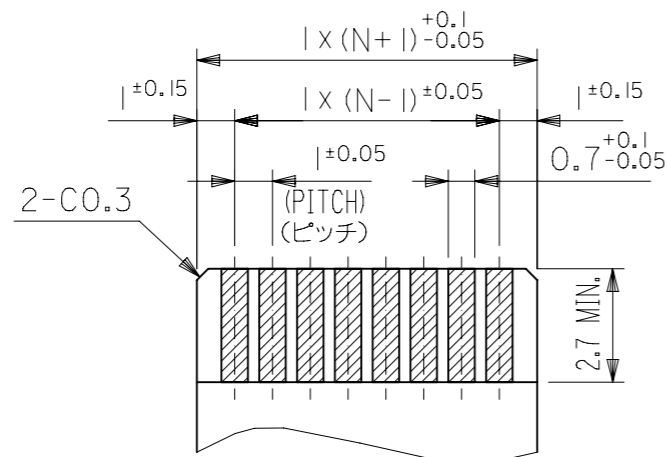
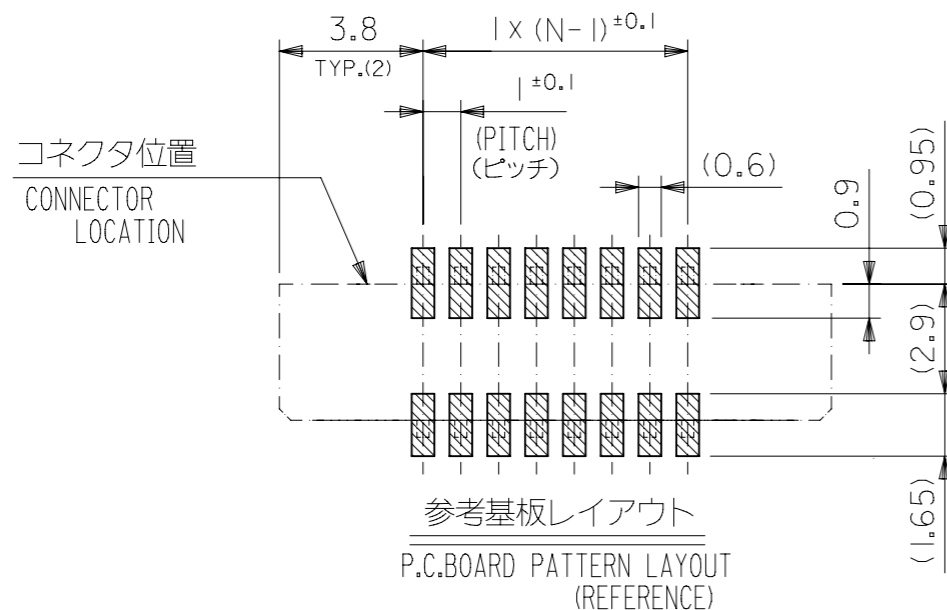


THIS DRAWING CONTAINS INFORMATION THAT IS PROPRIETARY TO MOLEX ELECTRONIC TECHNOLOGIES, LLC AND SHOULD NOT BE USED WITHOUT WRITTEN PERMISSION		CURRENT REV DESC:		molex	
DIMENSION UNITS	SCALE				
mm	NTS			1.0 FPC CONN ZIF FOR SMT (ST) WITH TAPE -LEAD FREE-	
GENERAL TOLERANCES (UNLESS SPECIFIED)				PRODUCT CUSTOMER DRAWING	
ANGULAR TOL ± 3.0°				DOCUMENT NUMBER	
4 PLACES ±		EC NO: 745355		SD-52610-034	
3 PLACES ±		DRWN: RAJMOK		DOC TYPE	
2 PLACES ±		CHK'D: HSHIMOYAMA		PSD	
1 PLACE ±		APPR: HSHIMOYAMA		DOC PART	
0 PLACES ±		INITIAL REVISION:		001	
		DRWN: HSHIMABUKURO		D	
		APPR: MSASAO		REVISION	
DRAFT WHERE APPLICABLE MUST REMAIN WITHIN DIMENSIONS		THIRD ANGLE PROJECTION	DRAWING	SERIES	MATERIAL NUMBER
			A3-SIZE	52610	SEE SHEET-2
				CUSTOMER	SHEET NUMBER
				GENERAL MARKET	1 OF 2

GENERAL TOLERANCES (UNLESS SPECIFIED)		
10 UNDER	±0.2	
10 OVER 30 UNDER	±0.25	
30 OVER	±0.3	



適合FPC推奨寸法
 APPLICABLE FPC RECOMMENDED DIM.
 仕上がり厚さ(THICKNESS): 0.3 ±0.05



注記(NOTES):

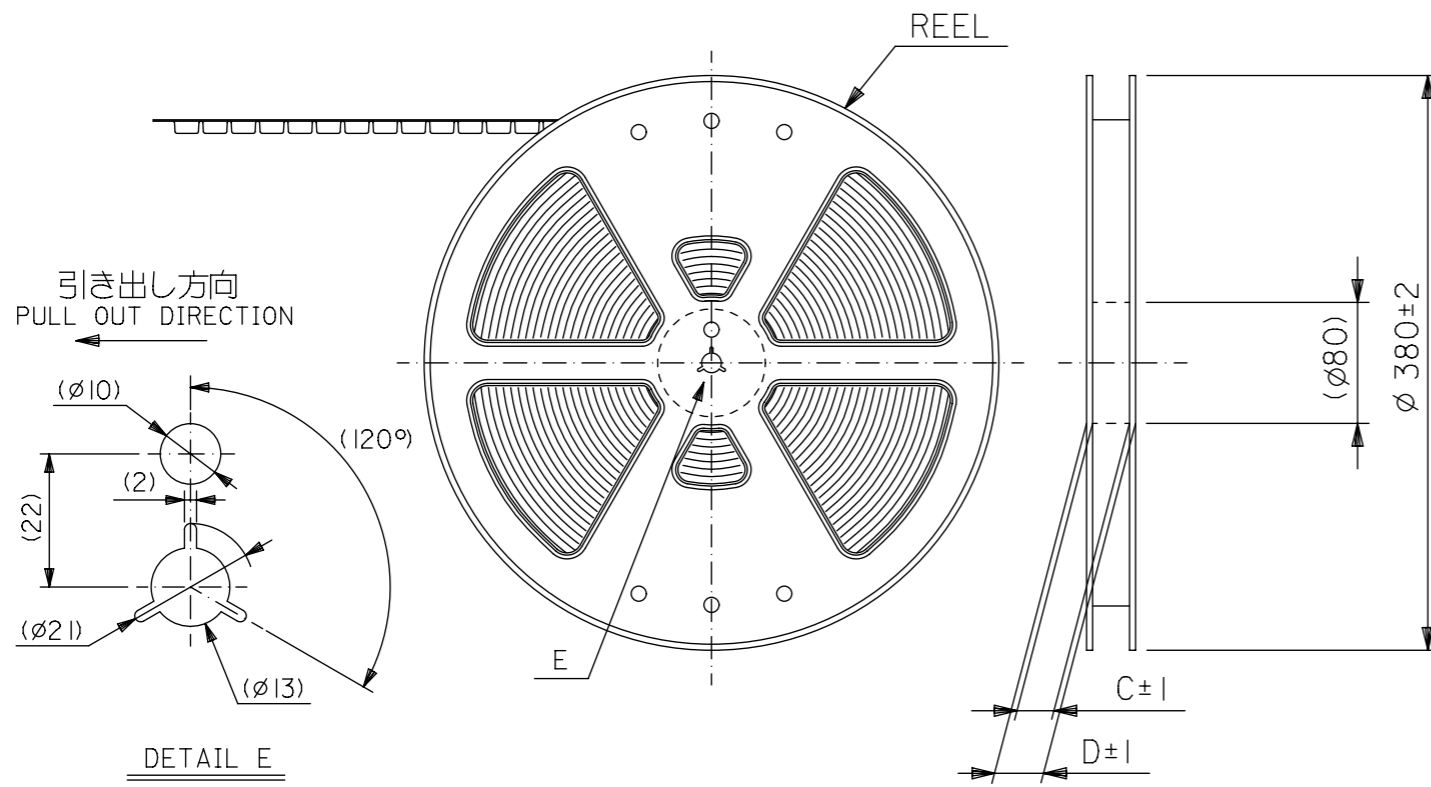
- 材料(MATERIAL)
 ハウジング(HOUSING): 46NYLON, UL94V-0
 アクチュエータ(ACTUATOR): PPS, UL94V-0
 ターミナル(TERMINAL): リン青銅、ニッケル下地、**錫-ビスマスメッキ** (t0.32)
 PHOS-BRO. **TIN-BISMUTH OVER NICKEL PLATED** (A)
- エンボステープ梱包時は、アクチュエータがロックした状態とする。
 IN THE PACKAGE, ACTUATOR OF PART NO. 52610-**59 SHOULD BE LOCKED.
- ⊠ ソルダータール半田付け面のズレ量は、基準面 [F] に対し上方向 0.05 MAX.,
 下方向 0.15 MAX.とする。
 MISALIGNMENT OF SOLDER TAILS FROM [F] UPPER DIRECTION : 0.05 MAX.,
 LOWER DIRECTION : 0.15 MAX.
- ⊠ 偶数極に適用。
 APPLY FOR EVEN CIRCUIT.
- 本製品は 52610-**57 の鉛フリー品である。
 THIS PRODUCT IS LEAD FREE OF 52610-**57

36.6	34.85	31.2	29	52610-3075	30
34.6	32.85	29.2	27	-2875	28
32.6	30.85	27.2	25	-2675	26
31.6	29.85	26.2	24	-2575	25
30.6	28.85	25.2	23	-2475	24
28.6	26.85	23.2	21	-2275	22
26.6	24.85	21.2	19	-2075	20
25.6	23.85	20.2	18	-1975	19
23.6	21.85	18.2	16	-1775	17
22.6	20.85	17.2	15	-1675	16
20.6	18.85	15.2	13	-1475	14
18.6	16.85	13.2	11	-1275	12
17.6	15.85	12.2	10	-1175	11
16.6	14.85	11.2	9	-1075	10
15.6	13.85	10.2	8	-0975	9
14.6	12.85	9.2	7	-0875	8
13.6	11.85	8.2	6	-0775	7
12.6	10.85	7.2	5	52610-0675	6
D	(C)	B	(A)	MATERIAL. NO.	CKT.

THIS DRAWING CONTAINS INFORMATION THAT IS PROPRIETARY TO MOLEX ELECTRONIC TECHNOLOGIES, LLC AND SHOULD NOT BE USED WITHOUT WRITTEN PERMISSION

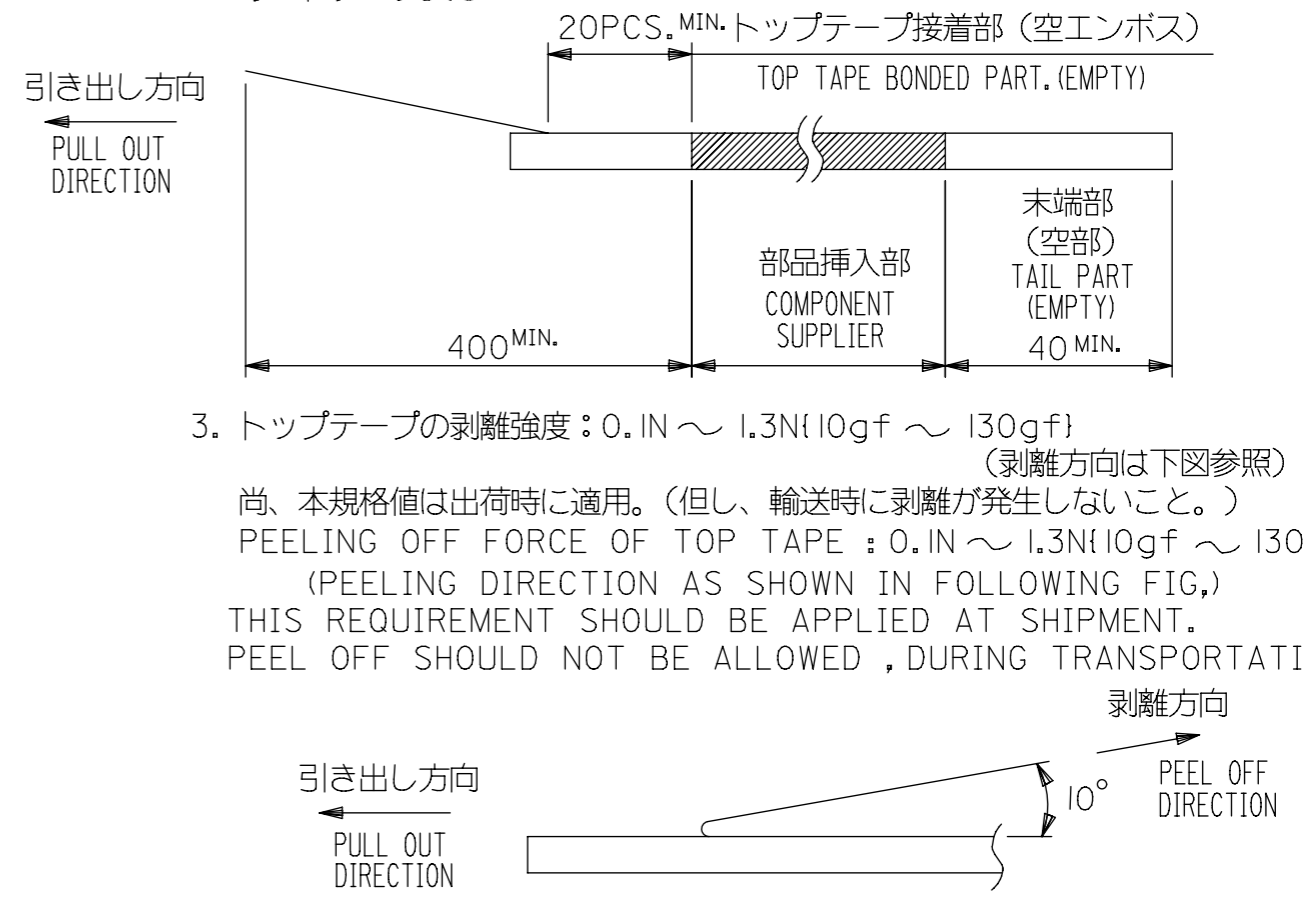
DIMENSION UNITS	SCALE	CURRENT REV DESC.	molex		
mm	NTS				
GENERAL TOLERANCES (UNLESS SPECIFIED)			1.0 FPC CONN ZIF FOR SMT (ST) WITH TAPE -LEAD FREE-		
ANGULAR TOL ± 3.0°			PRODUCT CUSTOMER DRAWING		
4 PLACES	±	EC NO: 745355	DOCUMENT NUMBER		
3 PLACES	±	DRWN: RAJMOK 2023/04/07	SD-52610-034		
2 PLACES	±	CHK'D: HSHIMOYAMA 2023/04/07	DOC TYPE DOC PART REVISION		
1 PLACE	±	APPR: HSHIMOYAMA 2023/04/07	PSD 001 D		
0 PLACES	±	INITIAL REVISION:	SHEET NUMBER		
DRAFT WHERE APPLICABLE MUST REMAIN WITHIN DIMENSIONS			2 OF 2		
THIRD ANGLE PROJECTION		DRAWING	SERIES	MATERIAL NUMBER	CUSTOMER
		A3-SIZE	52610	SEE TABLE	GENERAL MARKET

GENERAL TOLERANCES (UNLESS SPECIFIED)	
10 ^{UNDER}	±0.2
10 ^{OVER} 30 ^{UNDER}	±0.25
30 ^{OVER}	±0.3



NOTES

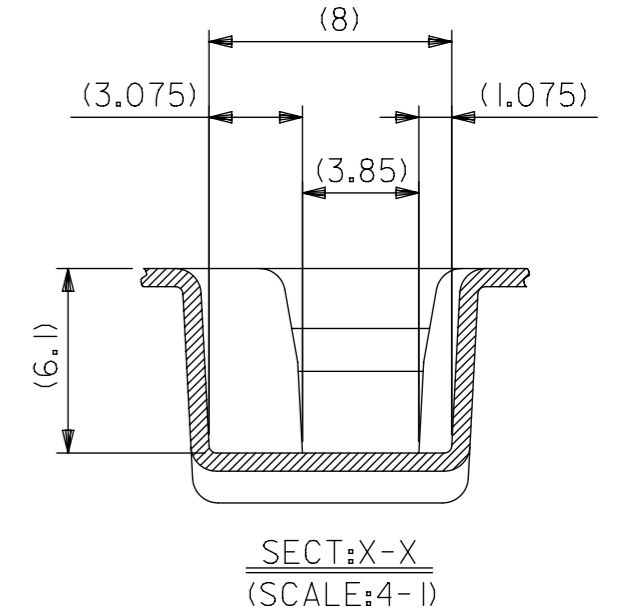
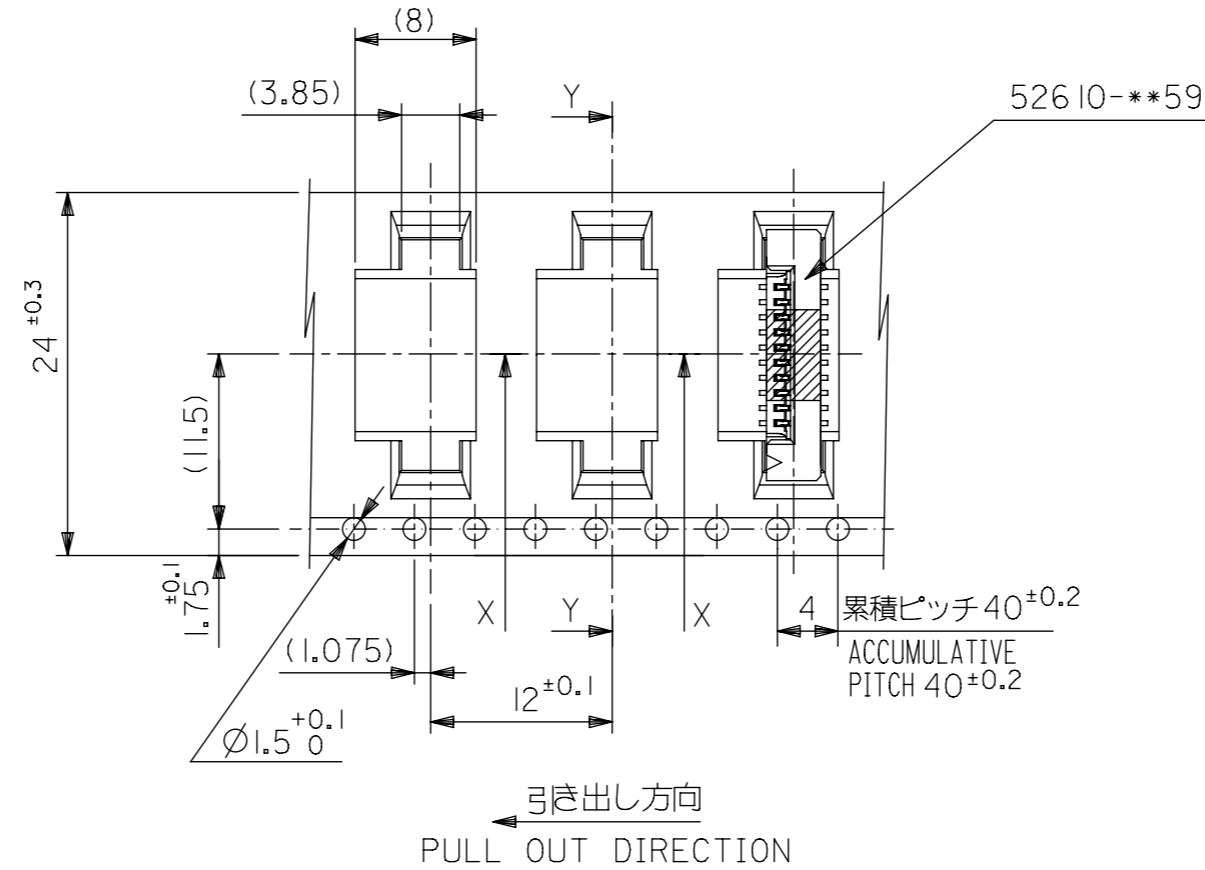
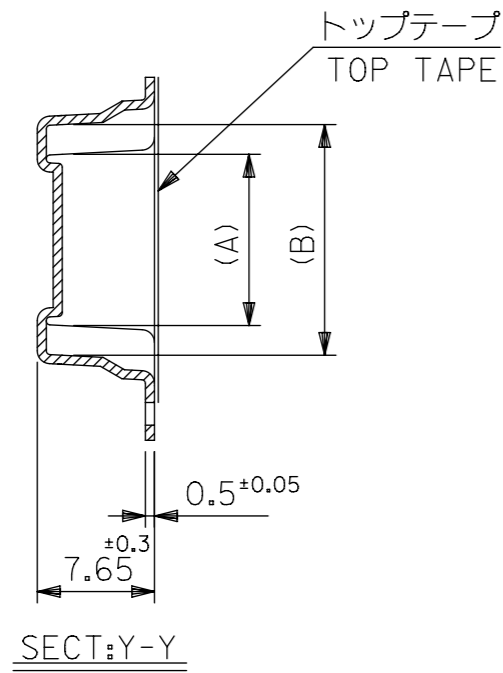
- 梱包数量：1000個/リール
NUMBER OF CONNECTORS : 1000PCS/REEL
- リードテープ長さ LEAD TAPE LENGTH
20PCS. MIN. トップテープ接着部 (空エンボス)
TOP TAPE BONDED PART. (EMPTY)
部品挿入部
COMPONENT SUPPLIER
末端部 (空部)
TAIL PART (EMPTY)
40 MIN.
- トップテープの剥離強度：0.1N ~ 1.3N (10gf ~ 130gf)
(剥離方向は下図参照)
尚、本規格値は出荷時に適用。(但し、輸送時に剥離が発生しないこと。)
PEELING OFF FORCE OF TOP TAPE : 0.1N ~ 1.3N (10gf ~ 130gf)
(PEELING DIRECTION AS SHOWN IN FOLLOWING FIG.)
THIS REQUIREMENT SHOULD BE APPLIED AT SHIPMENT.
PEEL OFF SHOULD NOT BE ALLOWED, DURING TRANSPORTATION.
- 52610-***59のアクチュエータはハウジング内に押し下げた状態とする。
詳細寸法については **製品単体図面を参照下さい。**
ACTUATOR OF PART NO. 52610-***59 SHOULD BE LOCKED.
FOR DETAIL OF CONNECTOR DIMENSIONS, PLEASE SEE THE DRAWING OF ITSELF.
- 材料 (MATERIAL)
キャリアテープ (CARRIER TAPE) : ポリプロピレン (POLYPROPYLENE)
トップテープ (TOPTAPE) : PET, PE, PEF
リール (REEL) : ポリスチレン (PS) <リサイクル材を含む>
POLYSTYRENE (PS) <RECYCLE MATERIAL CONTAINED>
- 本製品は 52610-***94 の鉛フリー品である。
THIS PRODUCT IS LEAD FREE OF 52610-***94
- 本製品は乾燥剤入り、ハイバリア梱包仕様である。
THIS PRODUCT IS HIGH BARRIER PACKAGE WITH DESICCANT.



52610-***75 MODEL NO.

THIS DRAWING CONTAINS INFORMATION THAT IS PROPRIETARY TO MOLEX ELECTRONIC TECHNOLOGIES, LLC AND SHOULD NOT BE USED WITHOUT WRITTEN PERMISSION		CURRENT REV DESC:		molex	
DIMENSION UNITS	SCALE				
mm	NTS			1.0 FPC CONN SMT ZIF WITH TAPE EMBSTP PKG -LEAD FREE-	
GENERAL TOLERANCES (UNLESS SPECIFIED)		EC NO: 719890		PRODUCT CUSTOMER DRAWING	
ANGULAR TOL ± °		DRWN: NARENC 2022/08/26		DOCUMENT NUMBER	
4 PLACES ±		CHK'D: SMARUYAMA 2022/09/05		DOC TYPE	
3 PLACES ±		APPR: YNAITO 2022/09/05		DOC PART	
2 PLACES ±		INITIAL REVISION:		REVISION	
1 PLACE ±		DRWN: HSHIMABUKURO 2004/03/30		SD-52610-035	
0 PLACES ±		APPR: MSASAO 2004/04/01		PSD 001 C	
DRAFT WHERE APPLICABLE MUST REMAIN WITHIN DIMENSIONS		THIRD ANGLE PROJECTION	DRAWING	SERIES	MATERIAL NUMBER
			A3-SIZE	52610	SEE TABLE
					CUSTOMER
					GENERAL MARKET
					SHEET NUMBER
					1 OF 5

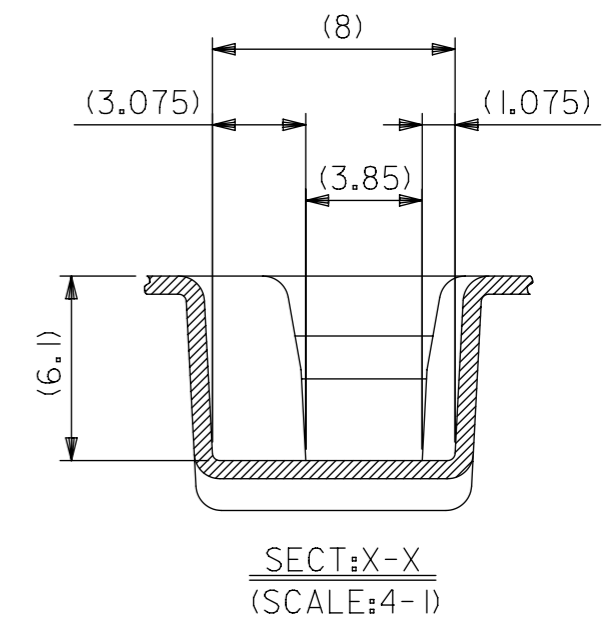
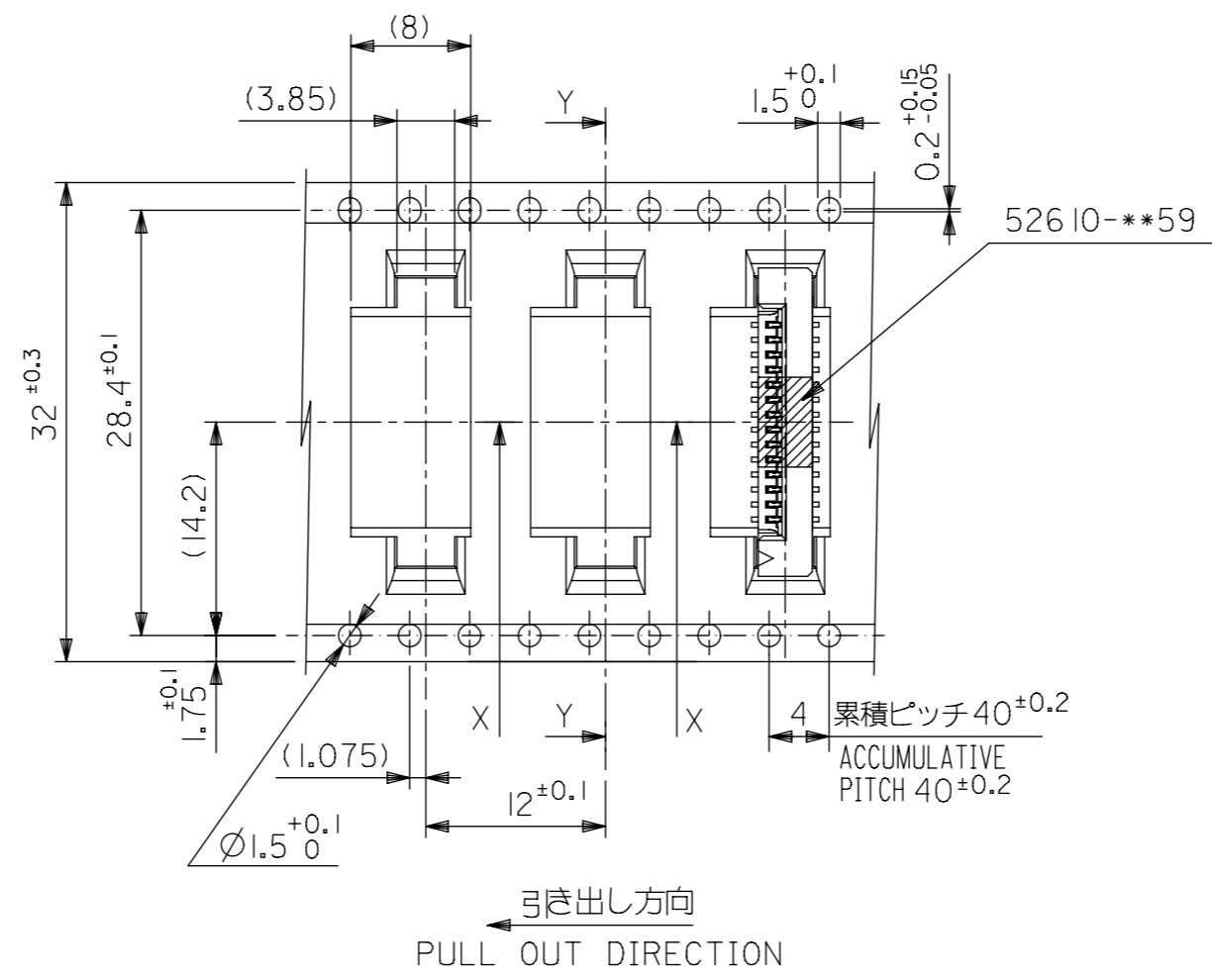
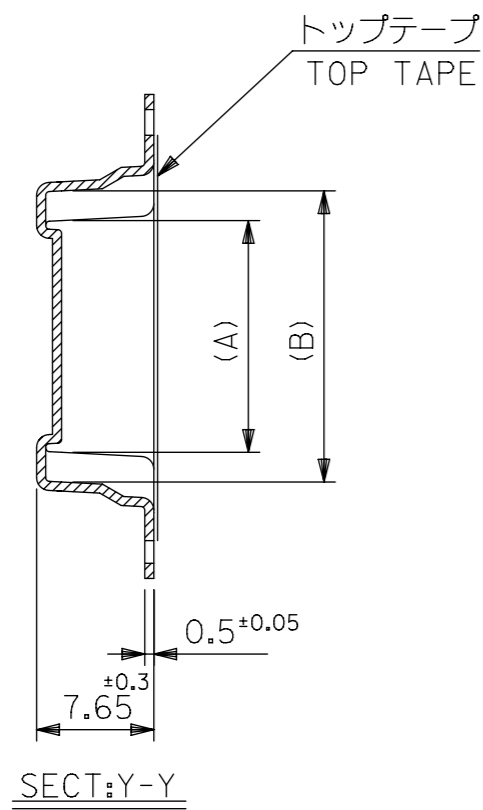
GENERAL TOLERANCES (UNLESS SPECIFIED)	
10 ^{UNDER}	±0.2
10 ^{OVER} 30 ^{UNDER}	±0.25
30 ^{OVER}	±0.3
ANGULAR	±3°



24	29.4	25.4	15.25	11.32	526 10-1075	10	
			14.25	10.32	526 10-0975	9	
			13.25	9.32	526 10-0875	8	
			12.25	8.32	526 10-0775	7	
			11.25	7.32	526 10-0675	6	
526 10-***75	キャリアテープ幅 CARRIER TAPE WIDTH	D	C	(B)	(A)	MATERIAL. NO.	極数 CKT.

THIS DRAWING CONTAINS INFORMATION THAT IS PROPRIETARY TO MOLEX ELECTRONIC TECHNOLOGIES, LLC AND SHOULD NOT BE USED WITHOUT WRITTEN PERMISSION		CURRENT REV DESC:		molex			
DIMENSION UNITS	SCALE	EC NO: 719890					
mm	NTS	DRWN: NARENC		PRODUCT CUSTOMER DRAWING			
GENERAL TOLERANCES (UNLESS SPECIFIED)		CHK'D: SMARUYAMA		DOCUMENT NUMBER			
ANGULAR TOL ± °		APPR: YNAITO		SD-52610-035		DOC TYPE DOC PART REVISION	
4 PLACES ±		INITIAL REVISION:		PSD		001 C	
3 PLACES ±		DRWN: HSHIMABUKURO		SERIES		SHEET NUMBER	
2 PLACES ±		APPR: MSASAO		A3-SIZE		2 OF 5	
1 PLACE ±		DRAFT WHERE APPLICABLE MUST REMAIN WITHIN DIMENSIONS		52610		MATERIAL NUMBER CUSTOMER	
0 PLACES ±		THIRD ANGLE PROJECTION		SEE TABLE		GENERAL MARKET	

GENERAL TOLERANCES (UNLESS SPECIFIED)	
10 ^{UNDER}	±0.2
10 ^{OVER} 30 ^{UNDER}	±0.25
30 ^{OVER}	±0.3
ANGULAR	±3 °

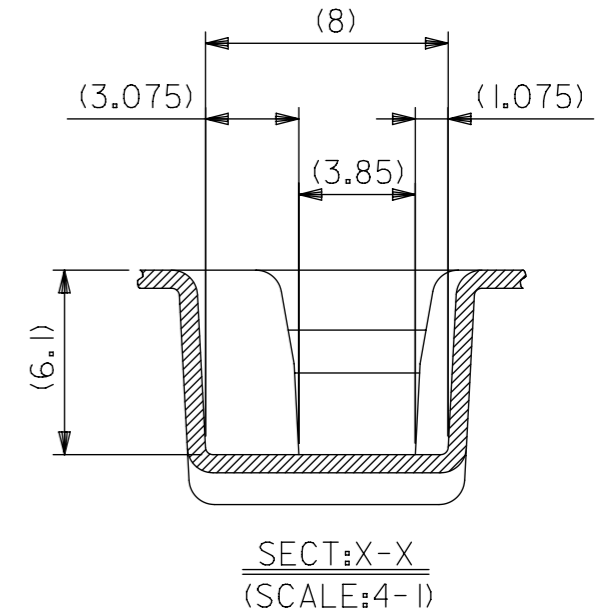
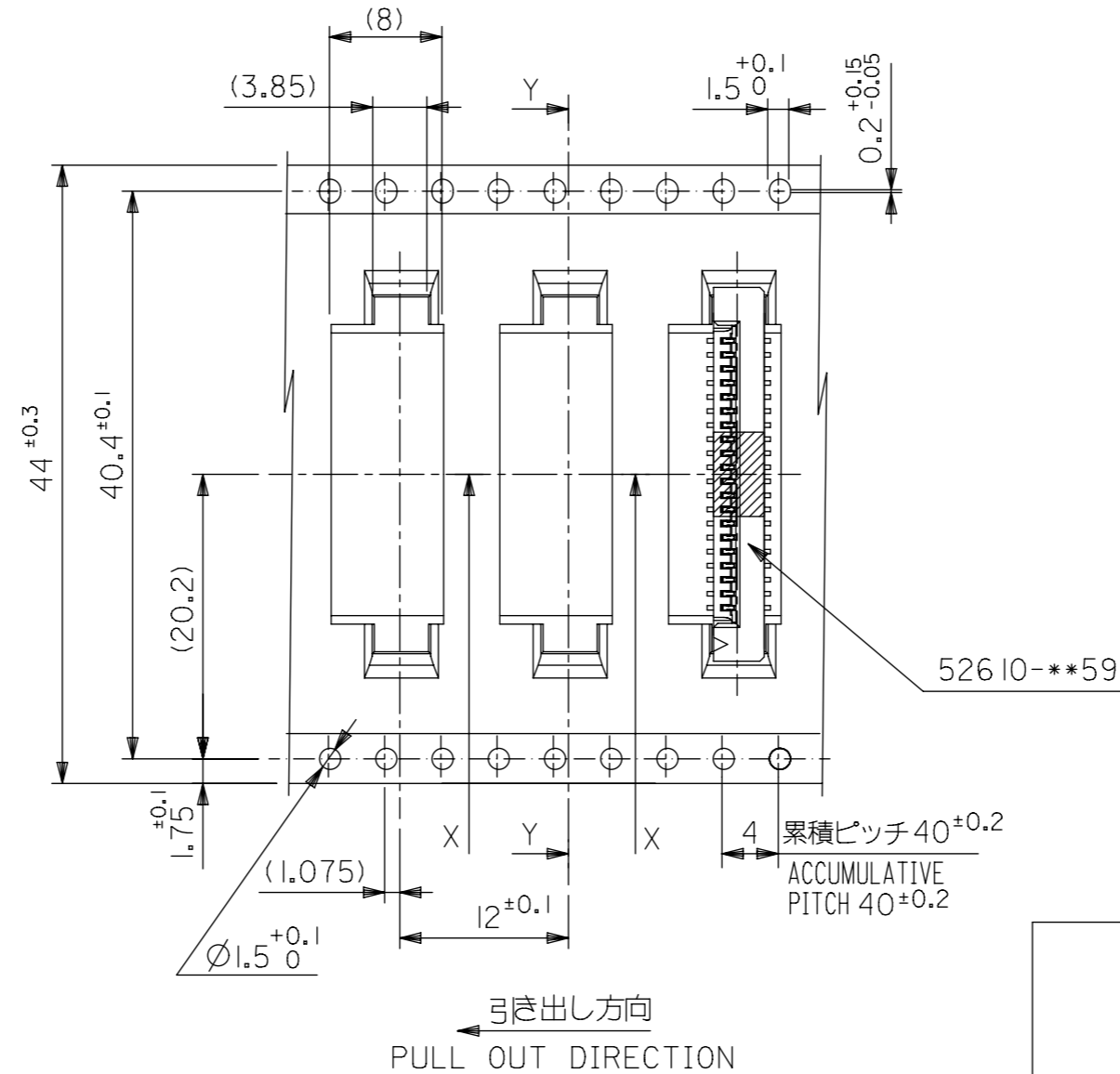
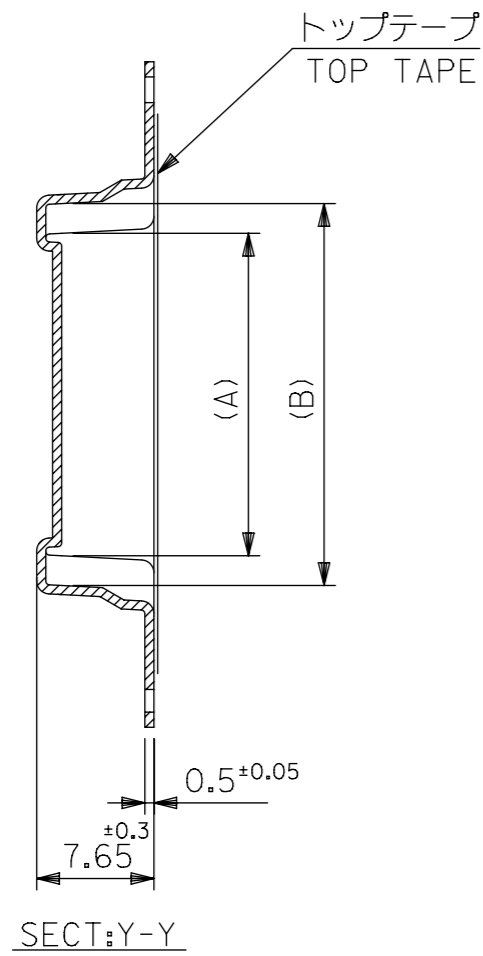


526 10-**-75 MODEL NO.	32	37.4	33.4	19.25	15.32	526 10-1475	14	
				17.25	13.32	526 10-1275	12	
				16.25	12.32	526 10-1175	11	
	キャリアテープ幅 CARRIER TAPE WIDTH		D	C	(B)	(A)	MATERIAL. NO.	極数 CKT.

THIS DRAWING CONTAINS INFORMATION THAT IS PROPRIETARY TO MOLEX ELECTRONIC TECHNOLOGIES, LLC AND SHOULD NOT BE USED WITHOUT WRITTEN PERMISSION

DIMENSION UNITS		SCALE		CURRENT REV DESC:			
mm		NTS					
GENERAL TOLERANCES (UNLESS SPECIFIED)				<p>molex</p> <p>1.0 FPC CONN SMT ZIF WITH TAPE EMBSTP PKG -LEAD FREE-</p> <p>PRODUCT CUSTOMER DRAWING</p> <p>DOCUMENT NUMBER: SD-52610-035 DOC TYPE: PSD DOC PART: 001 REVISION: C</p> <p>MATERIAL NUMBER: SEE TABLE CUSTOMER: GENERAL MARKET SHEET NUMBER: 3 OF 5</p>			
ANGULAR TOL ± °							
4 PLACES ±							
3 PLACES ±							
2 PLACES ±							
1 PLACE ±							
0 PLACES ±				<p>EC NO: 719890</p> <p>DRWN: NARENC 2022/08/26</p> <p>CHK'D: SMARUYAMA 2022/09/05</p> <p>APPR: YNAITO 2022/09/05</p> <p>INITIAL REVISION:</p> <p>DRWN: HSHIMABUKURO 2004/03/30</p> <p>APPR: MSASAO 2004/04/01</p>			
DRAFT WHERE APPLICABLE MUST REMAIN WITHIN DIMENSIONS		THIRD ANGLE PROJECTION		DRAWING		SERIES	
				A3-SIZE		52610	

GENERAL TOLERANCES (UNLESS SPECIFIED)	
10 ^{UNDER}	±0.2
10 ^{OVER} 30 ^{UNDER}	±0.25
30 ^{OVER}	±0.3
ANGULAR	±3 °



44	49.4	45.4	31.25	27.32	52610-2675	26	
			30.25	26.32	52610-2575	25	
			29.25	25.32	52610-2475	24	
			27.25	23.32	52610-2275	22	
			25.25	21.32	52610-2075	20	
			24.25	20.32	52610-1975	19	
			22.25	18.32	52610-1775	17	
			21.25	17.32	52610-1675	16	
52610-***75	キャリアテープ幅 CARRIER TAPE WIDTH	D	C	(B)	(A)	MATERIAL. NO.	極数 CKT.

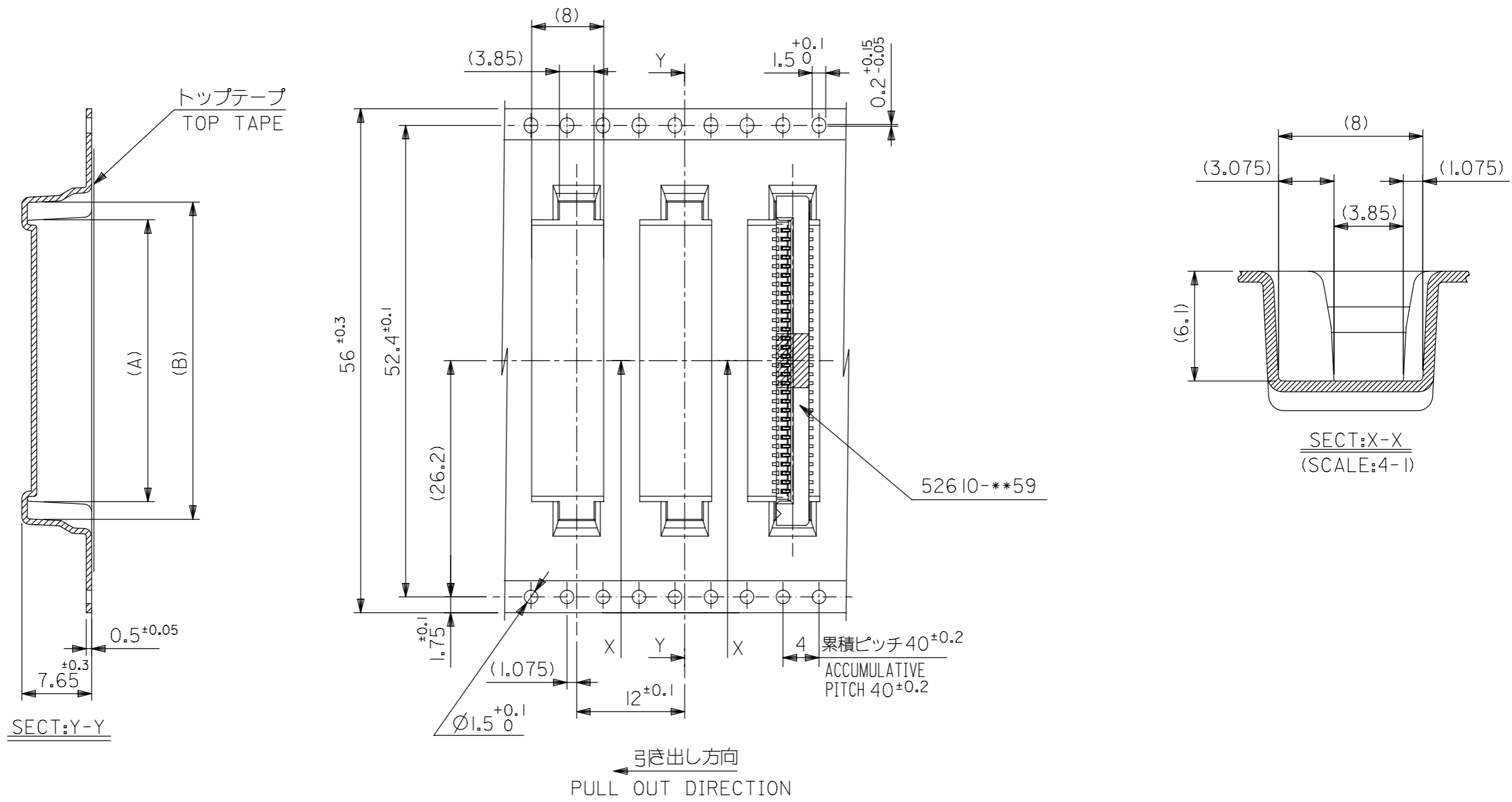
THIS DRAWING CONTAINS INFORMATION THAT IS PROPRIETARY TO MOLEX ELECTRONIC TECHNOLOGIES, LLC AND SHOULD NOT BE USED WITHOUT WRITTEN PERMISSION

DIMENSION UNITS mm	SCALE NTS	CURRENT REV DESC:	
GENERAL TOLERANCES (UNLESS SPECIFIED)		EC NO: 719890	
ANGULAR TOL	± °	DRWN: NARENC	2022/08/26
4 PLACES	±	CHK'D: SMARUYAMA	2022/09/05
3 PLACES	±	APPR: YNAITO	2022/09/05
2 PLACES	±	INITIAL REVISION:	
1 PLACE	±	DRWN: HSHIMABUKURO	2004/03/30
0 PLACES	±	APPR: MSASAO	2004/04/01
DRAFT WHERE APPLICABLE MUST REMAIN WITHIN DIMENSIONS	THIRD ANGLE PROJECTION	DRAWING A3-SIZE	SERIES 52610
		MATERIAL NUMBER SEE TABLE	CUSTOMER GENERAL MARKET
		DOCUMENT NUMBER SD-52610-035	DOC TYPE PSD
		DOC PART 001	REVISION C
		SHEET NUMBER 4 OF 5	

GENERAL TOLERANCES (UNLESS SPECIFIED)

10 ^{UNDER}	±0.2
10 ^{OVER} 30 ^{UNDER}	±0.25
30 ^{OVER}	±0.3
ANGULAR	±3 °

PRODUCT CUSTOMER DRAWING



52610-**75 MODEL.NO.	56	61.4	57.4	35.25	31.32	52610-3075	30
				33.25	29.32	52610-2875	28
	キャリアテープ幅 CARRIER TAPE WIDTH			D	C	(B)	(A)
						MATERIAL.NO.	極数 CKT.

THIS DRAWING CONTAINS INFORMATION THAT IS PROPRIETARY TO MOLEX ELECTRONIC TECHNOLOGIES, LLC AND SHOULD NOT BE USED WITHOUT WRITTEN PERMISSION		CURRENT REV DESC:		molex			
DIMENSION UNITS	SCALE	EC NO: 719890					
mm	NTS	DRWN: NARENC 2022/08/26		PRODUCT CUSTOMER DRAWING			
GENERAL TOLERANCES (UNLESS SPECIFIED)		CHK'D: SMARUYAMA 2022/09/05		DOCUMENT NUMBER			
ANGULAR TOL ± °		APPR: YNAITO 2022/09/05		SD-52610-035		DOC TYPE	DOC PART
4 PLACES ±		INITIAL REVISION:		PSD		001	REVISION
3 PLACES ±		DRWN: HSHIMABUKURO 2004/03/30		C			
2 PLACES ±		APPR: MSASAO 2004/04/01		MATERIAL NUMBER		CUSTOMER	
1 PLACE ±		DRAFT WHERE APPLICABLE MUST REMAIN WITHIN DIMENSIONS		SEE TABLE		GENERAL MARKET	
0 PLACES ±		THIRD ANGLE PROJECTION	DRAWING	SERIES	SHEET NUMBER		
			A3-SIZE	52610	5 OF 5		