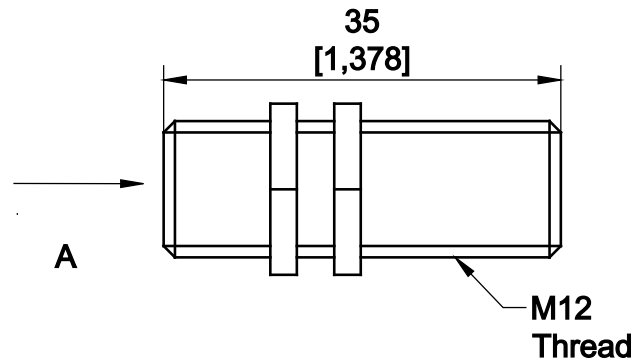


**M12 Threaded Magnet**  
**Part Number : PTSM**  
**Product Data Sheet**

**PICTURE**



**DIMENSIONS**



✓ **RoHS Compliant**

Drawings not to scale  
 All dimensions in mm nominal

**SPECIFICATION**

Length	35mm
Thread	M12
Fixing nuts Size	16mm A/F
Gauss strength at surface (directon A)	750
Material	Brass, Bright Nickel plated

**Applications Include**

- Position and limit sensing.
- Linear actuators.
- Security system switch.
- Automated machinery.

**Options**

- Plastic version available
- If you do not see what you need, jusk ask, as there is a strong possibility we can do it !

**Did you know we also sell?**



**Rev. No.**

**Revision Note**

**Date**

**Signature**

1

Datasheet

28-02-12

ML



ISO 9001:2008  
 Certificate No. FM21080

As part of the company policy of continued product improvement, specifications may change without notice. Our sales office will be pleased to help you with the latest information on this product range and the details of our full design and manufacturing service. All products are supplied to our standard conditions of sale unless otherwise agreed in writing.

Phone : +44 (0)1255 862236

www.assemtech.co.uk

Fax: +44 (0)1255 862014

©2012 Copyright Assemtech Europe Ltd, Unit 7, Rice Bridge Industrial Estate, Thorpe - Le - Soken, Essex, CO16 0HL, ENGLAND.