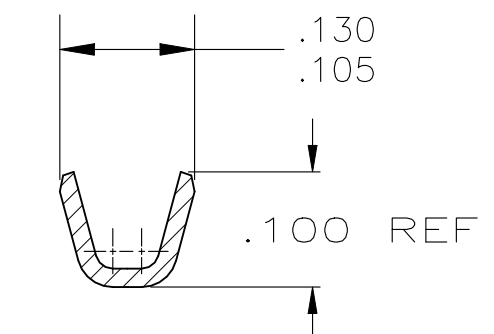
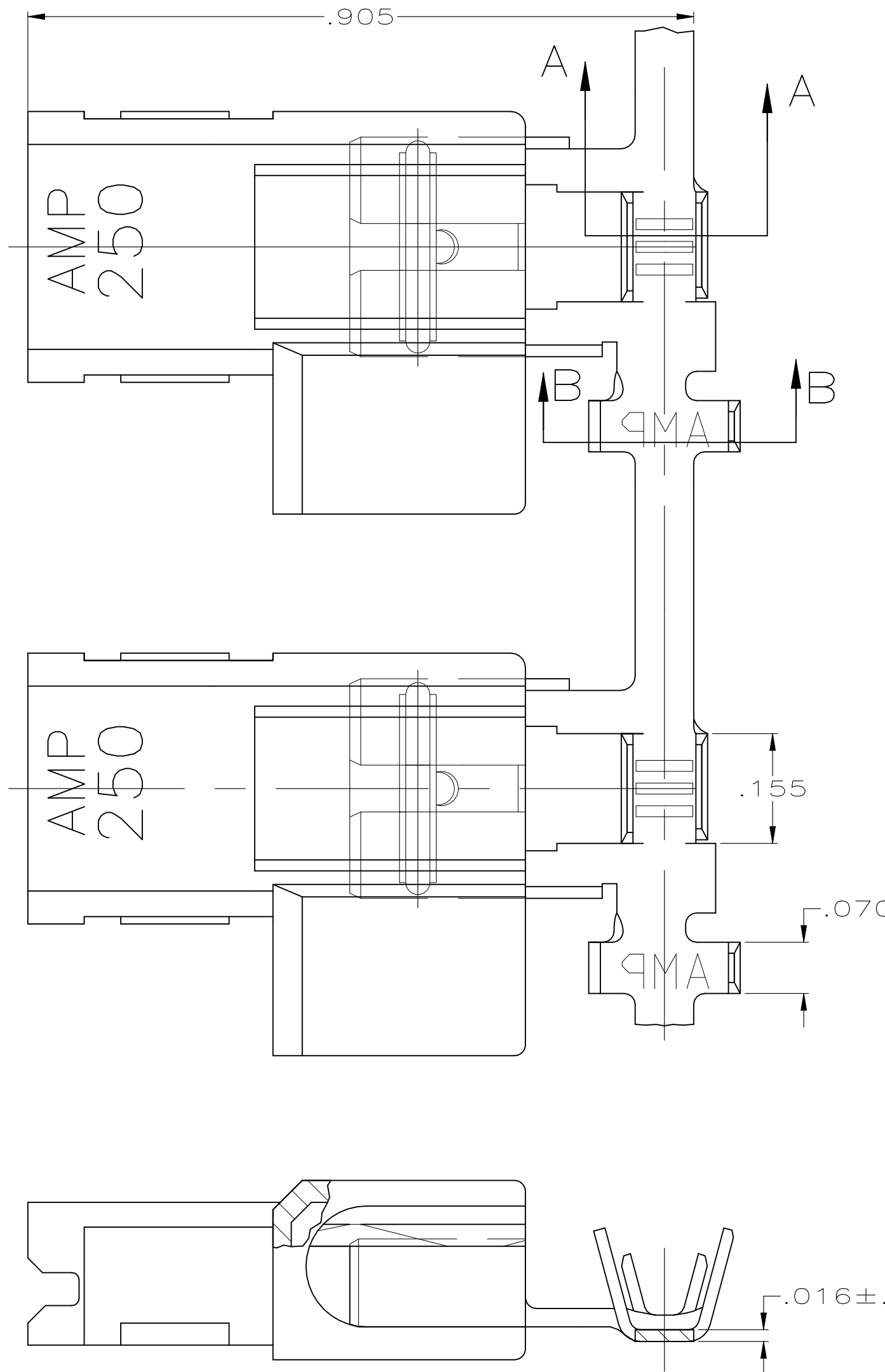
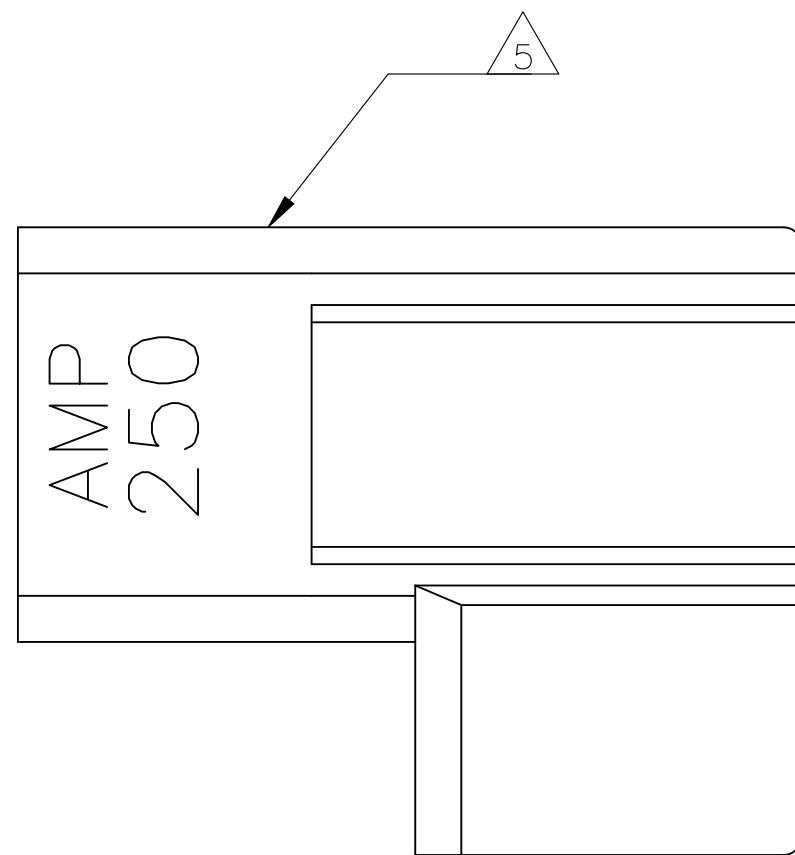
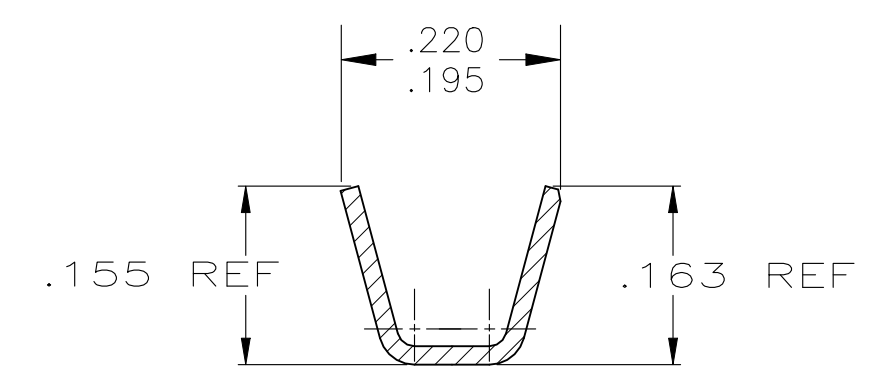


REVISIONS					
P	LTR	DESCRIPTION	DATE	DWN	APVD
H3		REVISED PER ECR-22-139600	30NOV2022	DB	FF

- 1 USE BUDGET FLAG FASTON TERMINAL BASE P/N 521049, IN THIS PRODUCT.
- 2 WIRE SIZE IS #22-#18 AWG
- 3 INSULATION RANGE IS .050-.100 DIA
- 4 FITS .250 X .032 THK FASTON TAB
- 5 ALTERNATIVE HOUSING FORM



SECTION A-A



SECTION B-B

6/6 NYLON / NATURAL		BRASS - TIN PLATED	521050-2	
SUPERSEDED BY 521050-2		6/6 NYLON / NATURAL	BRASS - PLAIN	
HOUSING - MATERIAL & FINISH		TERMINAL - MATERIAL & FINISH	PART NO	
THIS DRAWING IS A CONTROLLED DOCUMENT.		DWN JR RUTH 7/8/93		
DIMENSIONS: INCHES		CHK MS FEHER 7/8/93		
TOLERANCES UNLESS OTHERWISE SPECIFIED:		APVD D BRATINA 7/8/93	NAME	
0 PLC ± -		PRODUCT SPEC	ASSEMBLY, RECEPTACLE, FLAG, ULTRA-POD, .250 SERIES	
1 PLC ± -		108-1285	SIZE	
2 PLC ± -		APPLICATION SPEC	CAGE CODE	
3 PLC ± 0.25 [.010]		114-2124	DRAWING NO	
4 PLC ± -		WEIGHT	RESTRICTED TO	
ANGLES ± -		0.000000	-	
FINISH		CUSTOMER DRAWING	SCALE	
SEE TABLE		SEE TABLE	6:1	
			SHEET	
			1 OF 1	
			REV	
			H3	