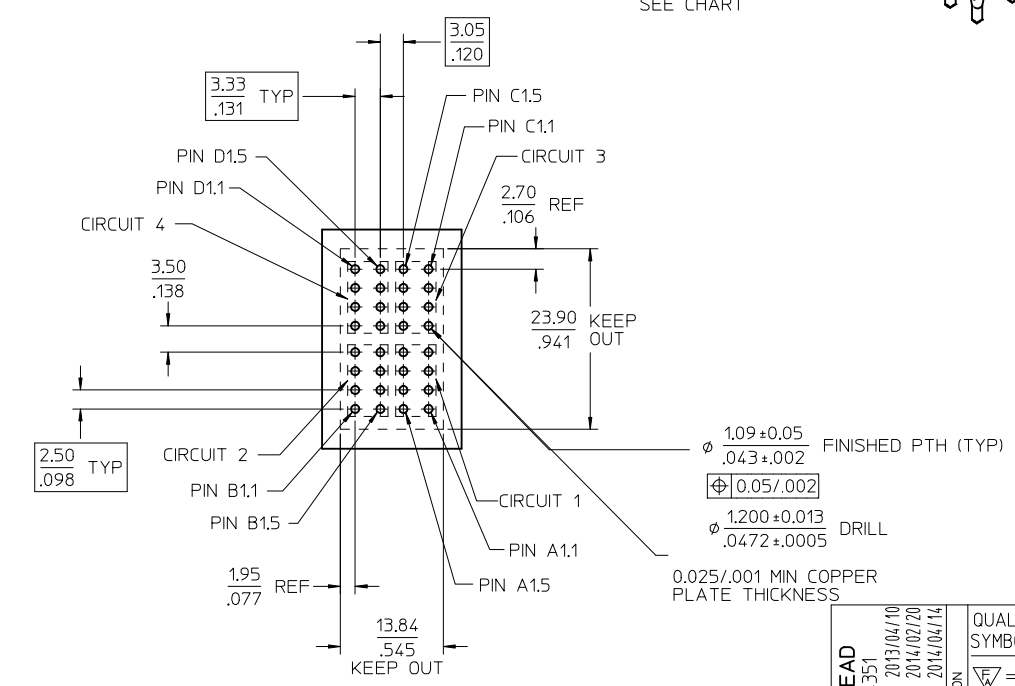
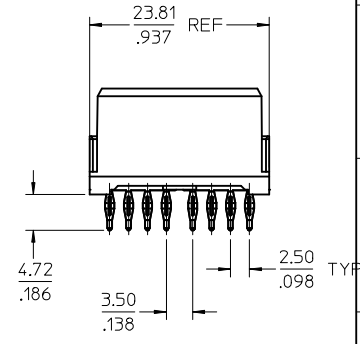
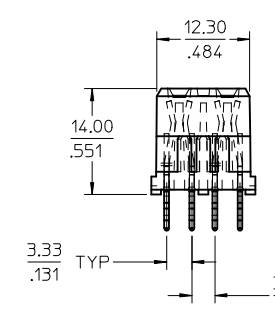
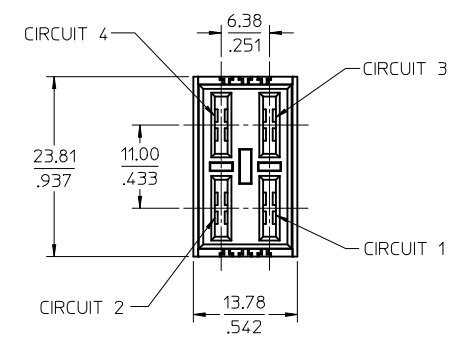
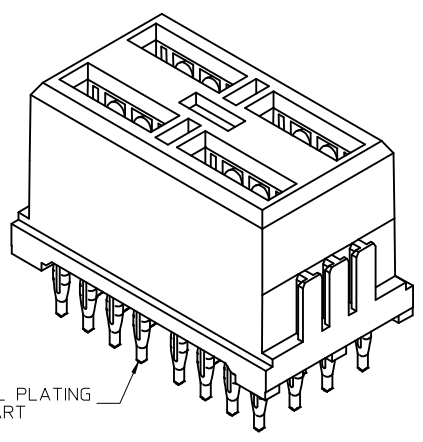
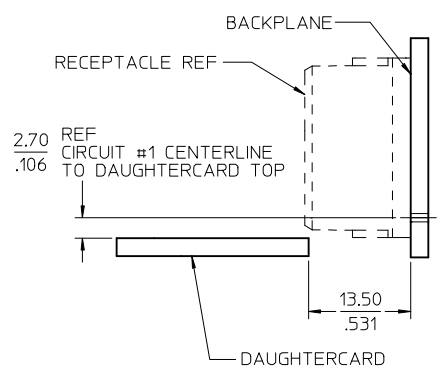


13	12	11	10	9	8	7	6	5	4	3	2	1
PART NUMBER	TAIL PLATING	TAIL VERSION	PLATING									
46079-1000	TIN	PRESS FIT	0.75µm/30µm MIN SELECT HARD GOLD IN CONTACT AREA WITH 2.50µm/100µm MIN SELECT TIN IN TAIL AREA OVER 1.25µm/50µm MIN NICKEL OVERALL									

NOTES:

- MATERIALS:
  - HOUSING: 30% GLASS FILLED, LCP 94V-0, COLOR BLACK
  - TERMINALS: COPPER ALLOY
 PLATING:
  - SEE CHART
 LUBRICATION: EB1 IN CONTACT AREA
- PLUG MATES WITH PLUG ASSEMBLY 46081-\*\*\*\*
- MODULE IS DESIGNED FOR PRESS FIT TO THE PCB
- MODULE ASSEMBLY IS RoHS COMPLIANT
- MODULES TO BE UL & CSA LISTED PER UL-1977
- AVERAGE INSERTION FORCE INTO PCB IS 8.2 kg/18 lbs PER TAIL
- PRODUCT PERFORMANCE AND RATING PER PS-75431-\*\*\*\*
- APPLICATION SPEC PER AS-75541-\*\*\*\*
- RECOMMENDED PCB DRILL HOLE DIA 1.180/0.0465 (#56 DRILL)
- FOR MODULE CONFIGURATION SEE DRAWING SD-75541-001



PCB LAYOUT  
2.40/.094 MIN THICK

REV	REMOVE TIN/LEAD	QUALITY SYMBOLS	GENERAL TOLERANCES (UNLESS SPECIFIED)	DIMENSION STYLE	SCALE	DESIGN UNITS	THIRD ANGLE PROJECTION
	EC NO: UCP2013-4351	▽=0	mm INCH	MM/IN	2:1	METRIC	
DRWN:RWHIPPLE	2013/04/10	▽=0	4 PLACES ± --- ± ---	DRAWN BY	DATE	ASSEMBLY - RECEPTACLE 4 CIRCUIT MULTI PATH <b>molex</b>	DOCUMENT NO. SD-46079-100
CHKD:BANDURA	2014/02/20	▽=0	3 PLACES ± --- ± .008	CHECKED BY	DATE		
APPR:SMILLER	2014/04/14	▽=0	2 PLACES ± 0.20 ± .013	APPROVED BY	DATE		
			1 PLACE ± 0.33 ± ---	APATEL	2005/08/05		
			0 PLACE ± ±				SHEET NO. 1 OF 1
			ANGULAR ±1/2°	MATERIAL NO.	THIS DRAWING CONTAINS INFORMATION THAT IS PROPRIETARY TO MOLEX INCORPORATED AND SHOULD NOT BE USED WITHOUT WRITTEN PERMISSION		
			DRAFT WHERE APPLICABLE MUST REMAIN WITHIN DIMENSIONS	SIZE			