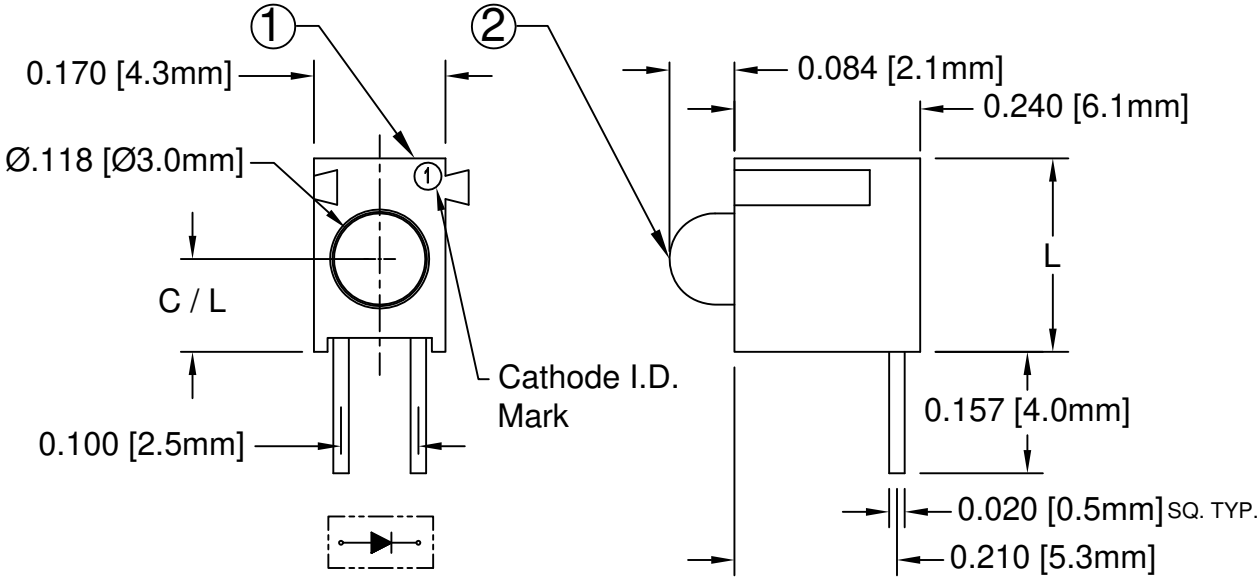
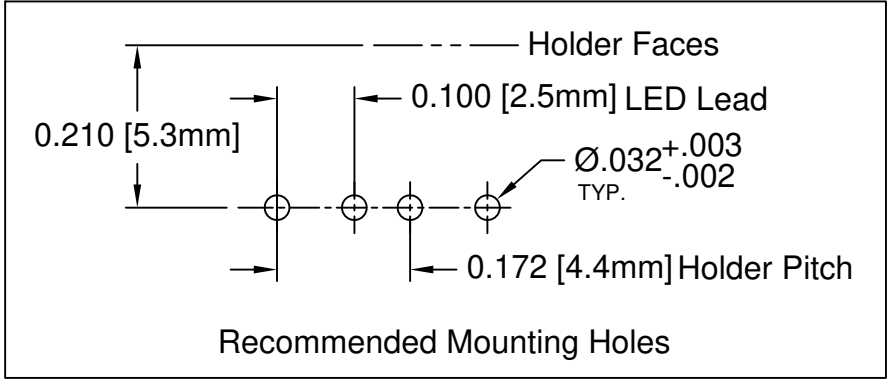


ITEM	Q'TY	PART NUMBER	PART DESCRIPTION
1	1	H-130C-1-XXX	T-1 (3mm) LED Holder, 90° Mount, Interlocking Var. C/L
2	1	3XX-S	T-1 (3mm) Shouldered N-Flanged LED, See Page 2

REV.	DESCRIPTION	DATE	APPROVED
B	Engineering Update w/o Changes	03/05/04	M. C.
C	LED Package Change to 3XX-S LEDs	10/26/07	M. C.
D	Added H130CAD-XXX	02/29/08	M. C.
E	Engineering Update w/o Changes	06/20/16	J. C.





EXAMPLE:
H130CRD-160*
 Centerline "C/L"
 LED Color & Lens Appearance.
 Omit 3 when ordering.
 Series * XXX = Centerline "C/L"



Available Centerlines		
XXX	C/L	L
120	.120 (3.0)	.250 (6.4)
140	.140 (3.6)	.270 (6.9)
160	.160 (4.1)	.290 (7.4)
180	.180 (4.6)	.310 (7.9)


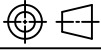
ABSOLUTE MAXIMUM RATINGS (Ta=25°C)

REVERSE VOLTAGE _____	5V
REVERSE CURRENT _____	100uA
OPERATING TEMPERATURE RANGE _____	-25° C - 85° C
STORAGE TEMPERATURE _____	-30° C - 100° C
LEAD SOLDERING TEMPERATURE(1/16" FROM BODY) _____	260° C FOR 5 SECONDS

STANDARD TOLERANCE (UNLESS OTHERWISE SPECIFIED)		 4 THOMAS, IRVINE, CA. 92618 TEL: (949) 951-8808 FAX: (949) 951-3974	
DECIMALS	ANGULAR		
.X ± .1	X° ± 1°	 TITLE: T-1 (3MM) INTERLOCKING 90° SINGLE-LEVEL VAR. C/L LED ASSY	
.XX ± .02			
.XXX ± .010			
DESIGNED: D. Green	DATE: 06/11/03	PART NO: H130CXX-XXX	REVISION: E
CHECKED: M. Chen	DATE: 06/11/03	CAGE CODE : 32559	SHEET # 1 OF 2
CAD GENERATED DOCUMENT. DO NOT MEASURE DRAWING.			

REV.	DESCRIPTION	DATE	APPROVED
	SEE SHEET #1		

LED Assy. No.	Peak Wave Length λ_p (nm)	Emitted Color	Lens Appearance	Electro-Optical Data				Viewing Angle $2\theta_{1/2}$ (Deg)	LED P/N
				If (mA)	Vf (V)		Iv (mcd)		
				Typ.	Typ.	Max.	Typ.		
STANDARD				Data @ 20m A					
H130CBWD-XXX	430	BLUE	DIFFUSED	20	4.0	4.5	20	45	3BWD-S
H130CGD-XXX	565	GREEN	DIFFUSED	20	2.2	2.6	30	45	3GD-S
H130CYD-XXX	585	YELLOW	DIFFUSED	20	2.1	2.6	20	45	3YD-S
H130CHD-XXX	635	HE RED	DIFFUSED	20	2.0	2.6	30	45	3HD-S
H130CRD-XXX	655	RED	DIFFUSED	20	1.7	2.0	6	45	3RD-S
H130CSR-XXX	660	SUPER RED	DIFFUSED	20	1.7	2.6	90	45	3SRD-S
H130CAD-XXX	610	AMBER	DIFFUSED	20	2.2	2.6	30	45	3AD-S
LOW CURRENT				Data @ 2m A					
H130CGDL-XXX	565	GREEN	DIFFUSED	2	1.9	2.2	6	45	3GDL-S
H130CYDL-XXX	585	YELLOW	DIFFUSED	2	1.9	2.2	4	45	3YDL-S
H130CHDL-XXX	635	HE RED	DIFFUSED	2	1.8	2.2	6	45	3HDL-S
5 VOLT				Data @ 5V					
H130CGD5V-XXX	565	GREEN	DIFFUSED	10	-	5.0	30	45	3GD5V-S
H130CYD5V-XXX	585	YELLOW	DIFFUSED	10	-	5.0	20	45	3YD5V-S
H130CHD5V-XXX	635	HE RED	DIFFUSED	10	-	5.0	30	45	3HD5V-S

STANDARD TOLERANCE (UNLESS OTHERWISE SPECIFIED) $\pm 10\%$ ALL VALUES ANGULAR		 BIVAR [®] 4 THOMAS, IRVINE, CA. 92618 TEL: (949) 951-8808 FAX: (949) 951-3974	
			
DESIGNED: D. Green	DATE: 06/11/03	TITLE: T-1 (3MM) INTERLOCKING 90° SINGLE-LEVEL VAR. C/L LED ASSY	
CHECKED: M. Chen	DATE: 06/11/03	PART NO: H130CXX-XXX	REVISION: E
		CAGE CODE : 32559	SHEET # 2 OF 2
CAD GENERATED DOCUMENT. DO NOT MEASURE DRAWING.			