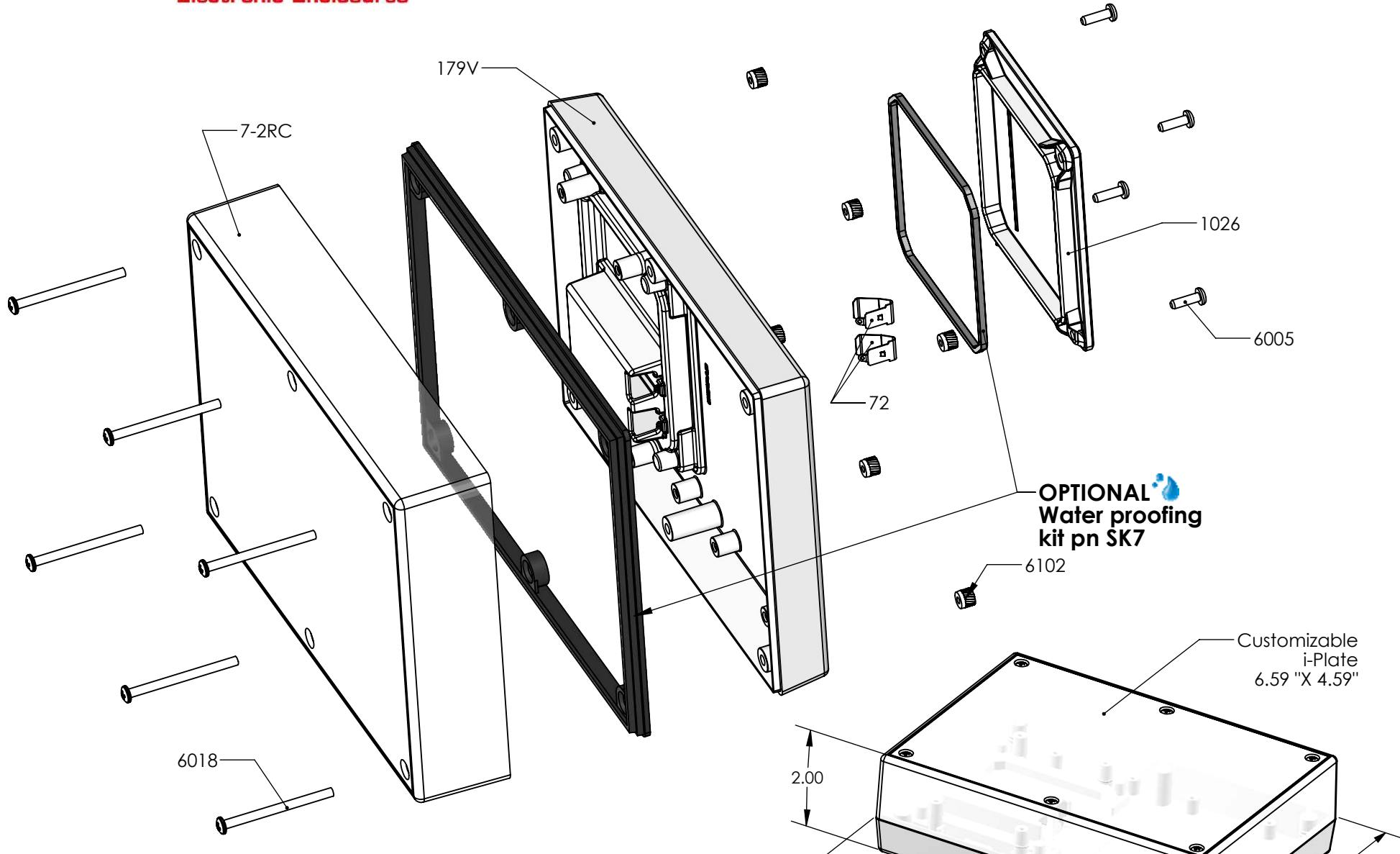


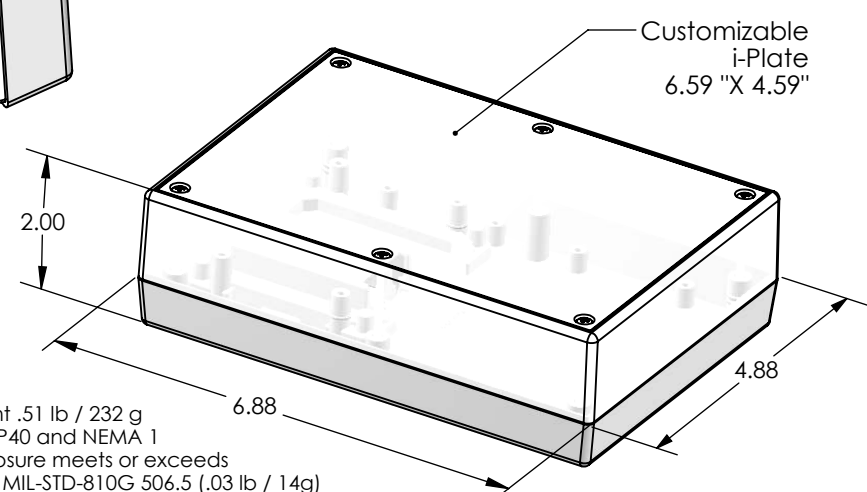
# SERPAC 172RC9V (exploded isometric)

Electronic Enclosures



| PART NO. | DESCRIPTION (Included)           | ACCESSORIES (Optional) |
|----------|----------------------------------|------------------------|
| 7-2RC    | Clear Top                        | PART NO. DESCRIPTION   |
| 179V     | 9V Bottom                        | 50 Non-skid Feet       |
| 1026     | Access Door                      | SK7 Seal Kit for 17X   |
| 6005     | #4 X 3/8" Self-Tapping Screw (4) |                        |
| 6018     | 4-40 X 1 1/2" Screw (6)          |                        |
| 6102     | 4-40 Threaded Insert (6)         |                        |
| 72       | Single Battery Contact (2)       |                        |

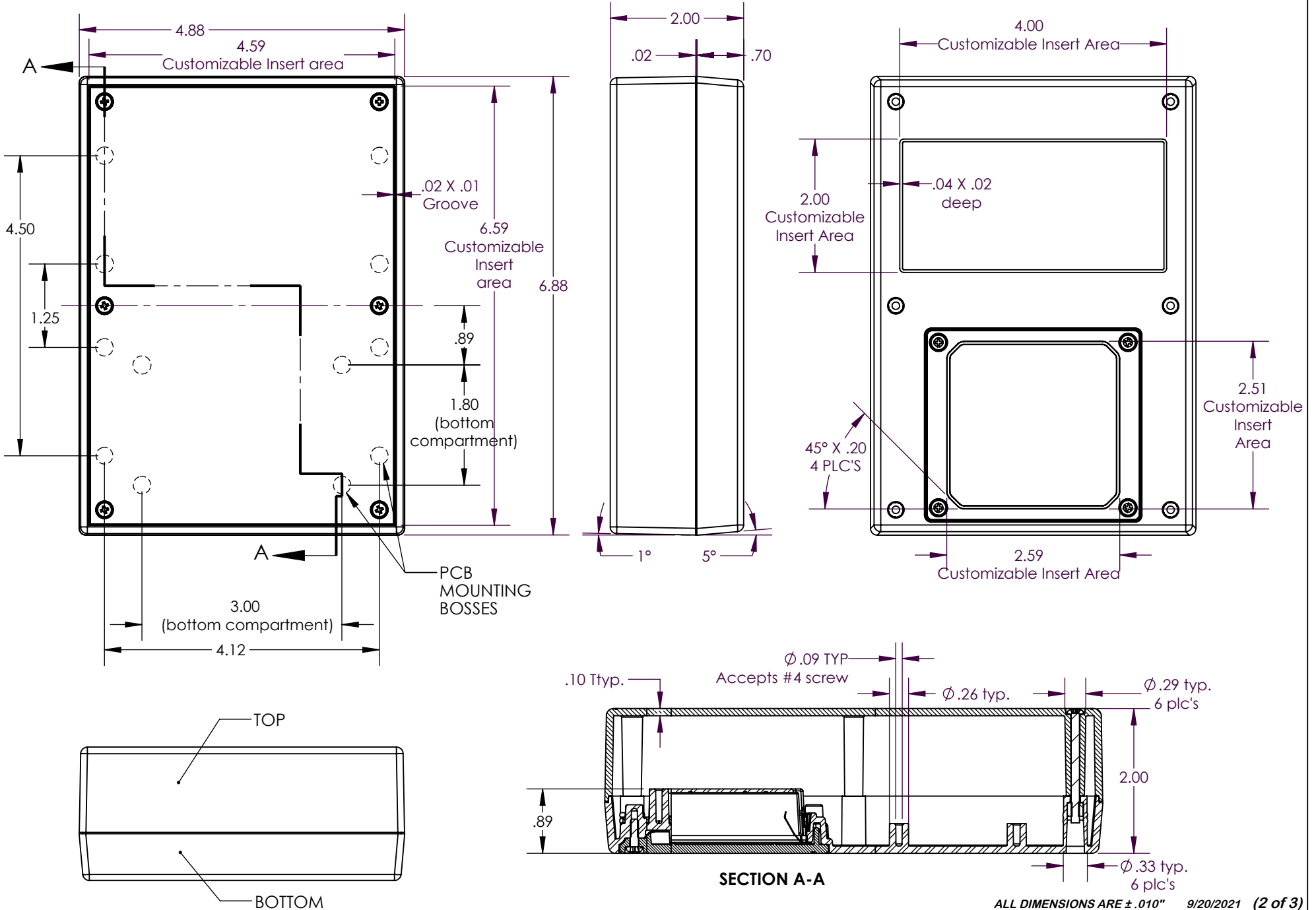
- Notes: Enclosure weight .51 lb / 232 g
- 1) Enclosure meets or exceeds IP40 and NEMA 1
  - 2) When used with SK7 the enclosure meets or exceeds IP 67 and NEMA 4X, 12 and 13 MIL-STD-810G 506.5 (.03 lb / 14g)
  - 3) Circuit Board drawings see sheet 3.
  - 4) All components are RoHS Compliant.



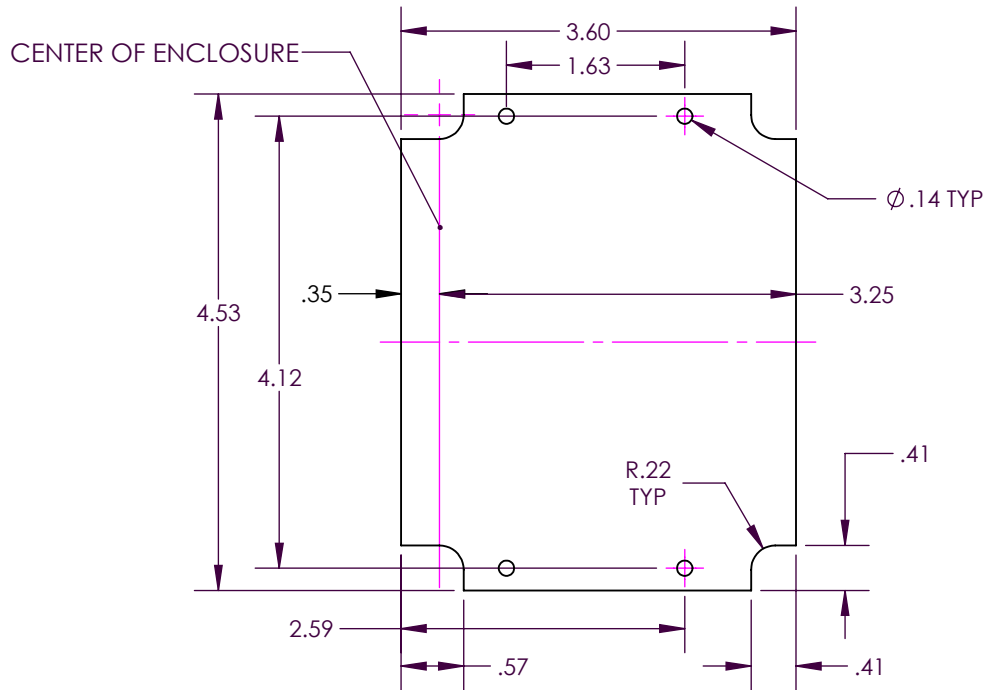
ALL DIMENSIONS ARE ± .010" 9/20/2021 (1 of 3)  
 2009 Wright Ave. La Verne, CA 91750  
 Ph. (626) 331-0517 Fx. (626) 331-8584 serpac.com

# SERPAC 172RC9V

Electronic Enclosures



## SMALL CIRCUIT BOARD FOR BOTTOM



## CIRCUIT BOARD FOR BOTTOM

