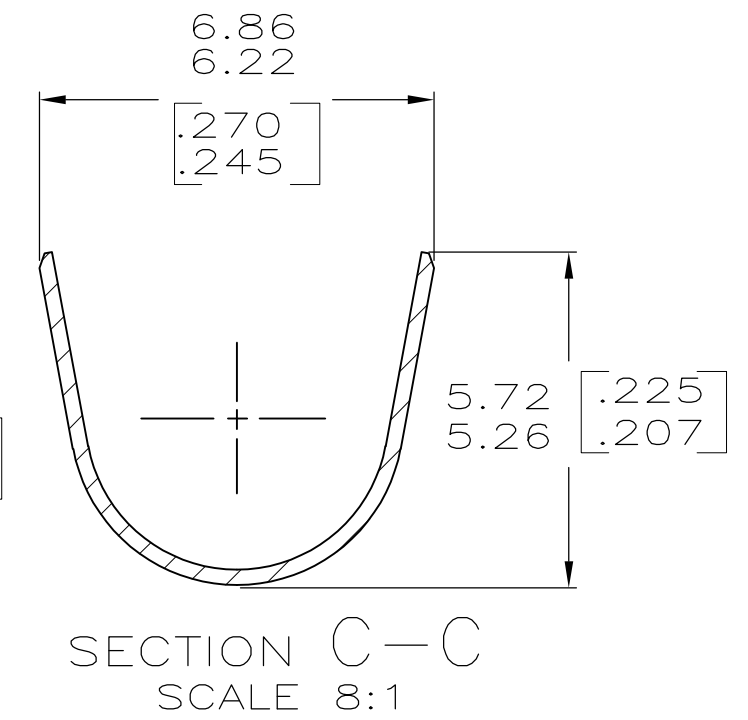
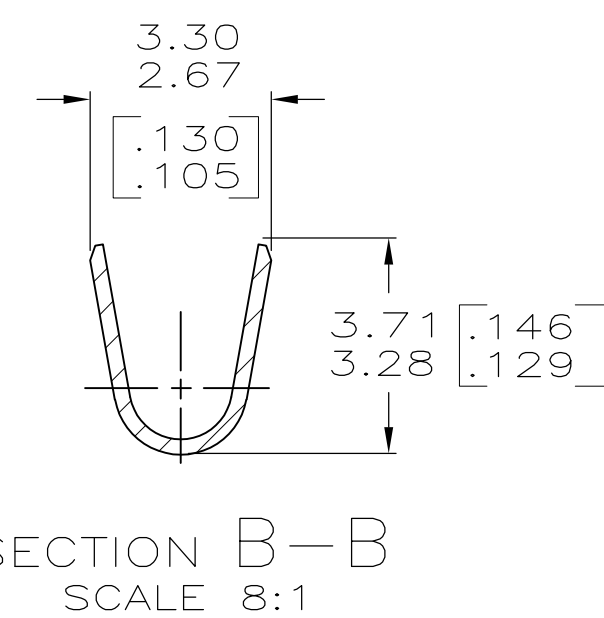
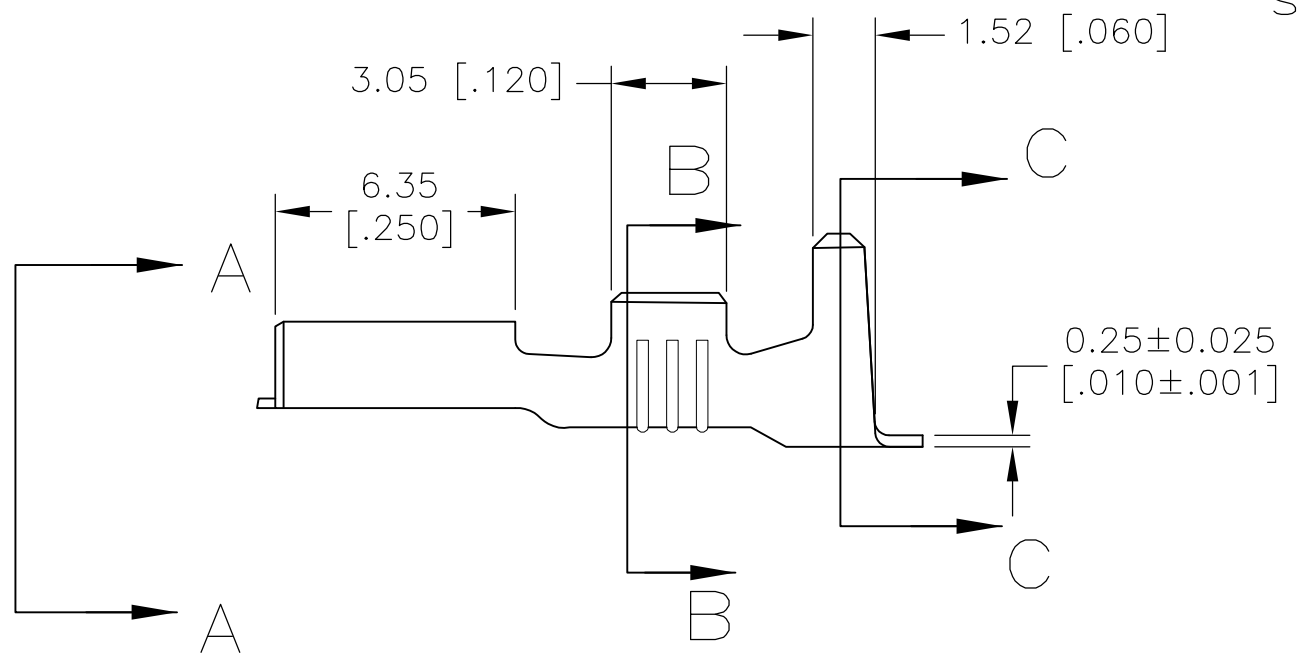
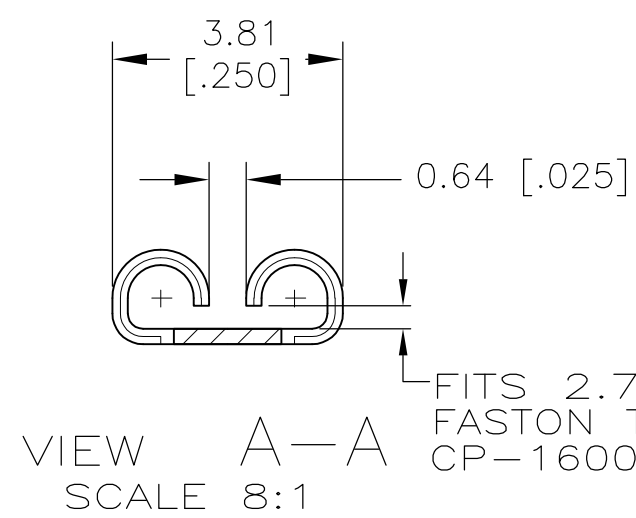
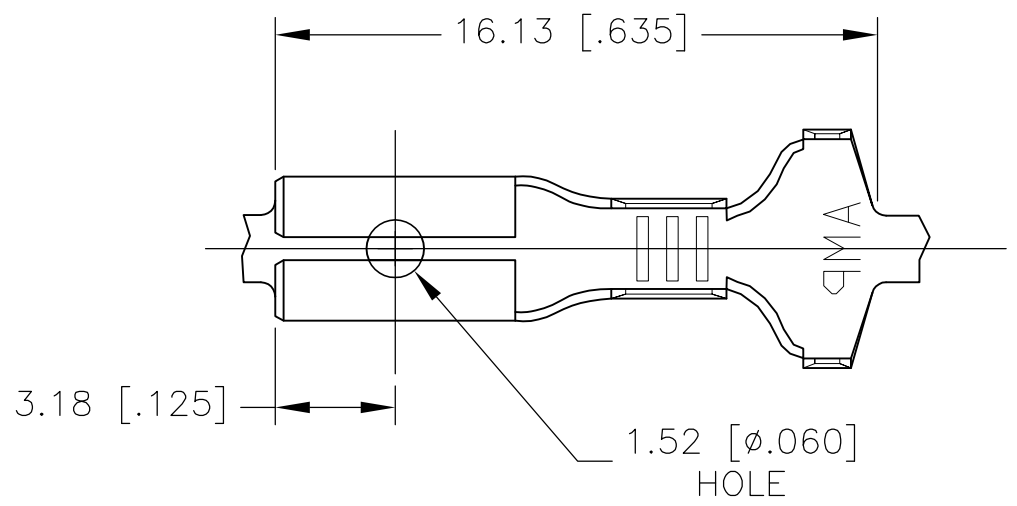


THIS DRAWING IS UNPUBLISHED. RELEASED FOR PUBLICATION
 © COPYRIGHT BY TYCO ELECTRONICS CORPORATION. ALL INTERNATIONAL RIGHTS RESERVED.

LOC	DIST	REVISIONS			
P	LTR	DESCRIPTION	DATE	DWN	APVD
AF	50	E1	REDRAWN PER ECR 09-001545	20JAN09	JR PD

- CONTINUOUS STRIP ON REELS.
- ACCEPTS WIRE SIZE [#18-#14] AWG.
- INSULATION RANGE TO BE 2.79-4.83 [.110-.190] DIA.
- MATING TAB THK TO BE 0.813 ± 0.025 [.032±.001].



63092-1
PART NO.

THIS DRAWING IS A CONTROLLED DOCUMENT.		DWN JR RUTH 20JAN09	Tyco Electronics Corporation Harrisburg, PA 17105-3608		
DIMENSIONS: INCHES	TOLERANCES UNLESS OTHERWISE SPECIFIED:	CHK PETE DESANTIS 20JAN09	NAME RECEPTACLE, FASTON, 2.79 [.110] SERIES		
	0 PLC ± - 1 PLC ± - 2 PLC ± 0.38 [.015] 3 PLC ± - 4 PLC ± - ANGLES ± -	APVD PETE DESANTIS 20JAN09	PRODUCT SPEC -		
MATERIAL H04 BRASS	FINISH TIN OVER COPPER	APPLICATION SPEC 114-2036	SIZE A3	CAGE CODE 00779	DRAWING NO C-63092
CUSTOMER DRAWING			WEIGHT -	RESTRICTED TO -	SCALE 5:1
			SHEET 1 OF 1	REV E1	