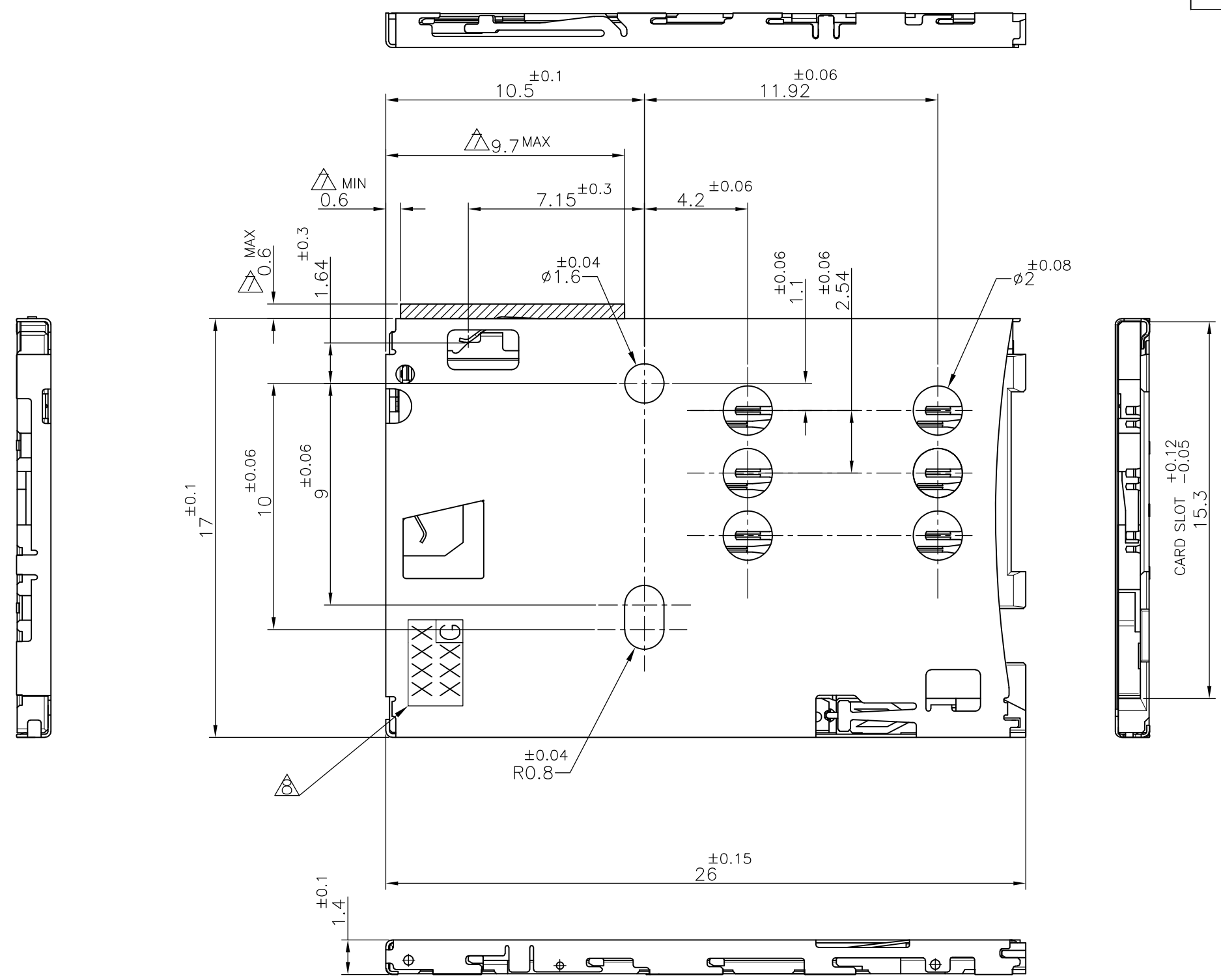
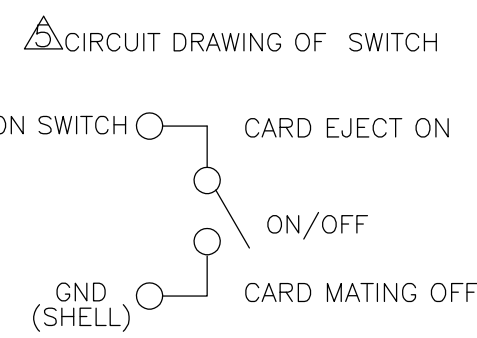
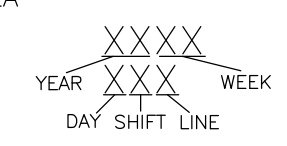


THIS DRAWING IS UNPUBLISHED. RELEASED FOR PUBLICATION JAN ,2011.
 © COPYRIGHT 2011 By Tyco Electronics Japan G.K ALL RIGHTS RESERVED.

LOC	DIST	REVISIONS					
		P	LTR	DESCRIPTION	DATE	DWN	APVD
J	/		A1	REVISED	05DEC2012	Y.K	T.K



- 1.MATERIAL HOUSING,SLIDER : THERMOPLASTIC RESIN
UL94V-0, COLOR;BLACK
CONTACT : COPPER ALLOY
SHELL : STAINLESS STEEL
COIL : SWP
CAM ROD : STAINLESS STEEL
- △FINISH CONTACT : Ni UNDER PL
Au PL AT CONTACT AREA
Au PL AT PROBE AREA
Au PL AT SOLDERING AREA
SHELL : Au PL AT SOLDERING AND SW AREA
- △ NON-CUMULATIVE TOLERANCE
- 4. COPLANARITY IS 0.1MAX.
- △ CIRCUIT DRAWING OF SWITCH
- 6. OVERALL TOLERANCE:±0.1
- △ SWITCH MOVING AREA
- △ MARK DATE CODE

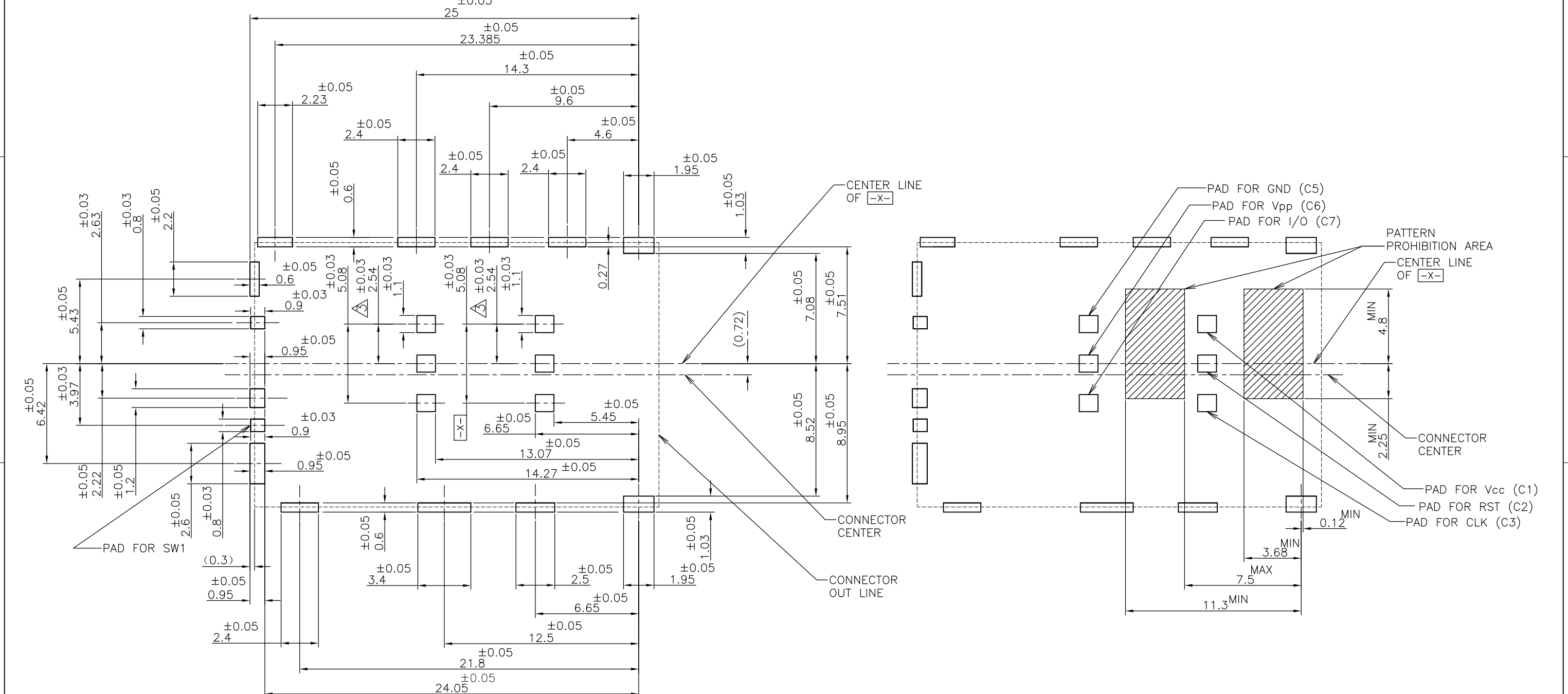


THIS DRAWING IS A CONTROLLED DOCUMENT.		DWN T.WATANABE 23APR2012	STE TE Connectivity	
DIMENSIONS: MM		CHK K.KOBAYASHI 23APR2012		
TOLERANCES UNLESS OTHERWISE SPECIFIED:		APVD T.KUSUHARA 23APR2012	NAME	
0 PLC ± -		SIM CONNECTOR		
1 PLC ± -		PUSH-PUSH SUPER LOWPROFILE TYPE		
2 PLC ± -		PRODUCT SPEC		
3 PLC ± -		108-78899		
4 PLC ± -		APPLICATION SPEC		
ANGLES ± -		SIZE	CAGE CODE	DRAWING NO
FINISH		WEIGHT 0.866g	A300779	C-2174918
MATERIAL		CUSTOMER DRAWING		RESTRICTED TO
		SCALE 5:1	SHEET 1 OF 4	REV A1

△	2174918-1
FINISH	PART NUMBER

THIS DRAWING IS UNPUBLISHED. RELEASED FOR PUBLICATION JAN , 2011.
 © COPYRIGHT 2011 By Tyco Electronics Japan G.K. ALL RIGHTS RESERVED.

LOC	DIST	REVISIONS					
		P	LTR	DESCRIPTION	DATE	DWN	APVD
J	/	-	-	SEE SHEET 1	-	-	-



PCB LAYOUT(REFERENCE)
(VIEWED FROM CONNECTOR MOUNT SIDE)

THIS DRAWING IS A CONTROLLED DOCUMENT.		DWN	-		
DIMENSIONS: MM		CHK	-		
TOLERANCES UNLESS OTHERWISE SPECIFIED:		APVD	-		
0 PLC ± -		PRODUCT SPEC	-		
1 PLC ± -		APPLICATION SPEC	-		
2 PLC ± -		WEIGHT	-		
3 PLC ± -		TE Connectivity			
4 PLC ± -		NAME SIM CONNECTOR PUSH-PUSH SUPER LOWPROFILE TYPE			
ANGLES ± -		SIZE	CAGE CODE	DRAWING NO	RESTRICTED TO
FINISH		A3 00779		C-2174918	
MATERIAL		CUSTOMER DRAWING		SCALE 4:1	SHEET 2 OF 4
				REV A1	

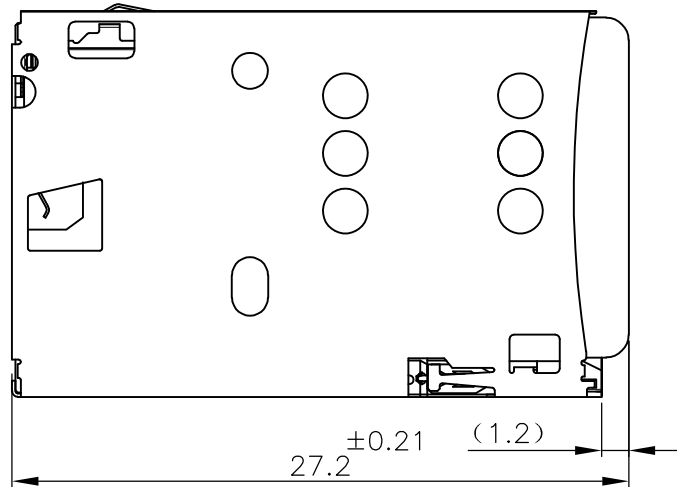
THIS DRAWING IS UNPUBLISHED.

RELEASED FOR PUBLICATION JAN , 2011.

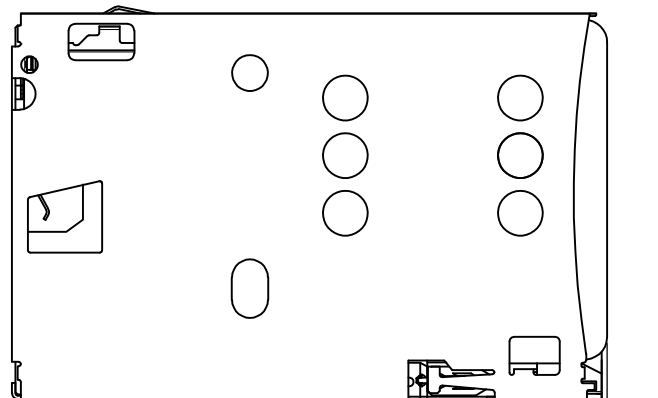
© COPYRIGHT 2011 By Tyco Electronics Japan G.K

ALL RIGHTS RESERVED.

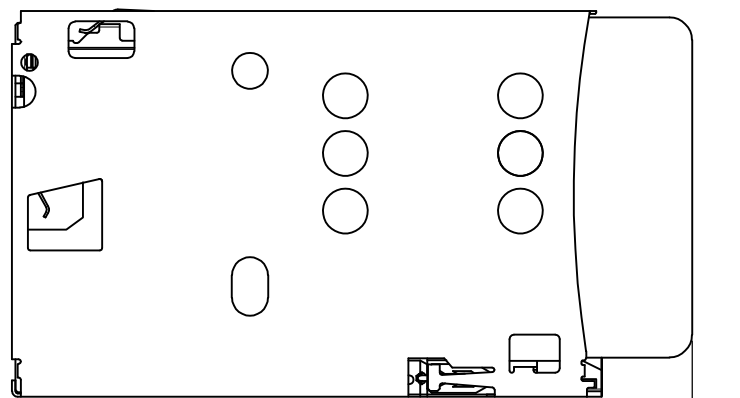
LOC	DIST	REVISIONS			
P	LTR	DESCRIPTION	DATE	DWN	APVD
J	/	SEE SHEET 1	-	-	-



MATING

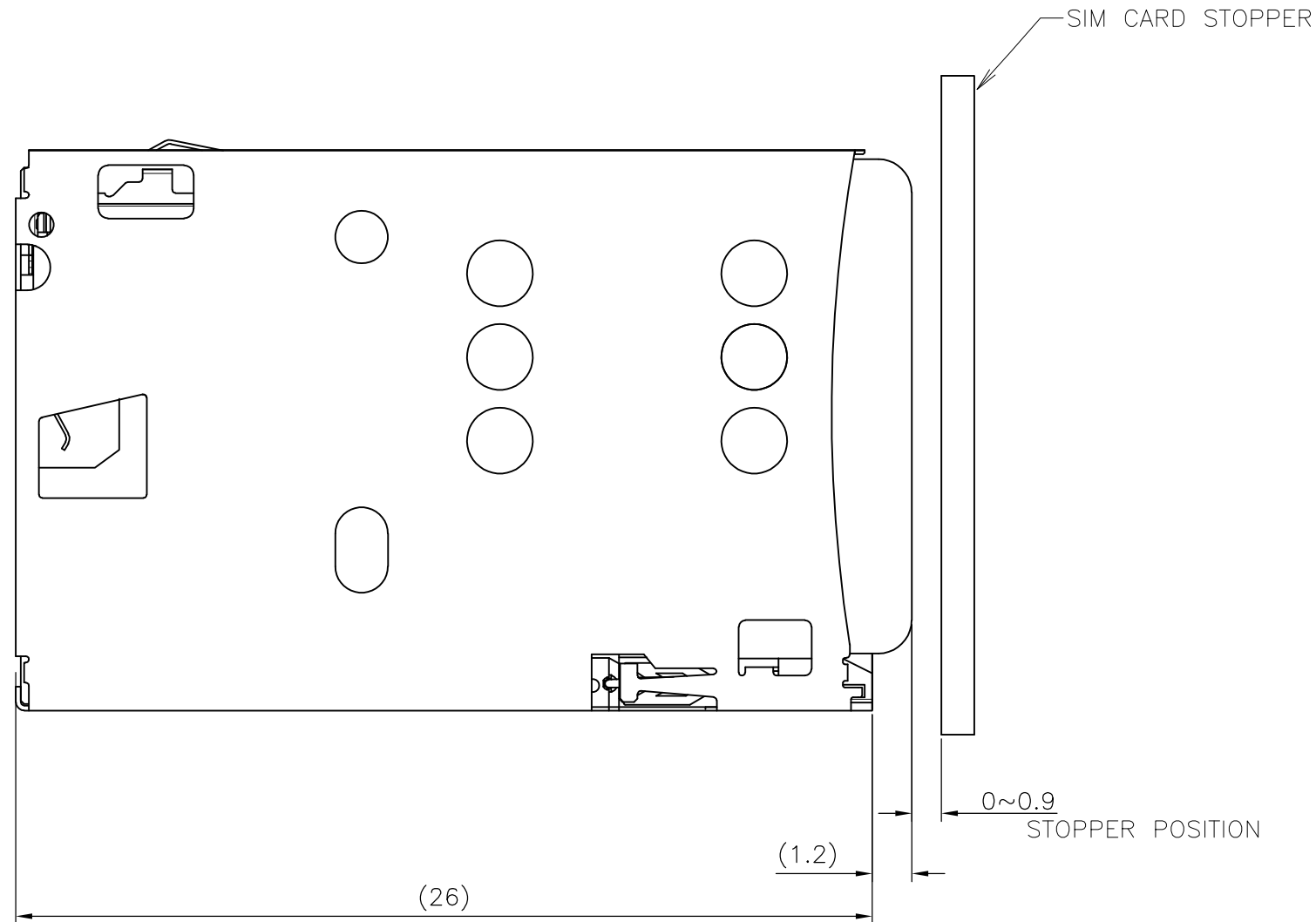



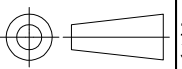
PUSH (0.25)



EJECT (4)

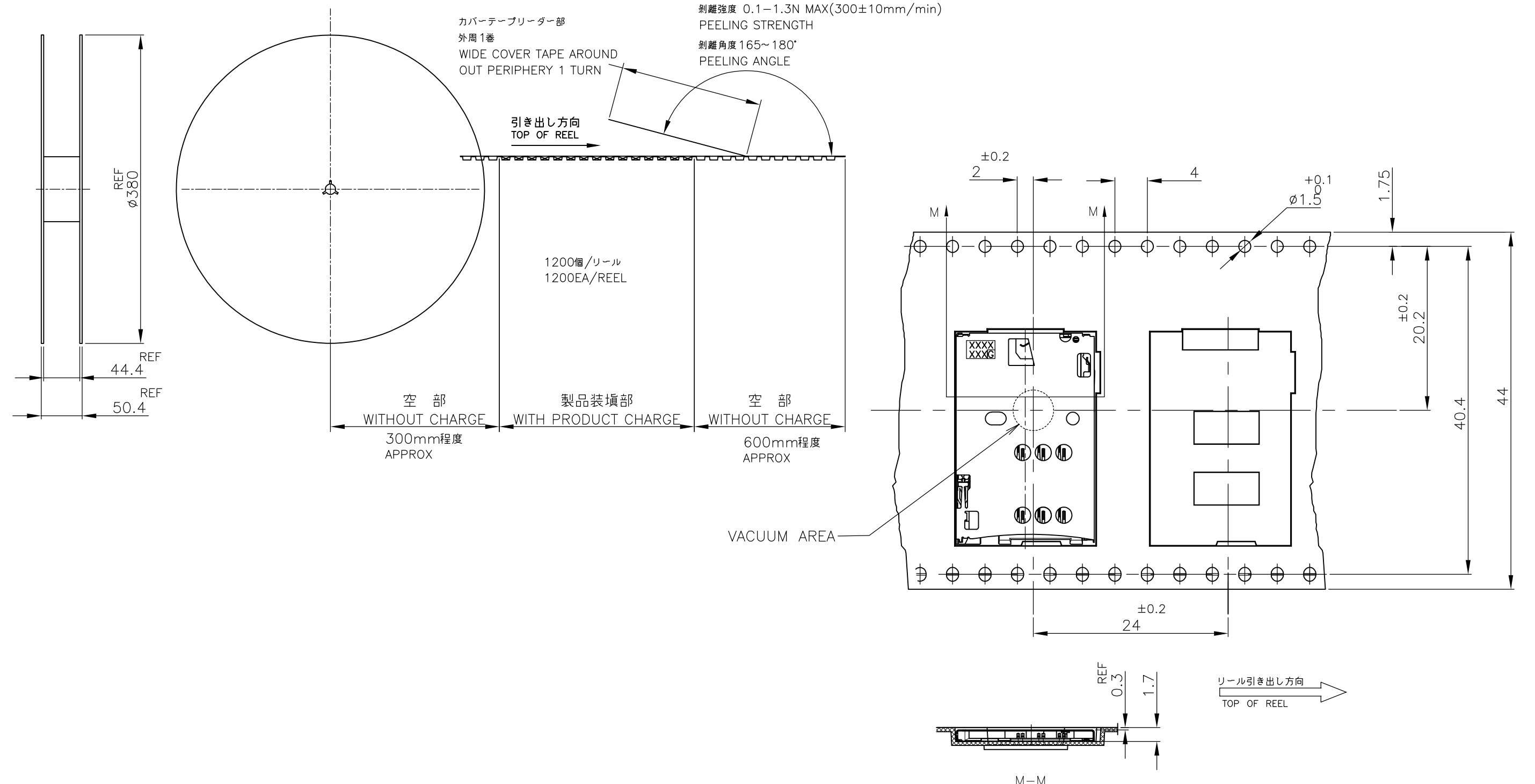
THERE IS NOT SIM CARD LOCK IN THIS CONNECTOR
PLEASE HOLD THE CARD EDGE AS SHOWN IN THE FIGURE BELOW AT TIME OF USE.



THIS DRAWING IS A CONTROLLED DOCUMENT.		DWN	-			 TE Connectivity					
DIMENSIONS: MM		CHK	-				NAME SIM CONNECTOR PUSH-PUSH SUPER LOWPROFILE TYPE				
		APVD	-								
TOLERANCES UNLESS OTHERWISE SPECIFIED: 0 PLC ± - 1 PLC ± - 2 PLC ± - 3 PLC ± - 4 PLC ± - ANGLES ± - MATERIAL FINISH		PRODUCT SPEC	-								
MATERIAL		APPLICATION SPEC	-			SIZE	CAGE CODE	DRAWING NO	RESTRICTED TO		
		WEIGHT	-			A3	00779	C-2174918			
CUSTOMER DRAWING						SCALE	4:1	SHEET	3 OF 4	REV	A1

THIS DRAWING IS UNPUBLISHED. RELEASED FOR PUBLICATION JAN , 2011.
 © COPYRIGHT 2011 By Tyco Electronics Japan G.K. ALL RIGHTS RESERVED.

LOC	DIST	REVISIONS			
P	LTR	DESCRIPTION	DATE	DWN	APVD
J	/	SEE SHEET 1	-	-	-



THIS DRAWING IS A CONTROLLED DOCUMENT.		DWN	-	STE TE Connectivity	
DIMENSIONS: MM		CHK	-		
TOLERANCES UNLESS OTHERWISE SPECIFIED:		APVD	-	NAME	
0 PLC ± -		PRODUCT SPEC		SIM CONNECTOR	
1 PLC ± -		APPLICATION SPEC		PUSH-PUSH SUPER LOWPROFILE TYPE	
2 PLC ± -		SIZE	A3	CAGE CODE	00779
3 PLC ± -		DRAWING NO	C=2174918		RESTRICTED TO
4 PLC ± -		WEIGHT	-		
ANGLES ± -		CUSTOMER DRAWING			
FINISH		SCALE	NTS		SHEET
		4 OF 4		REV	A1