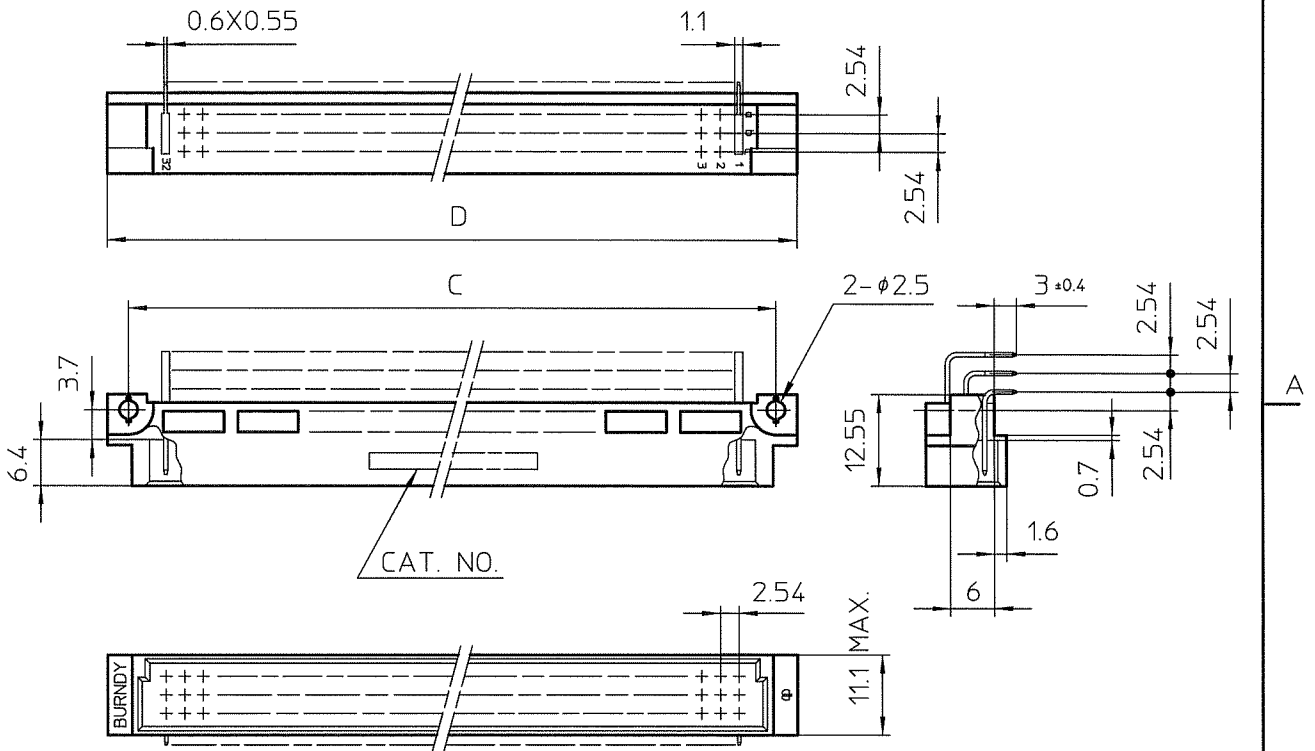


1

2



| CAT. NO. | NO. OF CONTACTS | CONTACT ARRANGEMENT (ROW) | DIMENSIONS | |
|-----------------|-----------------|---------------------------|------------|--------|
| | | | C | D MAX. |
| PI48B30P-1TD2LF | 16/ROW x 3 ROWS | a + b + c | 48.3 | 54 |
| PI48B32P-1TD2LF | 16/ROW x 2 ROWS | a + c | | |
| PI96B30P-1TD2LF | 32/ROW x 3 ROWS | a + b + c | 88.9 | 94 |
| PI96B32P-1TD2LF | 32/ROW x 2 ROWS | a + c | | |

MATERIAL

INSULATOR : PBT RESIN GLASS REINFORCED (UL94V-0)

COLOR : GRAY

CONTACT : COPPER ALLOY

CONTACT PLATING TABLE

[THICKNESS : μm]

| CONTACT AREA | REMAINDER |
|-----------------------------------|-------------------|
| GOLD 0.25 MIN. OVER NICKEL 3.2 | Sn OVER NICKEL |

| | | | | | | | | | | | | |
|-------------|----------|-----|-----------|---------------------------------------|-----------|----------------------------|--|------------|-----------|--|--------------------------|------|
| mat'l. code | | | | surface ISO 1302 ✓ | | tolerance ISO 406 ISO 1101 | | projection | | product family 5FEF | | |
| ltr | ecn no | dr | date | tolerances unless otherwise specified | | | | | | title PRINTED CIRCUIT CONNECTOR (Cat. No. PI48/96B30/32P-1TD2LF) | | |
| A | J07-0427 | H.T | 2007-8-23 | angles | linear | ±0.3 | | | | | | |
| | | | | dr | 2007-8-23 | | | | dwg no | | sheet 1 of 1 | size |
| | | | | enr | 2007-8-23 | | | | JSA 97353 | | A4 | |
| | | | | chr | 2007-8-24 | | | | type | | Product Customer Drawing | |
| | | | | appd | 2007-8-24 | | | | | | | |
| sheet index | revision | A | | | | | | | | | Rev | |
| | sheet | 1 | | | | | | | | | A | |

SC-PI02 JSA91323 or 94276
form: A4

1

2



FCIconnect.com

Copyright FCI