

Ratings

Voltage: 600 V
 Temperature: -40~105 °C
 Flammability: FT2

Conductor

Conductor count: 3
 Gauge: 26 AWG 0.13 mm²
 Material: tinned copper strands
 Strand size: $\varnothing 0.08 \times 26$
 Resistance at 20 °C: 150 Ω /km max

Insulator

Material: mPPE
 Color: red, black, white
 Diameter: $\varnothing 1 \pm 0.10$ mm
 Average thickness: 0.25 mm
 Resistance at 20 °C: 100 M Ω /km min

Wrap

Material: cotton paper

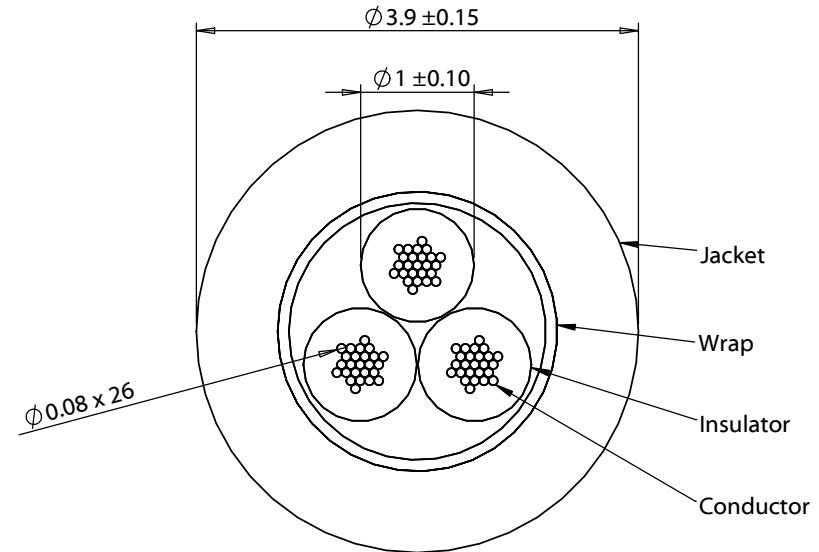
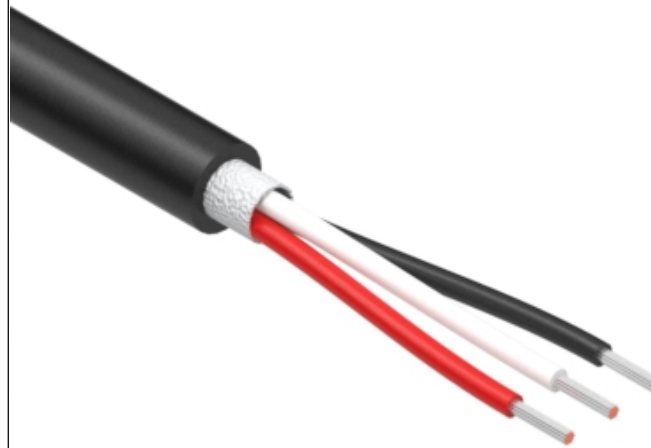
Outer jacket

Material: mPPE, 85A
 Color: black
 Diameter: $\varnothing 3.9 \pm 0.15$ mm
 Average thickness: 0.82 mm

Wire marking: E339579 UL AWM STYLE 21509 26 AWG 105°C
 600V --- cUL AWM I A 105°C 600V FT2 TENSILITY

Bend radius

Minimum: 6 times diameter (23.4 mm)



| | | | | | |
|-----------|----------|-----------------|--|---|---|
| Revision: | Date: | Description: | Prepared: | Notes: | TENSILITY tel 1.541.323.3228 800 877.670.7118 fax 1.541.323.4202 web tensility.com |
| A | 5/5/2021 | Initial release | AW <small>Digitally signed by AW Date: 2021.05.06 12:40:26 -07'00'</small> | RoHS compliant | |
| | | | Verified: | Phthalate and halogen free | Size: Part number: A 30-01986 |
| | | | JC <small>Digitally signed by JC Date: 2021.05.11 12:23:32 -07'00'</small> | Description: | |
| | | | Dimensions are in millimeters. Tolerances: X: ± 0.5 mm X.X: ± 0.3 mm X.XX: ± 0.05 mm | Wire, 3C TS, 26 AWG, 21509, 600V, 105C, 3.9 mm, FT2, mPPE | Scale: 15:1 |
| | | | | | Sheet 1 of 1 |

5

4

3

2

1