

**NOTES**  
 Bemerkungen

1 TOLERANCES UNLESS OTHERWISE SPECIFIED ±0.3  
 Toleranzen wenn nicht anders spezifiziert ±0.3

CUSTOMER PART NO	AMP PART NO	REV.	PCS.	MATERIAL	SURFACE COLOR	DESCRIPTION	ITEM NO
4113254	5-962344-1	G	1	PBT/ASA-GF30	WHITE RAL 9010	2POS. TAB HSG. COD.N	5
4113296	4-962344-1	G	1	PBT/ASA-GF30	BROWN RAL 8007	2POS. TAB HSG. COD.D1	4
4113288	3-962344-1	G	1	PBT/ASA-GF30	BLUE RAL 5009	2POS. TAB HSG. COD.C1	3
4113270	2-962344-1	G	1	PBT/ASA-GF30	GREY RAL 7015	2POS. TAB HSG. COD.B1	2
5354485	1-962344-2	G	1	PBT/ASA-GF30	YELLOW RAL 1018	2POS. TAB HSG. COD.A1	1
4113262	1-962344-1	G	1	PBT/ASA-GF30	BLACK RAL 9005	2POS. TAB HSG. COD.A1	1

DATE: 29.03.93	BY: S.Garcia	29.03.93
DATE: 29.03.93	BY: W.Stabroth	

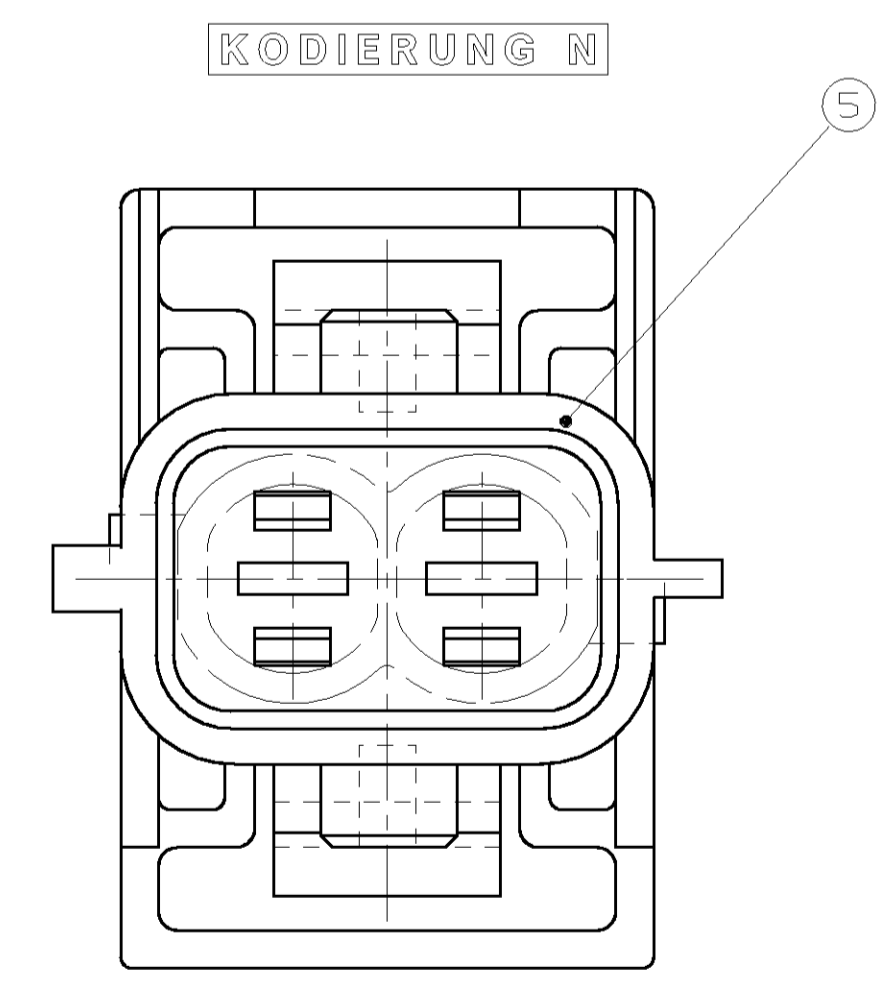
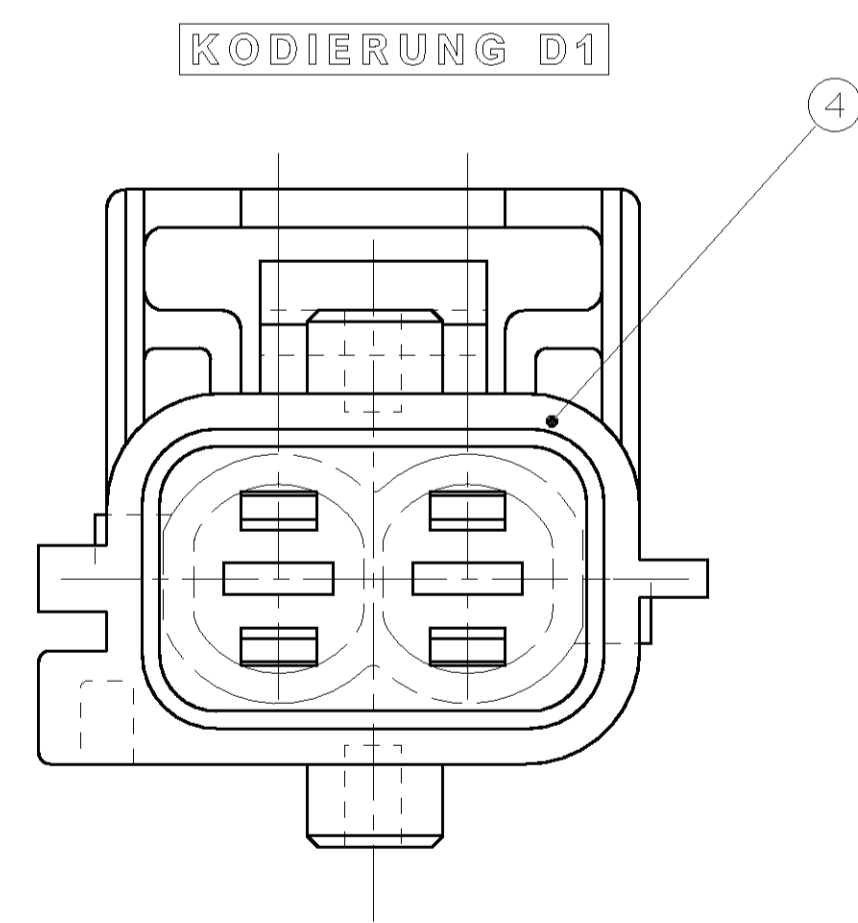
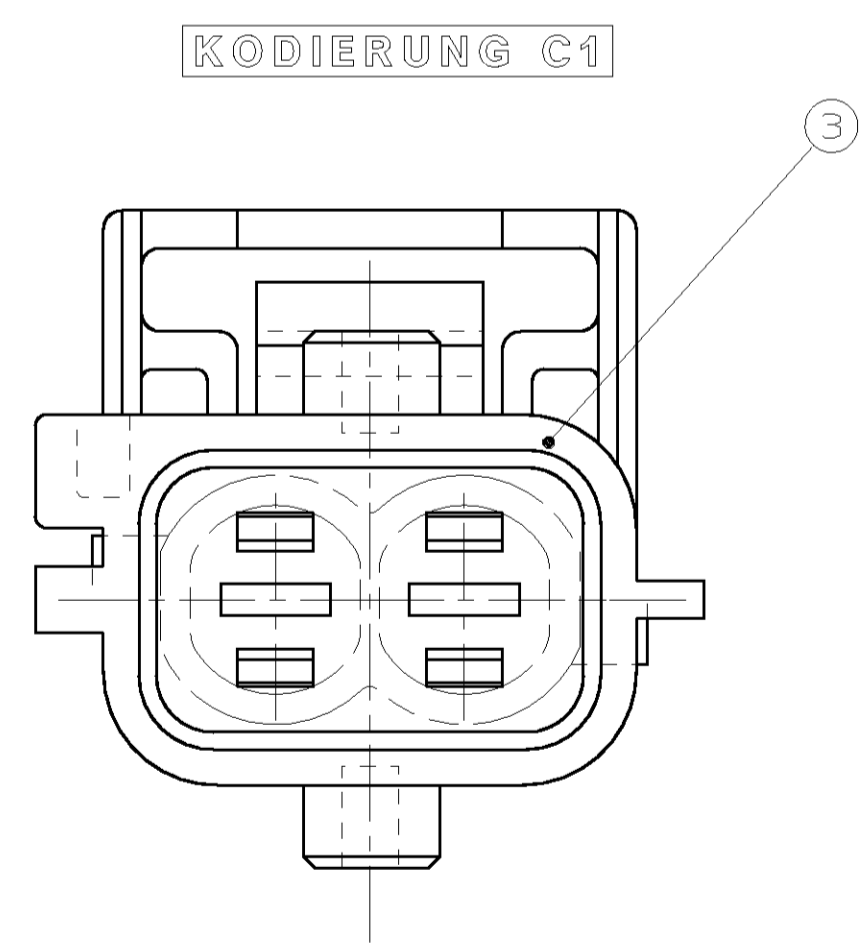
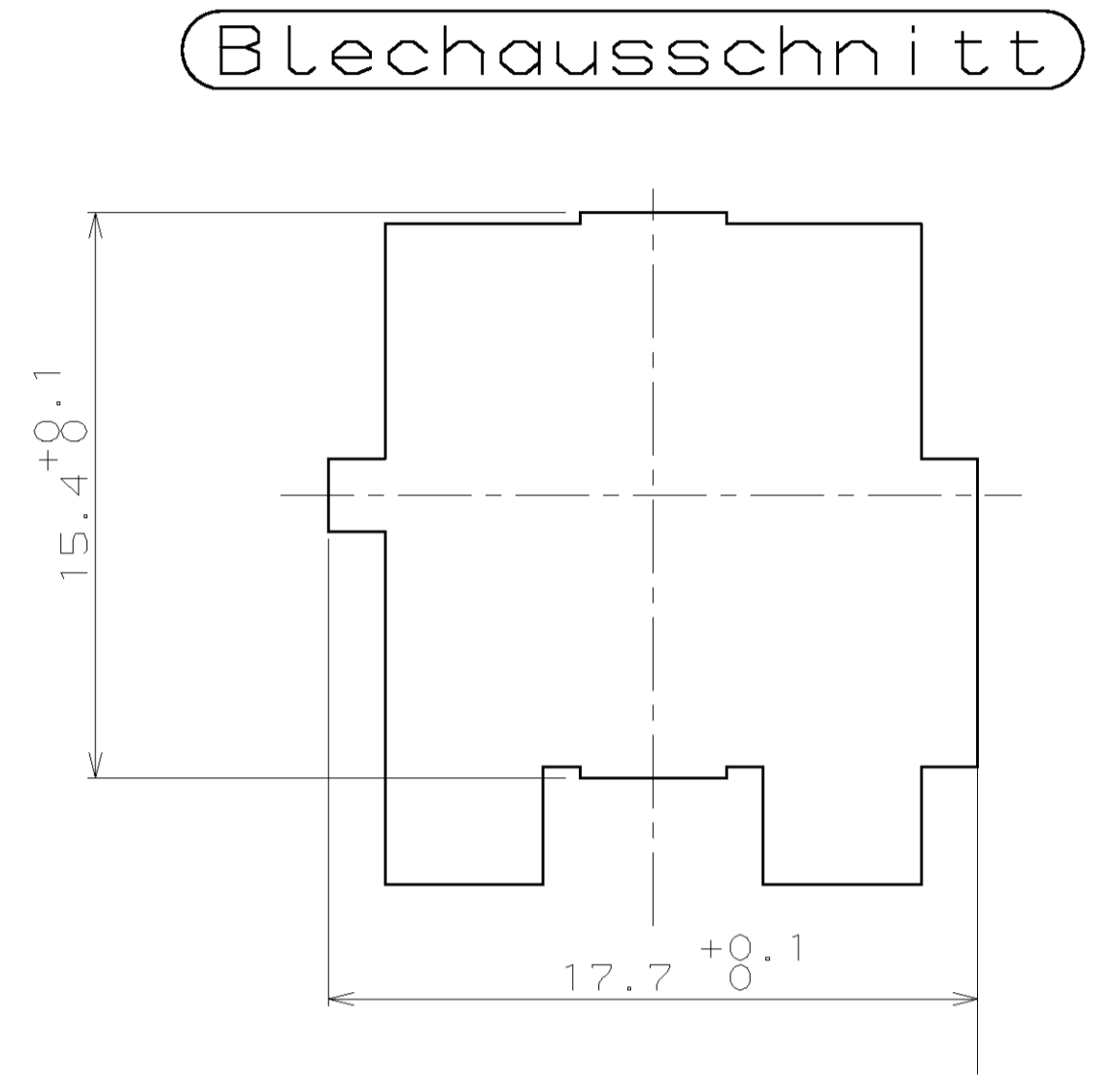
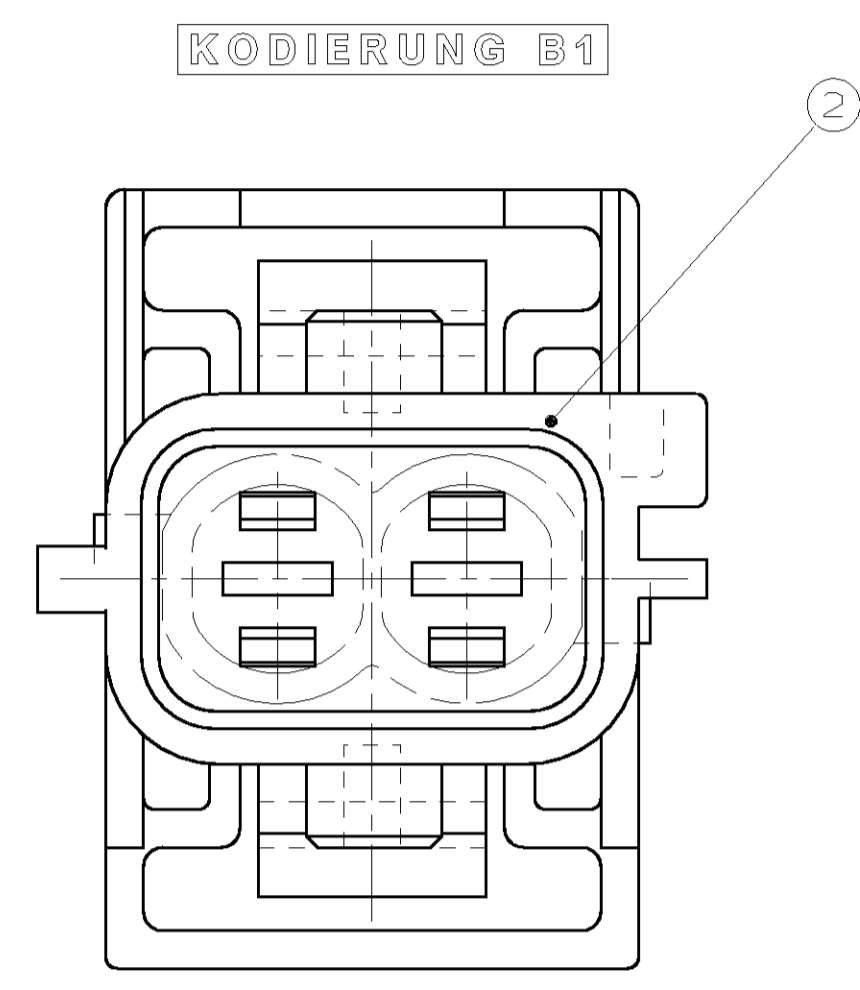
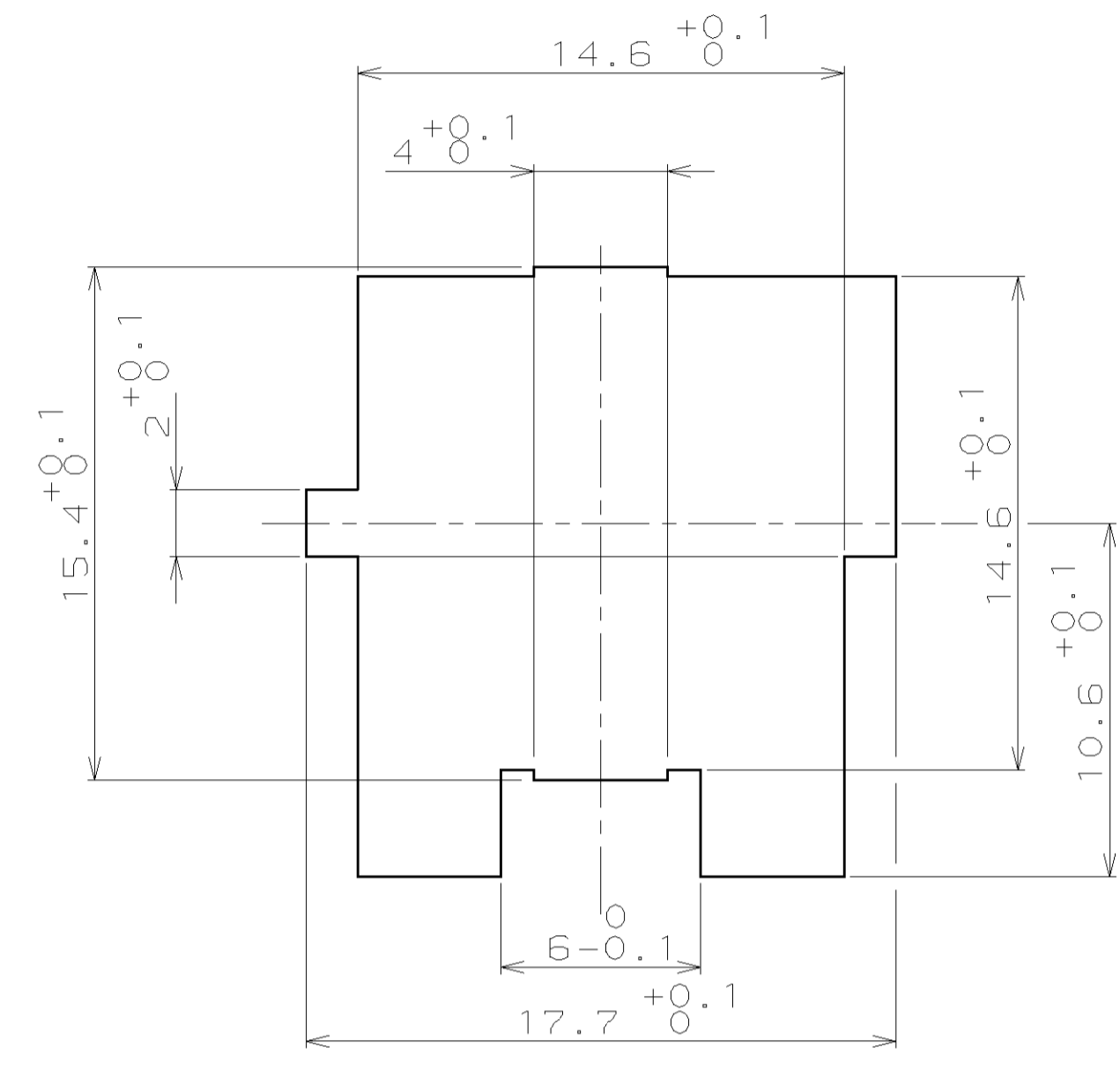
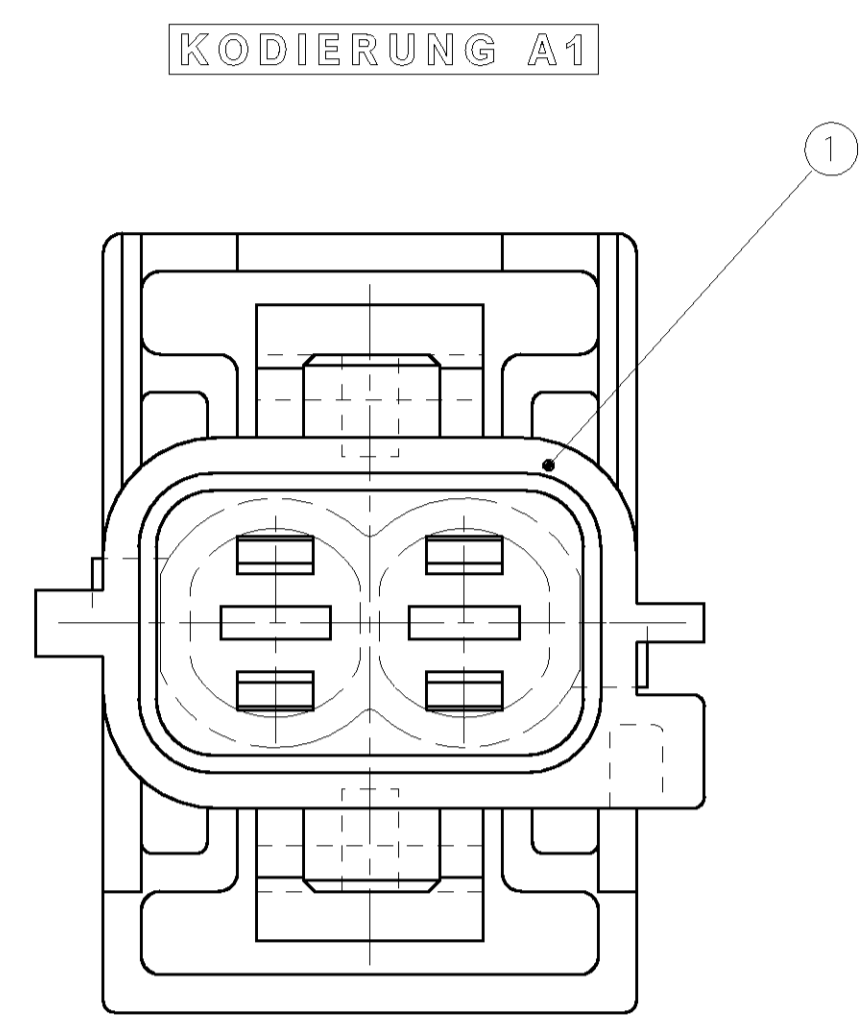
AMP	tyco Electronics AMP GmbH
	D - 64625 Bensheim

PRODUCT SPEC	2.8MM TAB HOUSING, 2POS.
PRODUCT SPEC	2.8mm FlaSt. Geh., 2-pol.
APPLICATION SPEC	
HERABEITUNGSSPEZ.	

SIZE	A1
CAGE CODE	00779
DRAWING NO	962344
TECHNUNG-NR.	

CUSTOMER DRAWING	/KUNDENZEICHNUNG
REVISIONS	5:1
BLATT	1 OF 2
REV	6

Blechausschnitt



CUSTOMER PART NO.	AMP PART NO.	REV.	PCS.	MATERIAL	SURFACE COLOR	DESCRIPTION	ITEM NO.
-	-	-	-	-	-	SEE SHEET 1	-

THIS DRAWING IS UNCLASSIFIED IT IS SUBJECT TO CHANGE AND THE CONTROLLING ENGINEERING DEPARTMENT SHALL BE CONTACTED FOR THE LATEST REVISION. ALLE DIMENSIONEN SIND IN MILLIMETER ANGEFÜHRT. DIMENSIONS: MILLIMETER UNLESS OTHERWISE SPECIFIED. TOLERANCES UNLESS OTHERWISE SPECIFIED: FRACTIONAL DECIMALS: ±0.10 DECIMALS: ±0.05 DIMENSIONS IN PARENTHESES: ±0.05 DIMENSIONS IN SQUARES: ±0.05 DIMENSIONS IN CIRCLES: ±0.05 DIMENSIONS IN DIAMETERS: ±0.05 DIMENSIONS IN SQUARES: ±0.05 DIMENSIONS IN CIRCLES: ±0.05 DIMENSIONS IN DIAMETERS: ±0.05 DIMENSIONS IN SQUARES: ±0.05 DIMENSIONS IN CIRCLES: ±0.05 DIMENSIONS IN DIAMETERS: ±0.05		DESIGNED BY: S. Garcia DRAWING NO.: 29.03.93 CHECKED BY: W. Stabroth DATE: 29.03.93 PRODUCT SPEC. / PRODUKTSPEZ. APPLICATION SPEC. / ANWENDUNGSSPEZ. WEIGHT / GEWICHT: - FINISH / OBERFLÄCHE / FARBE: -	tyco Electronics AMP GmbH D - 64625 Bensheim 2.8MM TAB HOUSING, 2POS. 2.8mm FlaSt. Geh., 2-pol. SIZE: A1 CAGE CODE: 00779 DRAWING NO.: 962344 CUSTOMER DRAWING / KUNDENZEICHNUNG	RESTRICTED TO MR. FUER 2 VON 2 REV 6
--	--	--	---	--