

G-INS-M20-S68N-PNES-LG - Cable gland



1414568

<https://www.phoenixcontact.com/us/products/1414568>

Please be informed that the data shown in this PDF document is generated from our online catalog. Please find the complete data in the user documentation. Our general terms of use for downloads are valid.



Cable gland, material for screw connection: PA, external cable diameter 6 mm ... 12 mm, shielding: no, connecting thread: M20 x 1.5, color: lightgrey RAL 7035

Your advantages

- Plastic material conforms to UL 746C f1

Commercial data

Item number	1414568
Packing unit	1 pc
Minimum order quantity	5 pc
Sales key	BF68
Product key	BF7DCX
Catalog page	Page 686 (C-2-2019)
GTIN	4055626029207
Weight per piece (including packing)	10.62 g
Weight per piece (excluding packing)	10 g
Customs tariff number	39269097
Country of origin	TR

G-INS-M20-S68N-PNES-LG - Cable gland



1414568

<https://www.phoenixcontact.com/us/products/1414568>

Technical data

Mounting

Assembly instructions	1) Mount screw connection support in the housing using the correct torque 2) Insert cable 3) Tighten union nut using the correct torque
-----------------------	---

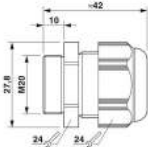
Product properties

Product type	Full screw connection
No. of conductors	1
Manufacturer	BIMED
Manufacturer Designation	BM-12
Shielded	no
Execution of the strain relief	A

Characteristics

Category of shock impact	2
Design, Strain relief	A

Dimensions

Dimensional drawing	
Length	42 mm
Length of the connecting thread	10 mm
Hole diameter	20.1 mm ... 20.2 mm
Wrench size, union nut	24 mm
Wrench size, support	24 mm
Hexagon angular dimension	27.8 mm
Thread type connection side	M20 x 1.5
Thread pitch	1.5 mm

Material specifications

Flammability rating according to UL 94	V2
Seal material Cable seal	CR
Material for screw connection	PA

Cable/line

External cable diameter (Cable 1)	6 mm ... 12 mm
External cable diameter ()	9 mm ... 12 mm (for UL 514 B)

Environmental and real-life conditions

G-INS-M20-S68N-PNES-LG - Cable gland



1414568

<https://www.phoenixcontact.com/us/products/1414568>

Ambient conditions

Degree of protection	IP66
	IP68 (5 bar / 0.5 h)
Ambient temperature (operation)	-40 °C ... 100 °C (static)

G-INS-M20-S68N-PNES-LG - Cable gland

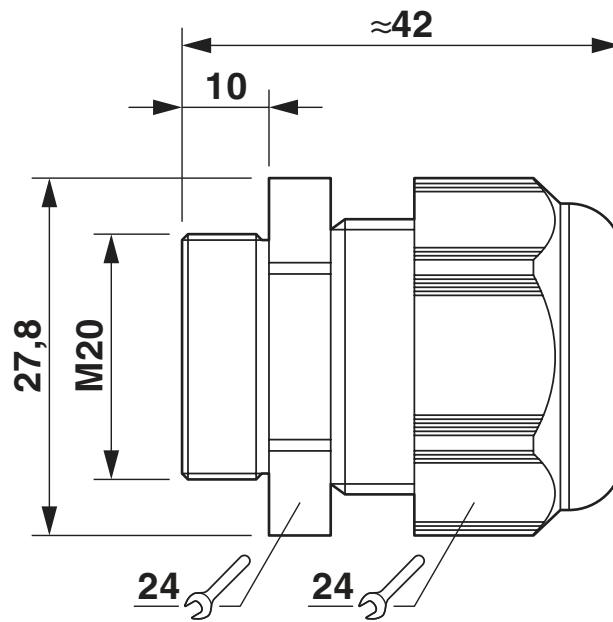
1414568

<https://www.phoenixcontact.com/us/products/1414568>



Drawings

Dimensional drawing



Dimensional drawing


G-INS-M20-S68N-PNES-LG - Cable gland



1414568

<https://www.phoenixcontact.com/us/products/1414568>

Approvals

 To download certificates, visit the product detail page: <https://www.phoenixcontact.com/us/products/1414568>

DNV

Approval ID: TAE00003WX



UL Listed

Approval ID: E199260

G-INS-M20-S68N-PNES-LG - Cable gland



1414568

<https://www.phoenixcontact.com/us/products/1414568>

Classifications

ECLASS

ECLASS-11.0	27144432
ECLASS-12.0	27140801
ECLASS-13.0	27140801

ETIM

ETIM 8.0	EC000441
----------	----------

UNSPSC

UNSPSC 21.0	39121300
-------------	----------

G-INS-M20-S68N-PNES-LG - Cable gland



1414568

<https://www.phoenixcontact.com/us/products/1414568>

Environmental product compliance

China RoHS	Environmentally friendly use period: unlimited = EFUP-e
	No hazardous substances above threshold values

G-INS-M20-S68N-PNES-LG - Cable gland



1414568

<https://www.phoenixcontact.com/us/products/1414568>

Accessories

A-INL-M20-P-LG - Counter nut

1414570

<https://www.phoenixcontact.com/us/products/1414570>

Counter nut, for threads M20 x 1.5, color: light grey



SEALING PLUG 9X16 RD - Closing cap

1400259

<https://www.phoenixcontact.com/us/products/1400259>

Closing cap, color: red



Phoenix Contact 2023 © - all rights reserved

<https://www.phoenixcontact.com>

Phoenix Contact USA
586 Fulling Mill Road
Middletown, PA 17057, United States
(+717) 944-1300
info@phoenixcon.com