

ISOW1044 Isolated CAN Transceiver with Integrated DC-DC Converter Evaluation Module



ABSTRACT

This user's guide describes the ISOW1044 isolated CAN transceiver with integrated DC-DC converter evaluation module (EVM). This EVM lets designers evaluate device performance for fast development and analysis of isolated systems. The EVM supports evaluation of the isolated CAN transceiver with integrated DC-DC converter ISOW1044 family in a 20-pin WB SOIC package (DFM-20).

CAUTION

This evaluation module is made available for isolator parameter performance evaluation only and is not intended for isolation voltage testing. To prevent damage to the EVM, any voltage applied as supply to LDO inputs must be maintained within 0 V to 12 V range and any voltage applied to device supply or data input pins must be maintained within 0 V to 5.5 V range as specified in datasheet section "Recommended Operating Conditions".

Table of Contents

| | |
|---|----------|
| 1 Introduction | 2 |
| 2 Overview | 2 |
| 3 Pin Configuration of the ISOW1044 Isolated CAN Transceiver with Integrated DC-DC Converter | 3 |
| 4 EVM Setup and Operation | 4 |
| 5 EVM Schematic | 6 |
| 6 PCB Layout and 3D Diagram | 7 |
| 7 Bill of Materials | 9 |

List of Figures

| | |
|--|---|
| Figure 3-1. ISOW1044 Isolated CAN Transceiver with Integrated DC-DC Converter Pin Configuration..... | 3 |
| Figure 4-1. Typical EVM Test Setup..... | 4 |
| Figure 5-1. ISOW1044DFMEVM Schematic..... | 6 |
| Figure 6-1. ISOW1044DFMEVM PCB Layout - Top Layer..... | 7 |
| Figure 6-2. ISOW1044DFMEVM PCB Layout - Bottom Layer..... | 7 |
| Figure 6-3. ISOW1044DFMEVM PCB 3D Diagram..... | 8 |

List of Tables

| | |
|--|---|
| Table 4-1. Jumper, Resistor and other Test Configurations..... | 4 |
| Table 7-1. Bill of Materials..... | 9 |

Trademarks

All trademarks are the property of their respective owners.

1 Introduction

This user's guide describes EVM operation with respect to the ISOW1044 isolated CAN transceiver with integrated DC-DC converter in 20-pin WB SOIC package (DFM-20). This user guide also includes the EVM BoM, EVM schematic, EVM PCB layout, and typical laboratory setup.

2 Overview

The ISOW1044 device is a galvanically-isolated controller area network (CAN) transceiver with a built-in isolated DC-DC converter that meets the specifications of the ISO11898-2 (2016) standard. This device offers ± 58 V DC bus fault protection and ± 12 V common-mode voltage range. The device supports CAN FD data rates allowing much faster transfer of payload compared to classic CAN. Both signal and power paths are 5 kV_{RMS} isolated per UL1577 and are qualified for reinforced isolation per VDE, CSA and CQC. The bus pins of these devices can endure up to 8 kV of IEC 61000-4-2 electrostatic discharge (ESD). The low-emissions, isolated DC-DC converter ensures the final system is capable of meeting CISPR 32 radiated emissions Class B limit lines with just two ferrite beads and with simple layout on a two-layer PCB. The device can operate from a single supply voltage of 4.5 V to 5.5 V by connecting V_{IO} and V_{DD} together on PCB. If lower logic levels are required, these devices support 1.71 V to 5.5 V logic supply (V_{IO}) that can be independent from the power converter supply (V_{DD}) of 4.5 V to 5.5 V. This device supports a wide operating ambient temperature range from -40°C to $+125^{\circ}\text{C}$ and are available in 20-pin DFM (SOIC-20 footprint compatible package) offering a minimum of 8-mm creepage and clearance.

The EVM enables a user to evaluate ISOW1044 device thoroughly before incorporating the device into their design. To facilitate the EVM to be powered from various power sources including regulated power supplies, standard DC adaptors and batteries, EVM includes two adjustable output LDOs (LM317M) that are connected to V_{IO} and V_{DD} pins of ISOW1044. This allows the LDO inputs to be connected to a wider range of supply voltages, and the optimum voltage for normal operation of the EVM is between 9 V to 12 V. The EVM also includes an on-board oscillator (LTC6908-1) that can be connected to the input pins (TXD and IN) of ISOW1044 through 0 Ω resistors. The oscillator helps to provide a quick test signal to verify device operation. The EVM can be configured to operate in various power supply voltages and test configurations the details of which are provided in following sections.

The EVM can be used to verify many of ISOW1044 datasheet parameters like input threshold voltages, current consumption and others. Some of the datasheet specifications require a different test setup configuration with necessary terminations than the ISOW1044DFMEVM and hence, they might not be verifiable from the EVM as-is. The example parameters include propagation delay and other timing specifications.

3 Pin Configuration of the ISOW1044 Isolated CAN Transceiver with Integrated DC-DC Converter

Figure 3-1 shows the ISOW1044 Isolated CAN Transceiver with Integrated DC-DC Converter pin configuration.

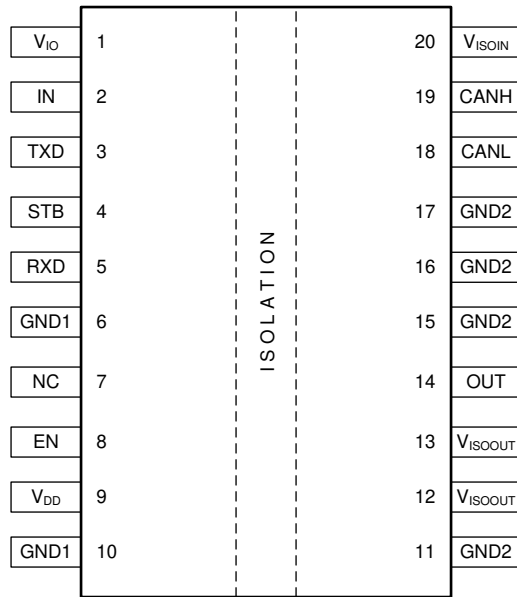


Figure 3-1. ISOW1044 Isolated CAN Transceiver with Integrated DC-DC Converter Pin Configuration

4 EVM Setup and Operation

This section describes the typical test setup and operation of the EVM for device evaluation. [Figure 4-1](#) shows a typical test configuration for operating the ISOW1044DFMEVM using two power supplies.

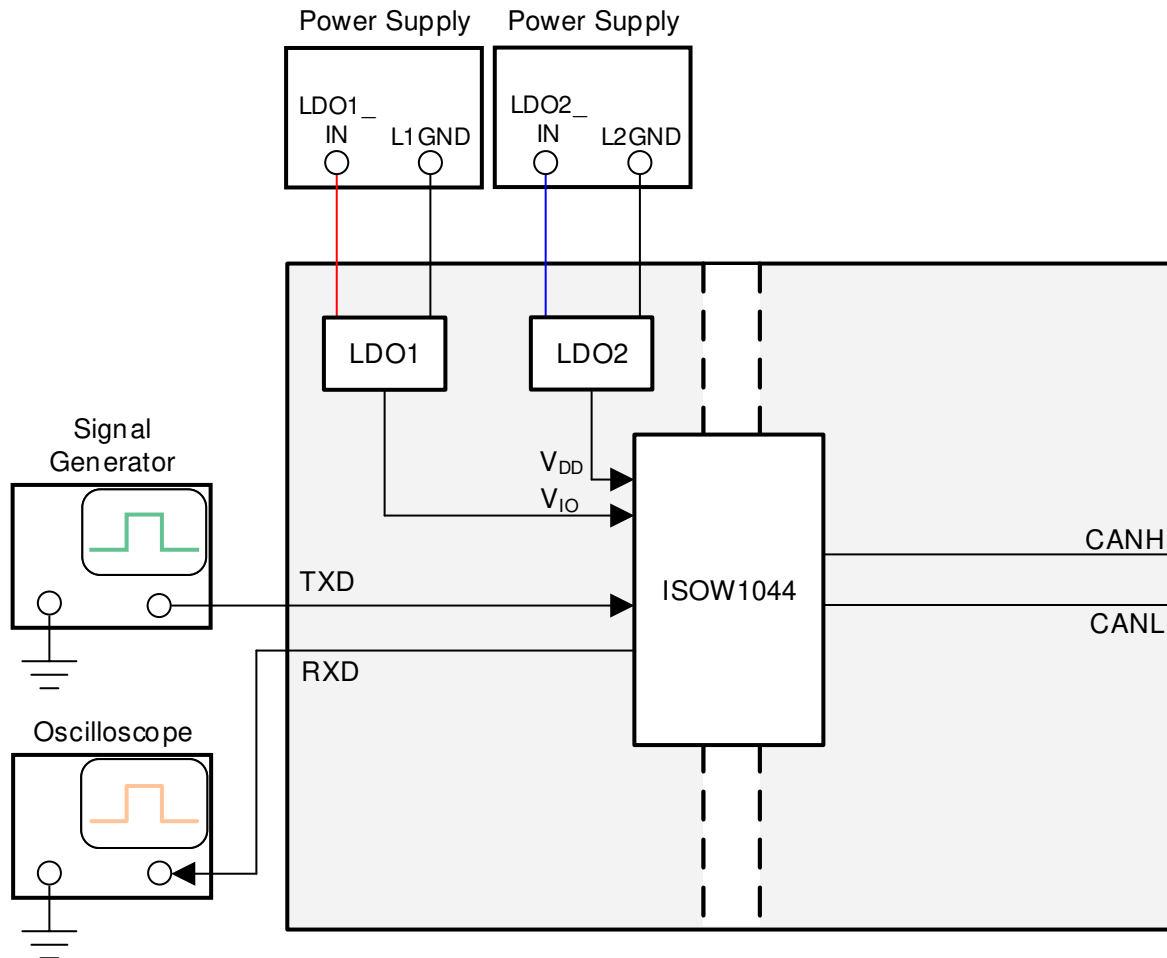


Figure 4-1. Typical EVM Test Setup

ISOW1044DFMEVM has many DNP resistors which can be populated or unpopulated to setup the EVM to desired operating test conditions. [Table 4-1](#) lists and describes all the possible test configurations that can be achieved by populating jumpers, resistors or other components.

Table 4-1. Jumper, Resistor and other Test Configurations

| Resistor | Description |
|----------------|---|
| J3 [5:6] | Populating a jumper on pins 5 and 6 of connector J3 will connect STB pin to V_{IO} and pull it HIGH thereby making the device go to standby mode. Depopulating the jumper or leaving the pins 5 and 6 of J3 OPEN will keep device in active mode. |
| J3 [9:10] | Populating a jumper on pins 9 and 10 of connector J3 will connect EN pin to GND and pull it LOW thereby disabling the DC-DC converter and all the circuit powered by the DC-DC converter. Depopulating the jumper or leaving the pins 5 and 6 of J3 OPEN will keep the DC-DC converter enabled and operating. |
| R1 | It connects LDOs U1, U2 inputs together allowing only one power supply to be used instead of two power supplies. |
| R2, R5, R6, R9 | Sets LDO U2 output voltage to 5 V, 3.3 V, 2.5 V or 1.8 V, respectively. Only one of the four resistors needs to be populated. |
| L1, L2, L5 | Either ferrite beads (L1 & L5, default) or common-mode choke (L2, ACT45B-510-2P-TL003) can be populated to test the EVM for EMC, especially for radiated emissions. Both ferrite beads and common-mode choke should not be populated at the same time. |
| R10, R3, R14 | Populating R10 bypasses LDO U1 allowing V_{DD} to be powered directly from external power supply. When R10 is populated, R3 and R14 need to be unpopulated to disconnect the LDO. When LDO is not bypassed, the recommended input voltage to LDO should be between 9 V and 12 V. |

Table 4-1. Jumper, Resistor and other Test Configurations (continued)

| Resistor | Description |
|--------------------|--|
| R12, R4, R15 | Populating R12 bypasses LDO U2 allowing V_{IO} to be powered directly from external power supply. When R12 is populated, R4 and R15 need to be unpopulated to disconnect the LDO. When LDO is not bypassed, the recommended input voltage to LDO should be between 9 V and 12 V. |
| R13 | This resistor connects TXD pin to IN pin allowing only one external input signal to be applied to both channels. |
| R21 | It connects oscillator U3 output signal to U4 TXD input allowing EVM to be tested using a test signal without needing any external test signal input. |
| R23 | Default resistance value of 200 k Ω on R23 sets U3 output signal frequency to 0.5 MHz (1 Mbps) and changing this default value to 40 k Ω sets the output signal frequency to 2.5 MHz (5 Mbps). |
| L11, R28, R29 | Provision for common-mode choke (L11, ACT45B-510-2P-TL003) has been provided to allow some EMC testing and evaluation, like radiated emissions testing. When L11 is populated, R28 and R29 should be depopulated. |
| R30, R31, R32, C21 | R30 is a single termination resistor while R31 and R32 provide split termination along with C21 that filters unwanted high frequency noise. Either R30 alone or R31, R32 & C21 should be populated at any point of time. |
| C22, C23 | These capacitors can be populated for additional noise filtering. |
| D1 | D1 (PESD2CAN, 215) can be populated to provide additional EMC protection to CAN bus of device ISOW1044 |
| R33 | This resistor can be populated to facilitate additional external load to V_{ISOOUT} other than the loading by CAN bus. |

5 EVM Schematic

Figure 5-1 shows the ISOW1044DFMEVM schematic.

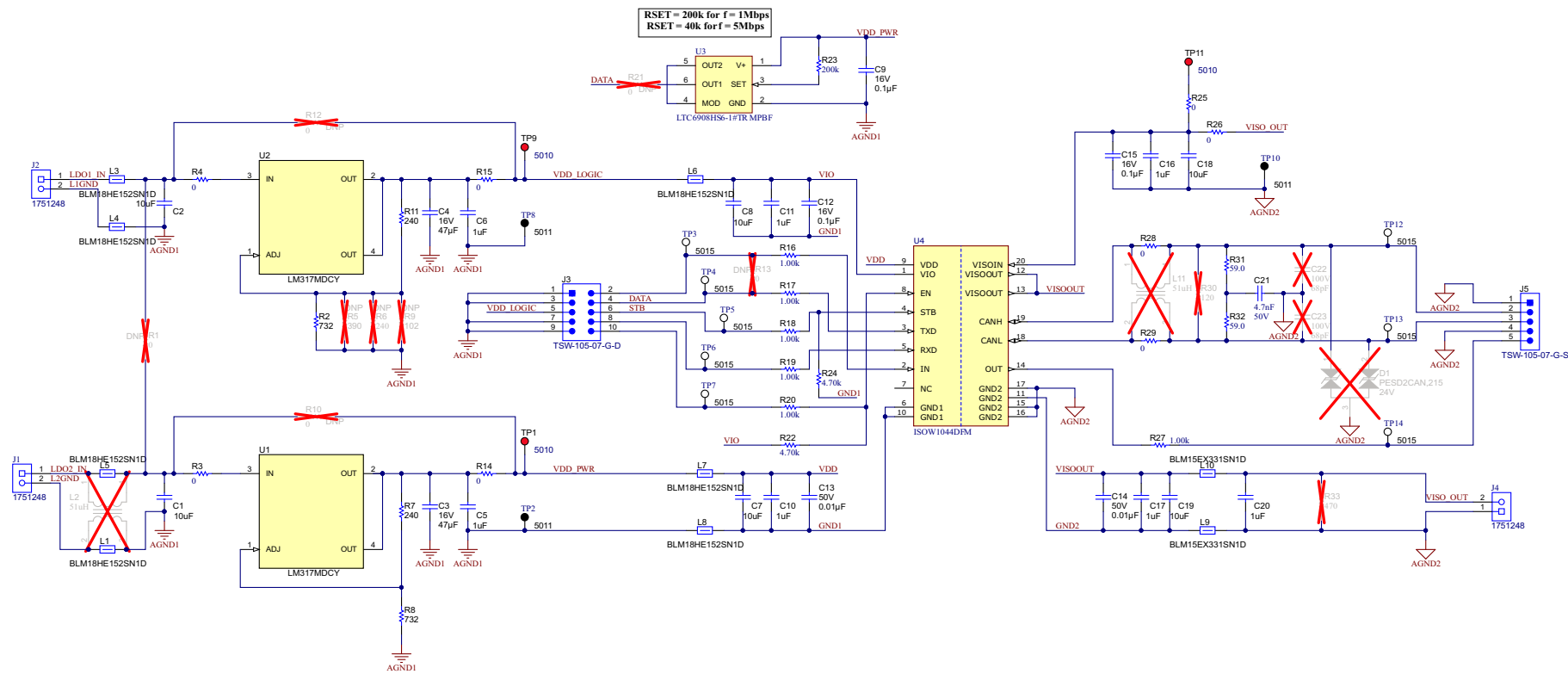


Figure 5-1. ISOW1044DFMEVM Schematic

6 PCB Layout and 3D Diagram

Figure 6-1 and Figure 6-2 show the printed-circuit board (PCB) layout top and bottom layers, respectively, and Figure 6-3 shows a 3D diagram of the PCB indicating how a finished board will look.

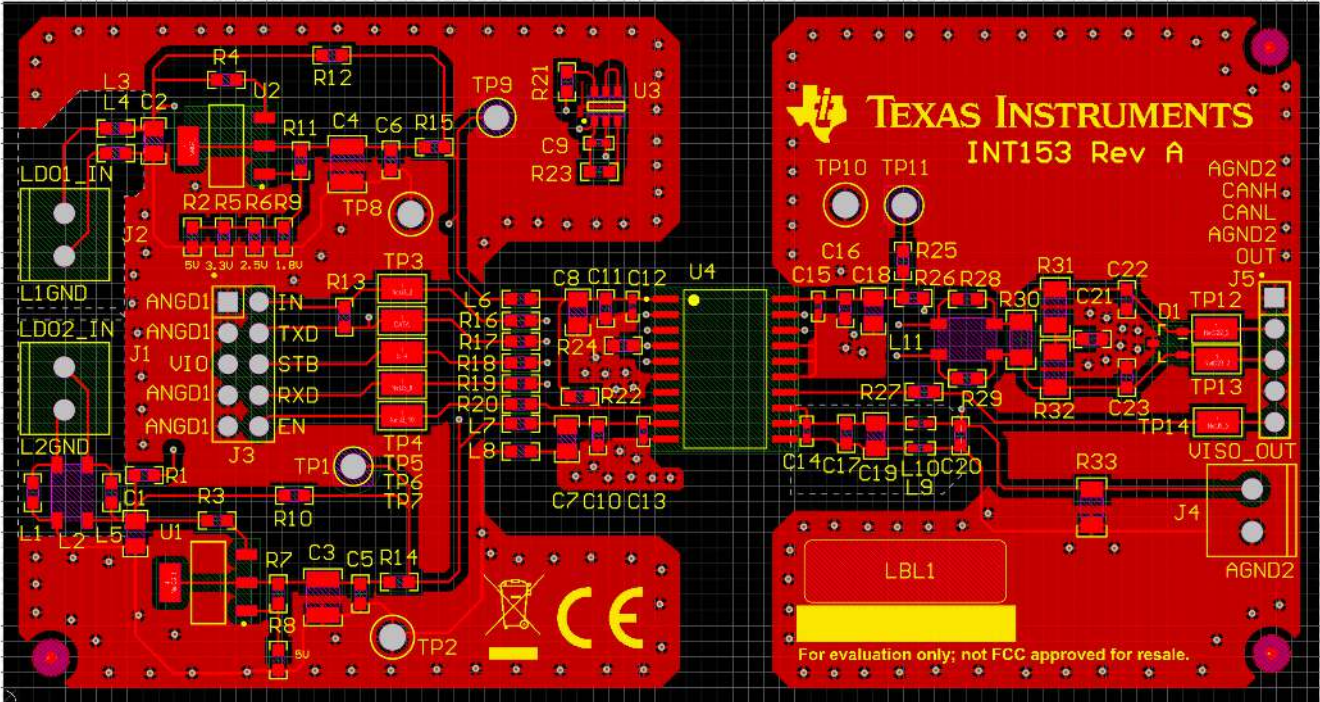


Figure 6-1. ISOW1044DFMEVM PCB Layout - Top Layer

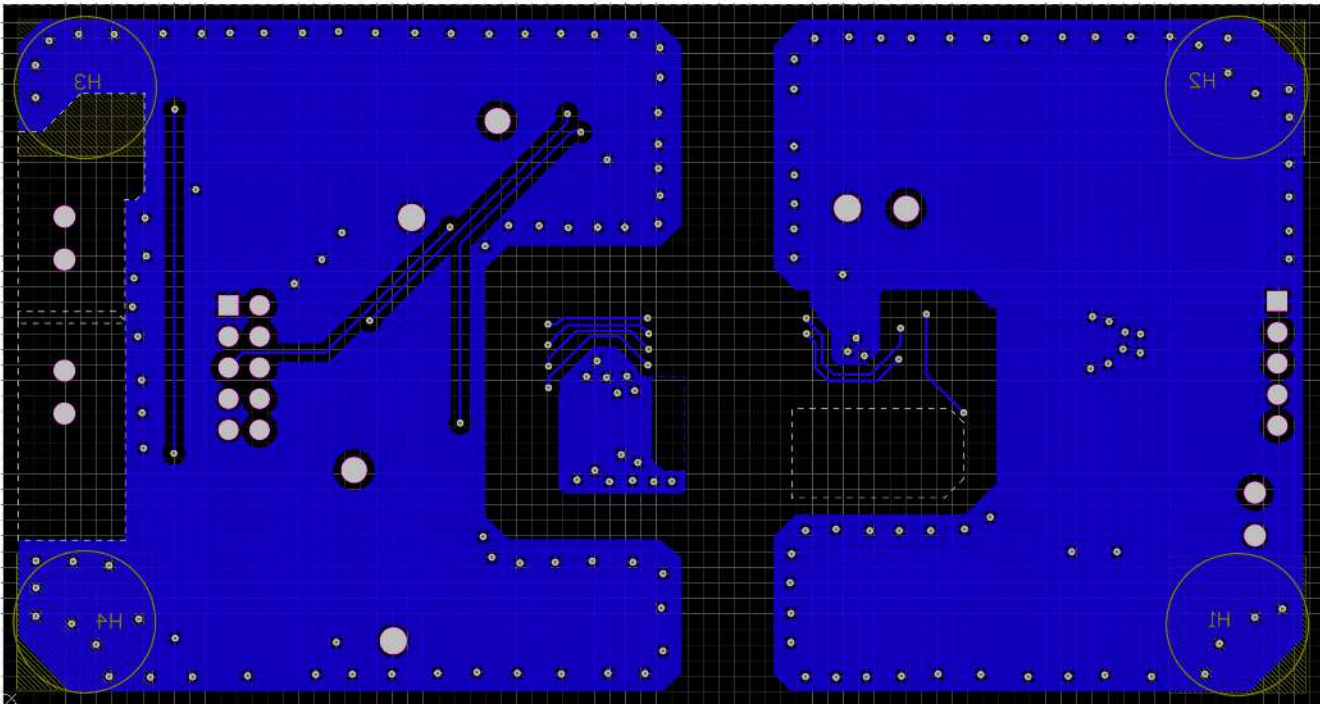


Figure 6-2. ISOW1044DFMEVM PCB Layout - Bottom Layer

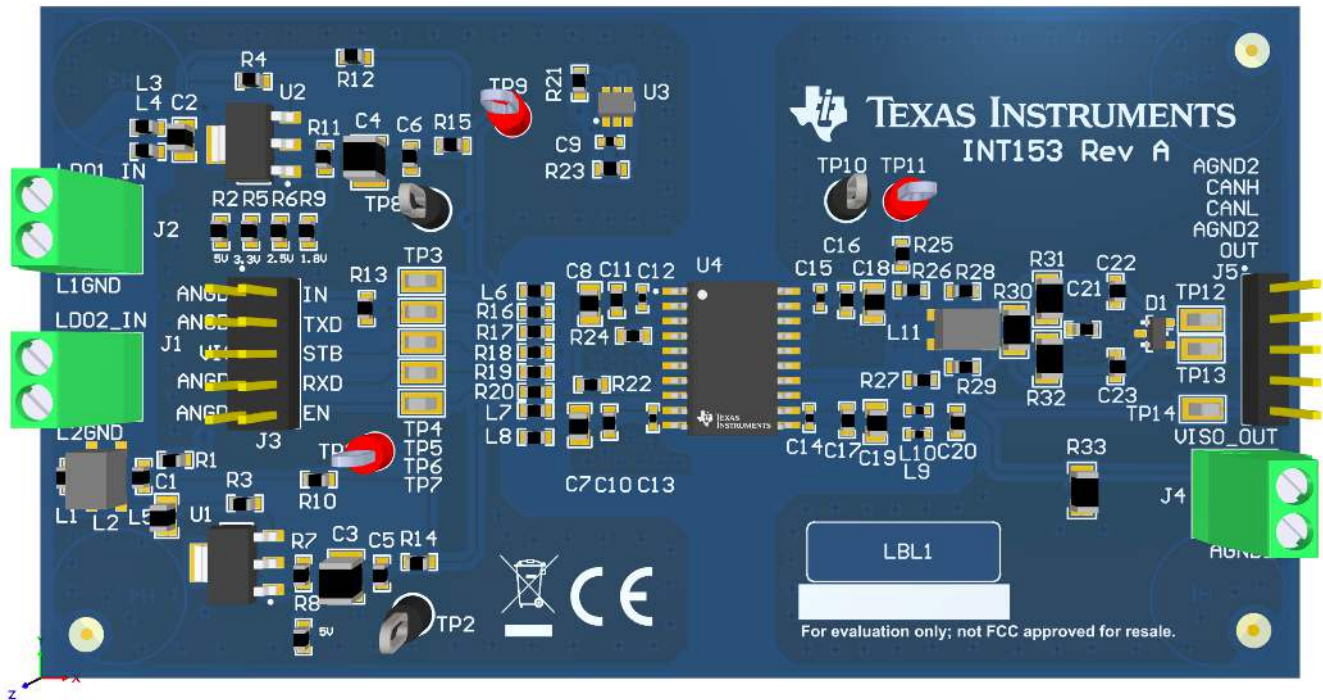


Figure 6-3. ISOW1044DFMEVM PCB 3D Diagram

7 Bill of Materials

Table 7-1 lists the bill of materials (BOM) for this EVM.

Table 7-1. Bill of Materials

| Item | Designator | Description | Manufacturer | PartNumber | Quantity |
|------|---|---|---------------------------|---------------------|----------|
| 1 | C1, C2, C7, C8, C18, C19 | CAP, CERM, 10 μ F, 35 V, +/- 10%, X5R, 0805 | MuRata | GRM21BR6YA106KE43L | 6 |
| 2 | C3, C4 | CAP, CERM, 47 μ F, 16 V, +/- 10%, X5R, 1210 | Samsung Electro-Mechanics | CL32A476KOJNNNE | 2 |
| 3 | C5, C6, C10, C11, C16, C17, C20 | CAP, CERM, 1 μ F, 50 V, +/- 10%, X5R, 0603 | Samsung Electro-Mechanics | CL10A105KA8NNNC | 7 |
| 4 | C9, C12, C15 | CAP, CERM, 0.1 μ F, 16 V, +/- 10%, X7R, 0402 | Walsin | CL05B104KO5NNNC | 3 |
| 5 | C13, C14 | CAP, CERM, 0.01 μ F, 50 V, +/- 10%, X7R, 0402 | Walsin | 0402B103K500CT | 2 |
| 6 | C21 | CAP, CERM, 4700 pF, 50 V, +/- 10%, X7R, 0603 | Kemet | C0603C472K5RACTU | 1 |
| 7 | H1, H2, H3, H4 | Bumpon, Hemisphere, 0.44 X 0.20, Clear | 3M | SJ-5303 (CLEAR) | 4 |
| 8 | J1, J2, J4 | Conn Term Block, 2POS, 3.5mm, TH | Phoenix Contact | 1751248 | 3 |
| 9 | J3 | Header, 100mil, 5x2, Gold, TH | Samtec | TSW-105-07-G-D | 1 |
| 10 | J5 | Header, 100mil, 5x1, Gold, TH | Samtec | TSW-105-07-G-S | 1 |
| 11 | L1, L3, L4, L5, L6, L7, L8 | Ferrite Bead, 1500 ohm @ 100 MHz, 0.5 A, 0603 | MuRata | BLM18HE152SN1D | 7 |
| 12 | L9, L10 | Ferrite Bead, 330 ohm @ 100 MHz, 1.1 A, 0402 | MuRata | BLM15EX331SN1D | 2 |
| 13 | LBL1 | Thermal Transfer Printable Labels, 0.650" W x 0.200" H - 10,000 per roll | Brady | THT-14-423-10 | 1 |
| 14 | R2, R8 | RES, 732, 1%, 0.1 W, 0603 | Yageo | RC0603FR-07732RL | 2 |
| 15 | R3, R4, R14, R15, R25, R26, R28, R29 | RES, 0, 5%, 0.1 W, 0603 | Yageo | RC0603JR-070RL | 8 |
| 16 | R7, R11 | RES, 240, 1%, 0.1 W, 0603 | Yageo | RC0603FR-07240RL | 2 |
| 17 | R16, R17, R18, R19, R20, R27 | RES, 1.00 k, 1%, 0.1 W, 0603 | Yageo | RC0603FR-071KL | 6 |
| 18 | R22, R24 | RES, 4.70 k, 1%, 0.1 W, 0603 | Yageo | RC0603FR-074K7L | 2 |
| 19 | R23 | RES, 200 k, 1%, 0.1 W, 0603 | Yageo | RC0603FR-07200KL | 1 |
| 20 | R31, R32 | RES, 59.0, 1%, 0.25 W, AEC-Q200 Grade 0, 1206 | Vishay-Dale | CRCW120659R0FKEA | 2 |
| 21 | TP1, TP9, TP11 | Test Point, Red, Through Hole, RoHS, Bulk | Keystone | 5010 | 3 |
| 22 | TP2, TP8, TP10 | Test Point, Multipurpose, Black, TH | Keystone | 5011 | 3 |
| 23 | TP3, TP4, TP5, TP6, TP7, TP12, TP13, TP14 | Test Point, Miniature, SMT | Keystone | 5015 | 8 |
| 24 | U1, U2 | 3/4 Pin 500mA Adjustable Positive Voltage Regulator, DCY0004A (SOT-223-4) | Texas Instruments | LM317MDCY | 2 |
| 25 | U3 | Resistor Set SOT-23 Oscillator, 2.7 to 5.5 V, 6-pin SOT23 (S6-6), -40 to 85 degC, Pb-Free | Linear Technology | LTC6908HS6-1#TRMPBF | 1 |
| 26 | U4 | Reinforced 5-kVRMS Isolated CAN Transceiver with Integrated lowemissions DC-DC Converter | Texas Instruments | ISOW1044DFM | 1 |
| 27 | C22, C23 | CAP, CERM, 68 pF, 100 V, +/- 5%, C0G/NP0, 0603 | MuRata | GRM1885C2A680JA01D | 0 |
| 28 | D1 | Diode, TVS, Bi, 24 V, 41 Vc, AEC-Q101, SOT-23 | NXP Semiconductor | PESD2CAN,215 | 0 |
| 30 | L11 | Coupled inductor, 51 μ H, 0.2 A, 1 ohm, AEC-Q200 Grade 0, SMD | TDK | ACT45B-510-2P-TL003 | 0 |
| 35 | R30 | RES, 120, 5%, 0.25 W, AEC-Q200 Grade 0, 1206 | Vishay-Dale | CRCW1206120RJNEA | 0 |

IMPORTANT NOTICE AND DISCLAIMER

TI PROVIDES TECHNICAL AND RELIABILITY DATA (INCLUDING DATA SHEETS), DESIGN RESOURCES (INCLUDING REFERENCE DESIGNS), APPLICATION OR OTHER DESIGN ADVICE, WEB TOOLS, SAFETY INFORMATION, AND OTHER RESOURCES "AS IS" AND WITH ALL FAULTS, AND DISCLAIMS ALL WARRANTIES, EXPRESS AND IMPLIED, INCLUDING WITHOUT LIMITATION ANY IMPLIED WARRANTIES OF MERCHANTABILITY, FITNESS FOR A PARTICULAR PURPOSE OR NON-INFRINGEMENT OF THIRD PARTY INTELLECTUAL PROPERTY RIGHTS.

These resources are intended for skilled developers designing with TI products. You are solely responsible for (1) selecting the appropriate TI products for your application, (2) designing, validating and testing your application, and (3) ensuring your application meets applicable standards, and any other safety, security, regulatory or other requirements.

These resources are subject to change without notice. TI grants you permission to use these resources only for development of an application that uses the TI products described in the resource. Other reproduction and display of these resources is prohibited. No license is granted to any other TI intellectual property right or to any third party intellectual property right. TI disclaims responsibility for, and you will fully indemnify TI and its representatives against, any claims, damages, costs, losses, and liabilities arising out of your use of these resources.

TI's products are provided subject to [TI's Terms of Sale](#) or other applicable terms available either on [ti.com](#) or provided in conjunction with such TI products. TI's provision of these resources does not expand or otherwise alter TI's applicable warranties or warranty disclaimers for TI products.

TI objects to and rejects any additional or different terms you may have proposed.

Mailing Address: Texas Instruments, Post Office Box 655303, Dallas, Texas 75265
Copyright © 2022, Texas Instruments Incorporated